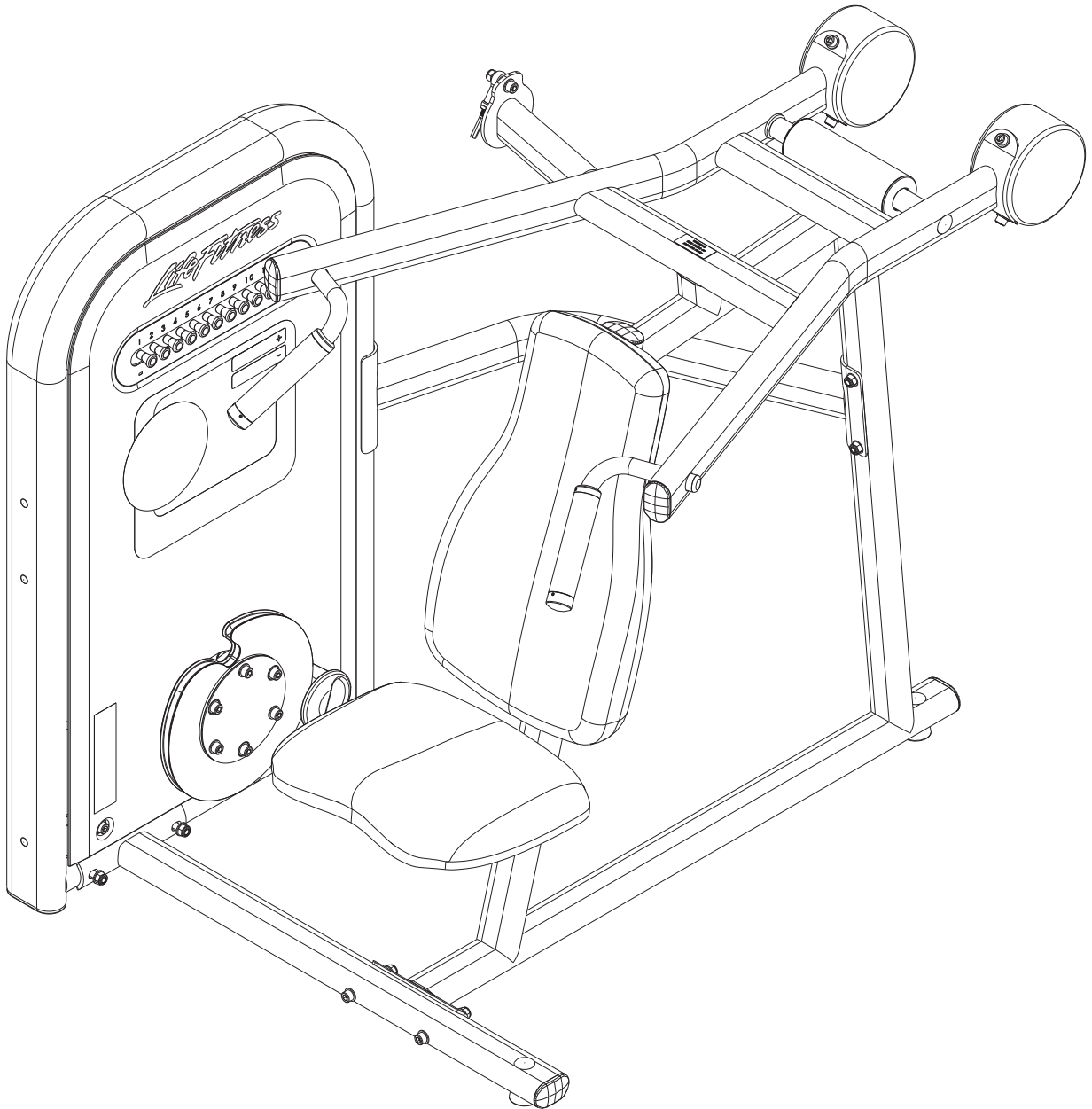




CIRCUIT SERIES
TCSP
SHOULDER PRESS



Customer Support Services
PARTS LIST

TCSP SHOULDER PRESS

Contents

COMPONANT ASSEMBLY	pg.3
COMPONANT ASSEMBLY LEGEND	4
WORKARM ASSEMBLY	5
FRONT BRACE ASSEMBLY	6
SEAT FRAME ASSEMBLY	7
FRONT SHROUD ASSEMBLY	8
TOWER ASSEMBLY	9
TOWER ASSEMBLY LEGEND	10
TOWER HEADER ASSEMBLY	11
REAR SHROUD	12
IMAGE	13

COLOR LEGEND

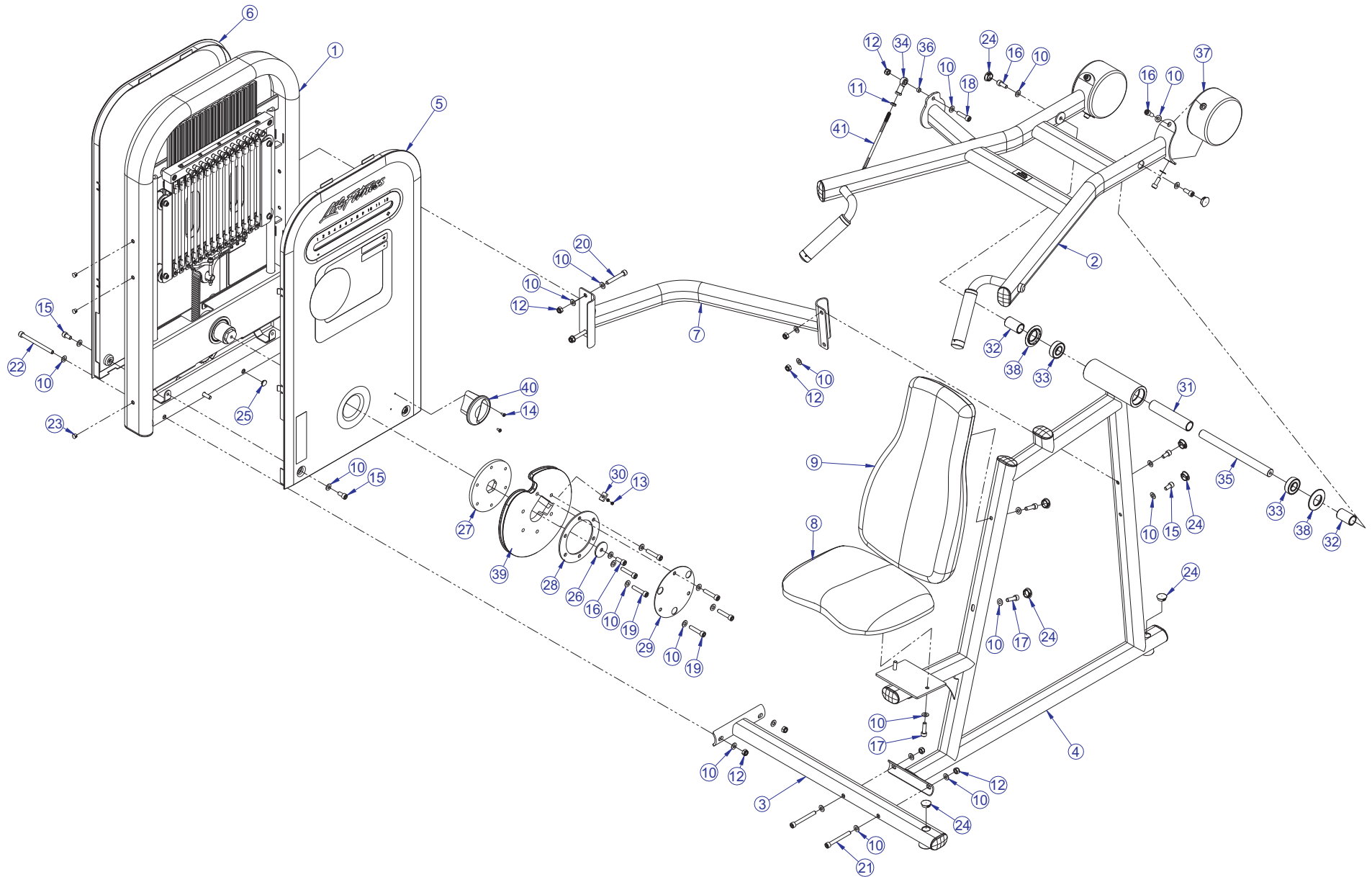
Item numbers ending in 'XX' require paint color.
Replace last two digits from the corresponding code.

01 = White

02 = Platinum

99 = Custom Paint

TCSP SHOULDER PRESS COMPONENT ASSEMBLY

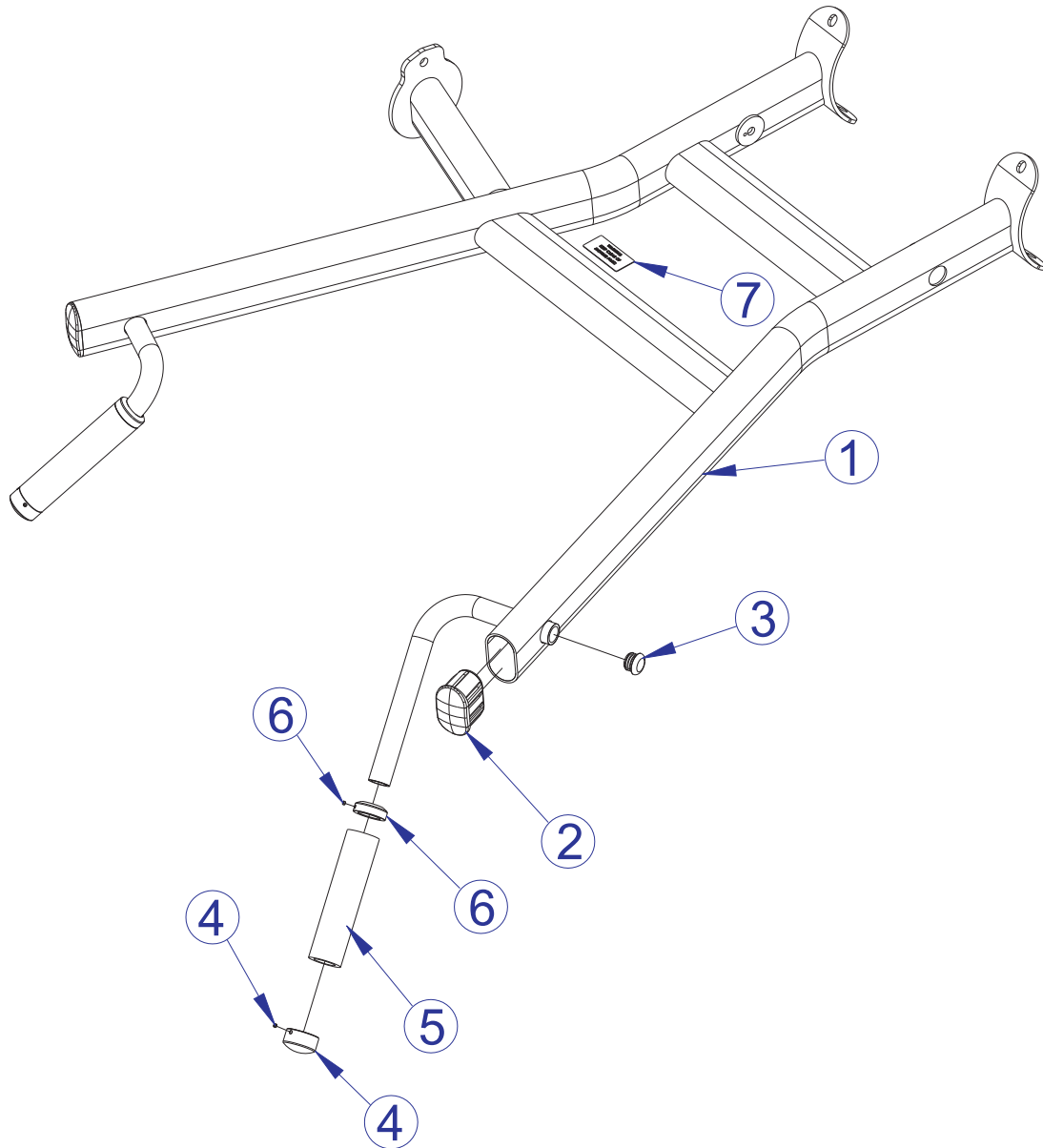


SEE PAGE 4 FOR LEGEND

TCSP SHOULDER PRESS COMPONANT ASSEMBLY LEGEND

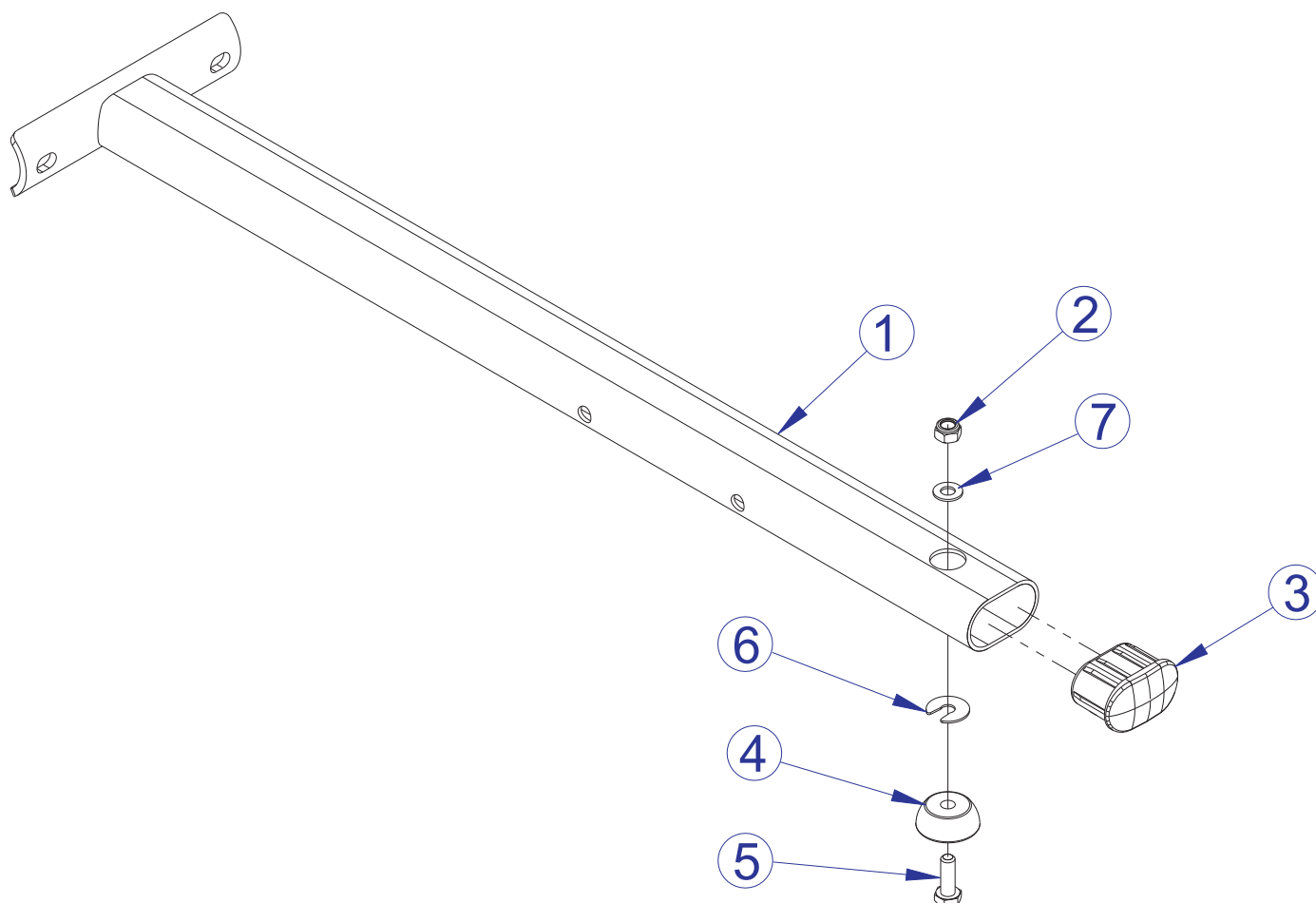
ITEM NO.	QTY.	PART NO.	DESCRIPTION
1	1	79854XX	ASSY, TC-TOWER, FINAL
2	1	80151XX	ASSY, TCSP, WORK ARM
3	1	80152XX	ASSY,TCSP, FRONT BRACE
4	1	80153XX	ASSY,TCSP, SEAT FRAME
5	1	8024709	ASSY,TC-TOWER, SHROUD FRONT, TCSP
6	1	8024809	ASSY, TC-TOWER, SHROUD REAR, TCSP
7	1	79754XX	WLDMT, TCSP, REAR BRACE
8	1	7297201	PAD, LARGE CHAIR
9	1	7474101	PAD, LARGE BACK
10	38	3102514	WASHER, FLAT 3/8" SAE ST ZN
11	1	3236901	NUT, M10 X 1.5 JAM
12	9	3242002	NUT, M10 X 1.5 HEX NYLOCK
13	2	3247501	NUT, M5 X 0.8 HEX JAM ST ZN
14	2	3239101	SCREW, M5X10 PHL PAN TT ST
15	6	3251701	SCREW, M10 X1.5 20MM
16	7	3251702	SCREW, M10 X1.5 25MM
17	4	3251704	SCREW, M10 X1.5 35MM
18	1	3251705	SCREW, M10 X1.5 40MM
19	6	3251707	SCREW, M10 X1.5 50MM
20	2	3251711	SCREW, M10 X1.5 70MM
21	2	3251715	SCREW, M10 X1.5 90MM
22	2	3251720	SCREW, M10 X1.5 130MM
23	3	3237401	PLUG, 7/16" HOLE
24	8	3237403	PLUG, 1" HOLE
25	4	7646801	PLUG, CURVED HOLE
26	1	7322301	PLATE, 1.97 OD X .44 ID 10GA
27	1	7998495	PLATE, TC TOWER, OUTPUT
28	1	7998895	PLATE, TC-TOWER, RING
29	1	7998995	PLATE, TC-TOWER, COVER
30	1	8001801	PLATE,TC, CABLE RETAIN.
31	1	7330005	SPACER, INTERNAL X 6.265
32	2	7330009	SPACER, INTERNAL X 2.121
33	2	3235601	BEARING, 6205 BALL
34	1	3237901	ROD END, METRIC FEMALE
35	1	7316507	SHAFT, 25MM X 11.631
36	1	7489402	BSHNG, .500 OD X .402 ID
37	2	7802001	COUNTER WEIGHT, LARGE - COATED
38	2	7922701	CAP, BEARING HSNG W/ HOLE
39	1	7998501	CAM, TC, OUTPUT
40	1	8013201	GUARD, TC-TOWER, CAM
41	1	8015401	CABLE, TCSP

TCSP SHOULDER PRESS WORKARM ASSEMBLY - 80151XX



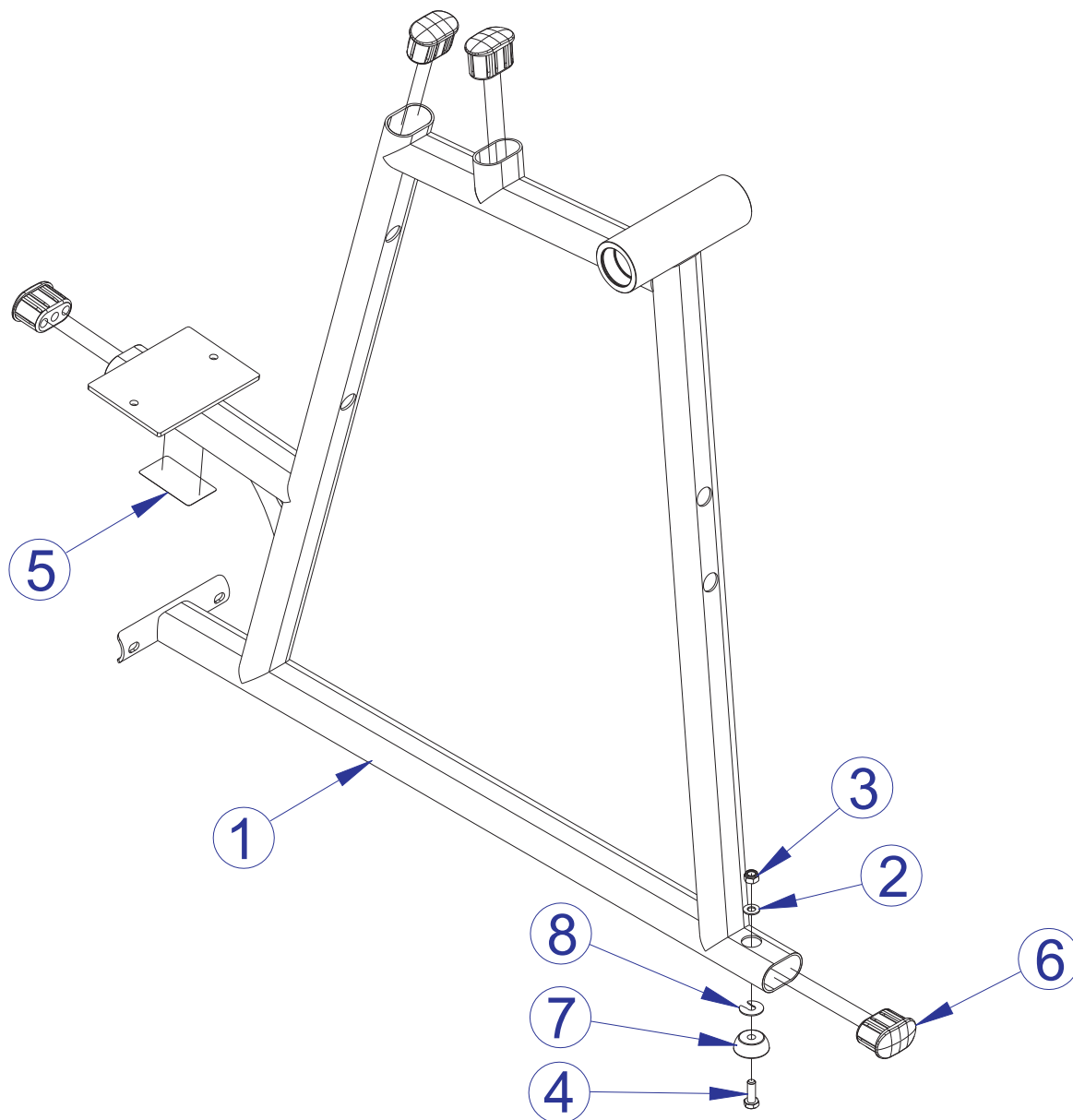
ITEM NO.	QTY.	PART NO.	DESCRIPTION
1	1	80151XX	ASSY, TCSP, WORKARM
2	2	7800501	CAP, SML FLOV END
3	2	3119304	CAP, END 1.00 DIA RD 10-12 GA
4	2	7662902	CAP, GRIP 1.50 OD
5	2	3235802	GRIP, 1.50 OD
6	2	7662802	RING, GRIP 1.50 OD
7	1	8031701	LABEL, WARNING, 2.43 X 1.06

TCSP SHOULDER PRESS FRONT BRACE ASSEMBLY - 80152XX



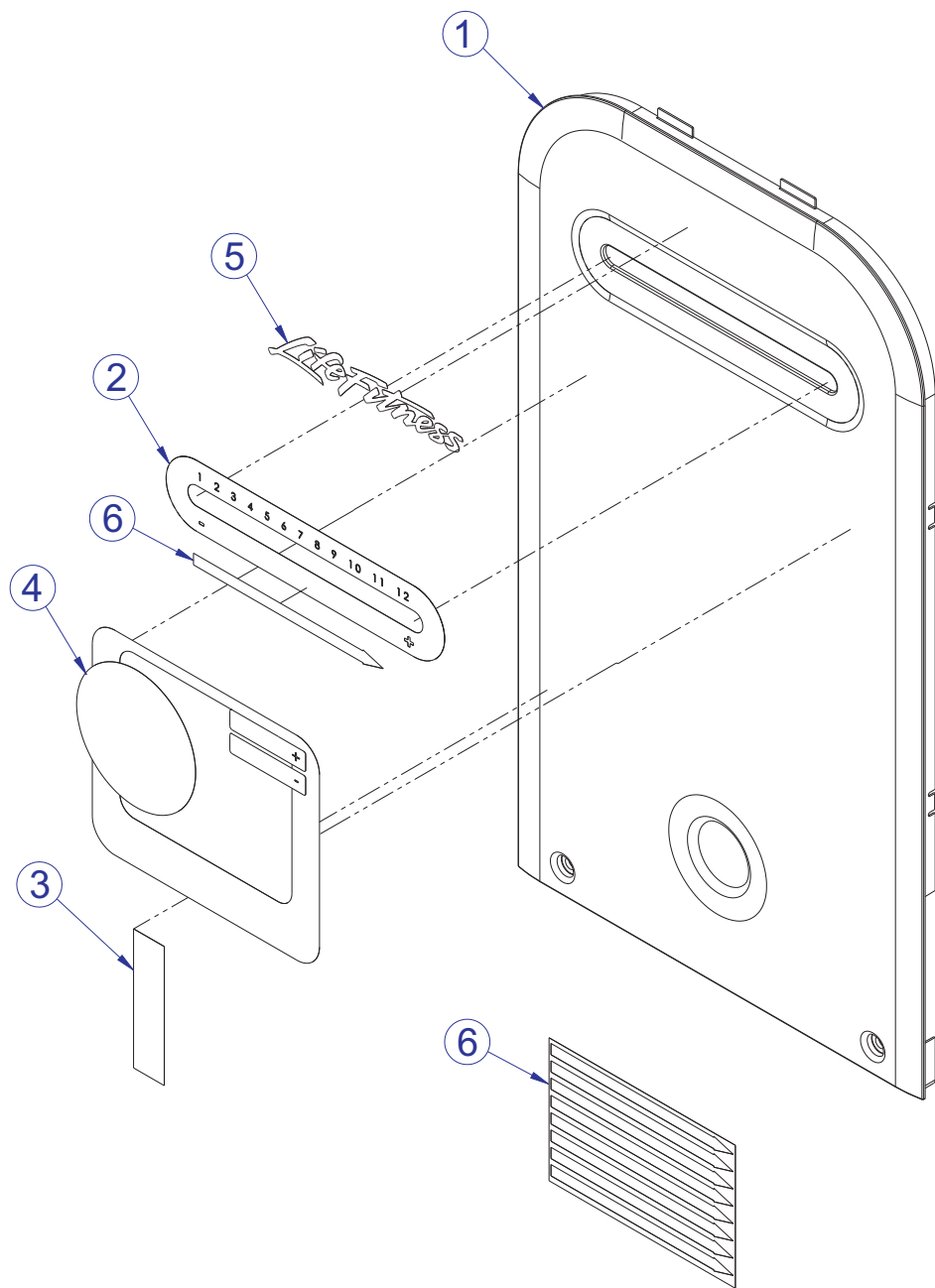
ITEM NO.	QTY.	PART NO.	DESCRIPTION
1	1	80152XX	ASSY, TCSP, FRONT BRACE
2	1	3242002	NUT, M10 X 1.5 HEX NYLOCK
3	1	7800501	CAP, SML FLOV END
4	1	7893001	FOOT, LEVELER
5	1	3251203	SCREW, M10 X1.5 X 30MM UNS HEX CS ST ZN
6	1	7893101	SHIM, FOOT LEVELER
7	1	3102514	WASHER, FLAT 3/8" SAE ST ZN

TCSP SHOULDER PRESS SEAT FRAME ASSEMBLY - 80153XX



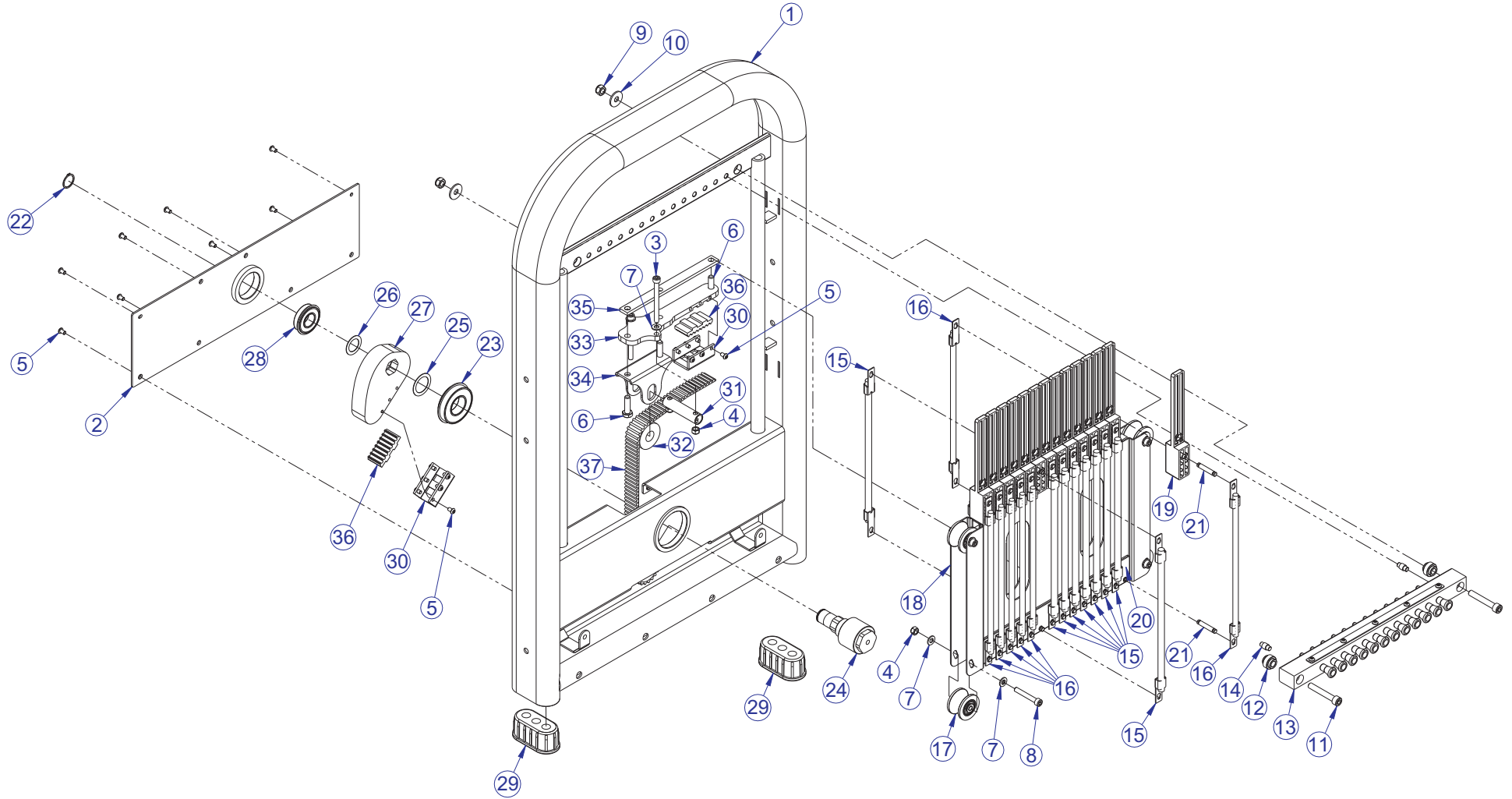
ITEM NO.	QTY.	PART NO.	DESCRIPTION
1	1	80153XX	ASSY, TCSP, SEAT FRAME
2	1	3102514	WASHER, FLAT 3/8" SAE ST ZN
3	1	3242002	NUT, M10 X 1.5 HEX NYLOCK
4	1	3251203	SCREW, M10 X1.5 X 30MM UNS HEX CS ST ZN
5	1	7571301	LABEL, SERIAL NUMBER
6	4	7800501	CAP, SML FLOV END
7	1	7893001	FOOT, LEVELER
8	1	7893101	SHIM, FOOT LEVELER

TCSP SHOULDER PRESS FRONT SHROUD ASSEMBLY - 8024709



ITEM NO.	QTY.	PART NO.	DESCRIPTION
1	1	8012601	SHROUD, TC-TOWER, FRONT
2	1	8024601	LABEL, TC, SELECTOR
3	1	7422004	LABEL, 2" ASTM WARN
4	1	8025209	LABEL, INSTR, STRENGTH CIRCUIT, TCSP
5	1	8037701	LABEL, TC, LIFE FITNESS
6	1	8047101	LABEL, TC, SELECTOR, MULTI-LANGUAGE

TCSP SHOULDER PRESS TOWER ASSEMBLY - 79854XX

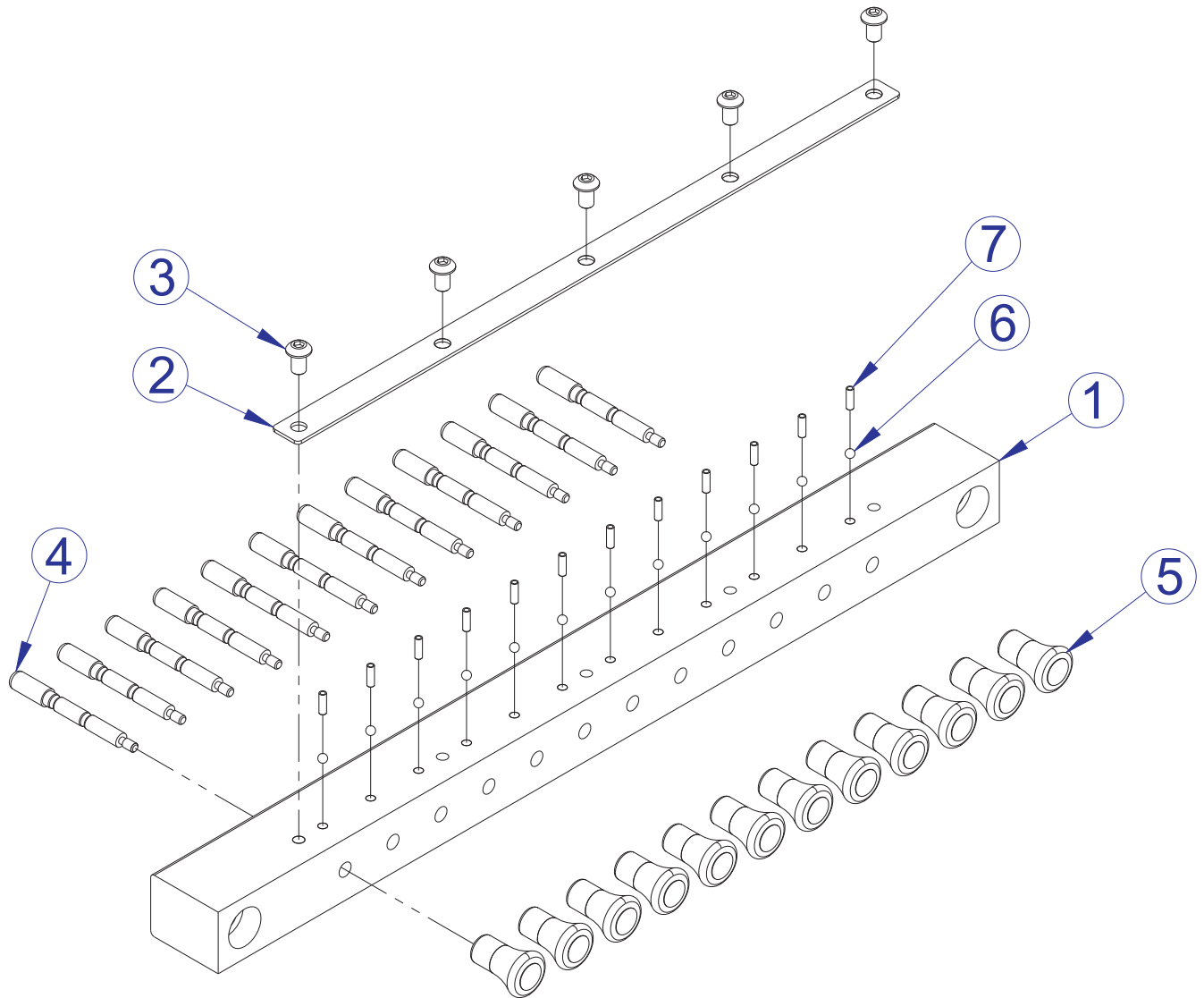


SEE PAGE 10 FOR LEGEND

TCSP SHOULDER PRESS TOWER ASSEMBLY LEGEND

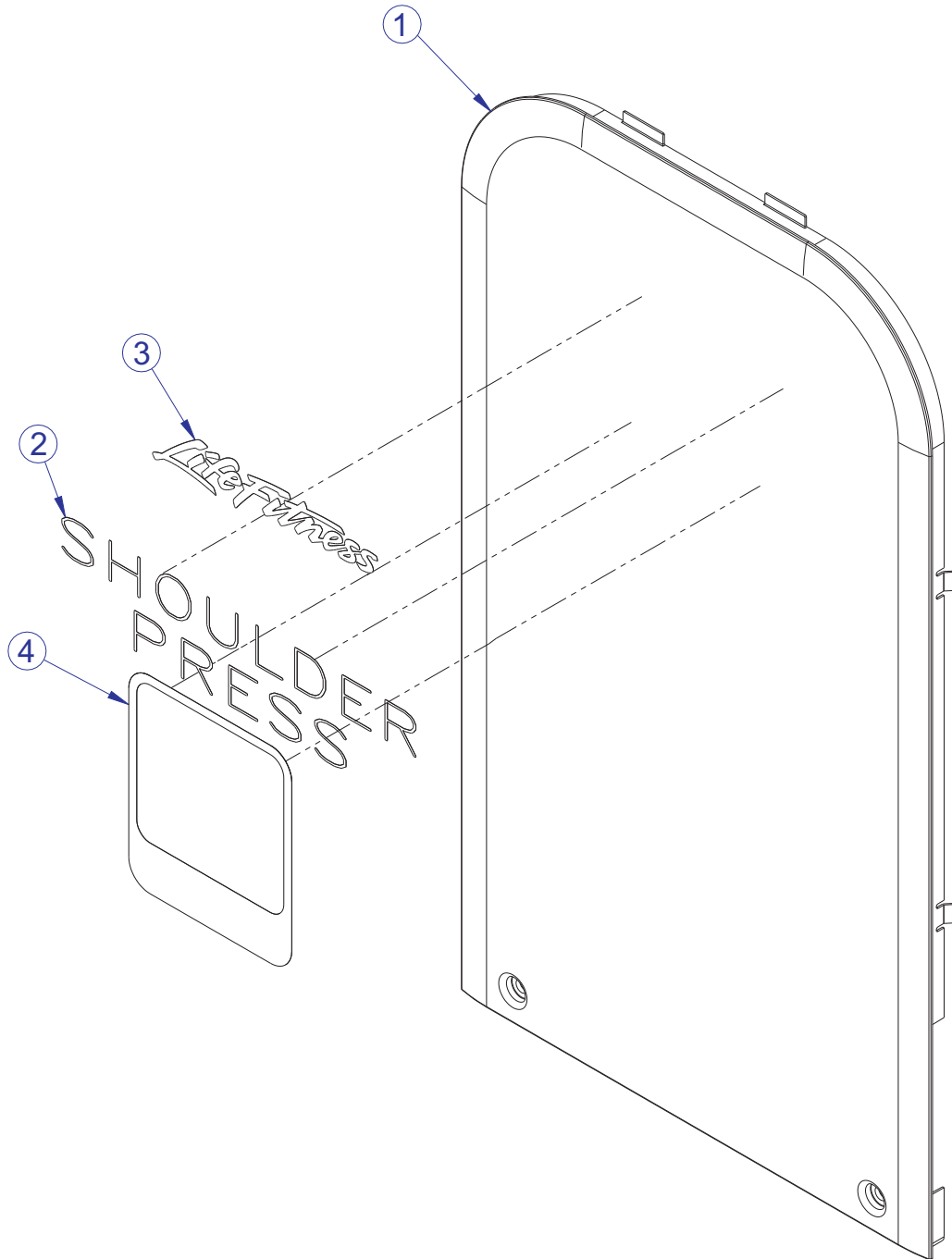
ITEM NO.	QTY.	PART NO.	DESCRIPTION
1	1	79855XX	WLDMT, TC-TOWER, FRAME
2	1	79856XX	WLDMT, TC-TOWER, COVER
3	2	3253915	SCREW, M8 X1.25 90MM
4	6	3242004	NUT, M8 X 1.25 HEX NYLOCK
5	20	3252802	M6-1.0 X 10 HXS BUT CS ST ZN
6	3	3251204	SCREW, M10 X1.5 X 35MM UNS HEX CS ST ZN
7	10	3102509	WASHER, TYPE A PLAIN
8	4	3253908	SCREW, M8 X1.25 55MM
9	2	3242002	NUT, M10 X 1.5 HEX NYLOCK
10	2	3257401	WASHER, FLAT, ST, ZN
11	2	3251710	SCREW, M10 X1.5 65MM
12	2	7996101	SPACER, TC-TOWER, HEADER
13	1	7995801	ASSY, TC-TOWER, HEADER
14	2	8015701	PIN, TC-TOWER, BLOCK FIXED
15	16	8015001	ASSY, CORD, BUNGEE 1/2"
16	12	8014901	ASSY, CORD, BUNGEE 3/8"
17	4	8018401	ASSY, ROLLER
18	1	7985795	WLDMT, TC-TOWER, CARRIAGE
19	14	8013101	SELECT BLOCK, TC-TOWER
20	2	8013301	PLATE, BUNGEE SPACER
21	28	8015601	PIN, TC-TOWER, BUNGEE
22	1	3232420	RING, BRE .926, 5100-98 ST PP B
23	1	3256901	BEARING, 6207NR BALL
24	1	7995701	AXLE, TC-TOWER
25	1	7882701	SHIM, 1.225-1.75-.03
26	1	7882801	SHIM, 1.005-1.50-.03
27	1	8019901	CAM, TC-TOWER
28	1	3257001	BEARING, 6205NR BALL
29	2	8012901	CAP, MFLOV END
30	2	8019201	BRKT, TC-TOWER, BELT
31	1	8019501	SHAFT, TC-TOWER, PULLEY
32	1	8019701	ROLLER, TC-TOWER, BELT
33	1	8019401	PLATE, TC-TOWER, PULLEY MOUNT
34	1	8019301	BRKT, TC-TOWER, PULLEY
35	1	8024301	PLATE, TC-TOWER, SPACER
36	2	8019601	BLOCK, BELT, TC-TOWER
37	1	8026401	BELT, 30MM, KEVLAR

TCSP SHOULDER PRESS TOWER HEADER ASSEMBLY - 7995801



ITEM NO.	QTY.	PART NO.	DESCRIPTION
1	1	7995901	BAR, HEADER, FRONT
2	1	7996001	PLATE, SPRING RETAINER
3	5	3262001	M6-1.0 X 10 TORX BUT CS ST ZN
4	12	8020001	PIN, TC-TOWER, SELECTOR
5	12	8013001	KNOB, TC-TOWER, PIN
6	12	3265601	BALL, CHROME ALLOY STEEL X 3.5MM
7	12	3253202	SPRING, .12 DIA X .438 X .018 WIRE DIA

TCSP SHOULDER PRESS REAR SHROUD ASSEMBLY - 8024809



ITEM NO.	QTY.	PART NO.	DESCRIPTION
1	1	8012701	SHROUD, TC-TOWER, REAR
2	1	8024909	LABEL, STRENGTH CIRCUIT, TCSP
3	1	8037701	LABEL, TC, LIFE FITNESS
4	1	8038009	LABEL, TCSP, PLACARD REAR

TCSP SHOULDER PRESS IMAGE

