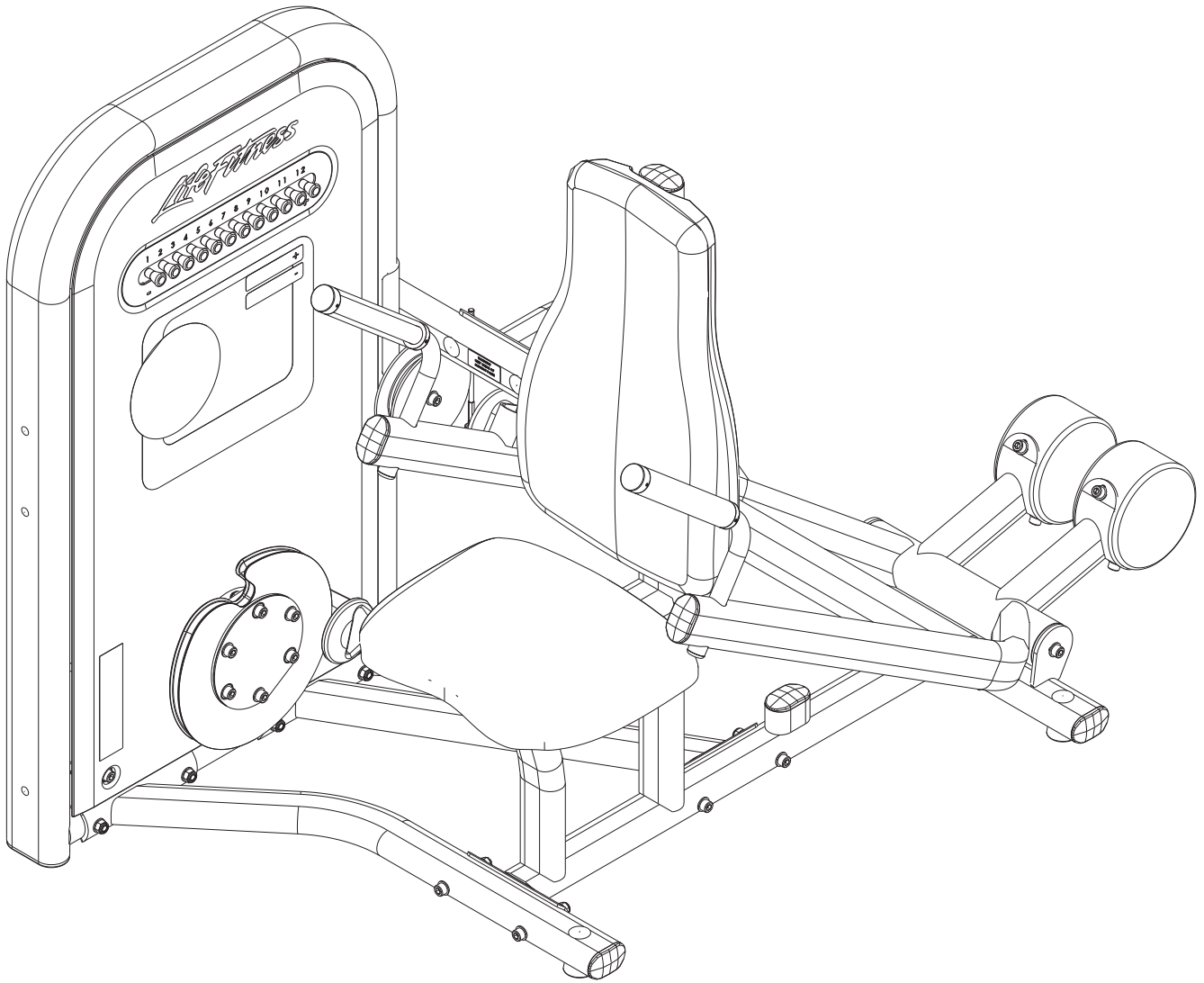




CIRCUIT SERIES
TCTP
TRICEPS PRESS



Customer Support Services
PARTS LIST

TCTP TRICEPS PRESS

Contents

COMPONANT ASSEMBLY	pg.3
COMPONANT ASSEMBLY LEGEND	4
SEAT FRAME ASSEMBLY	5
TOP BRACE ASSEMBLY	6
WORKARM ASSEMBLY	7
FRONT BRACE ASSEMBLY	8
BASE FRAME ASSEMBLY	9
FRONT SHROUD ASSEMBLY	10
TOWER ASSEMBLY	11
TOWER ASSEMBLY LEGEND	12
TOWER HEADER ASSEMBLY	13
REAR SHROUD	14
IMAGE	15

COLOR LEGEND

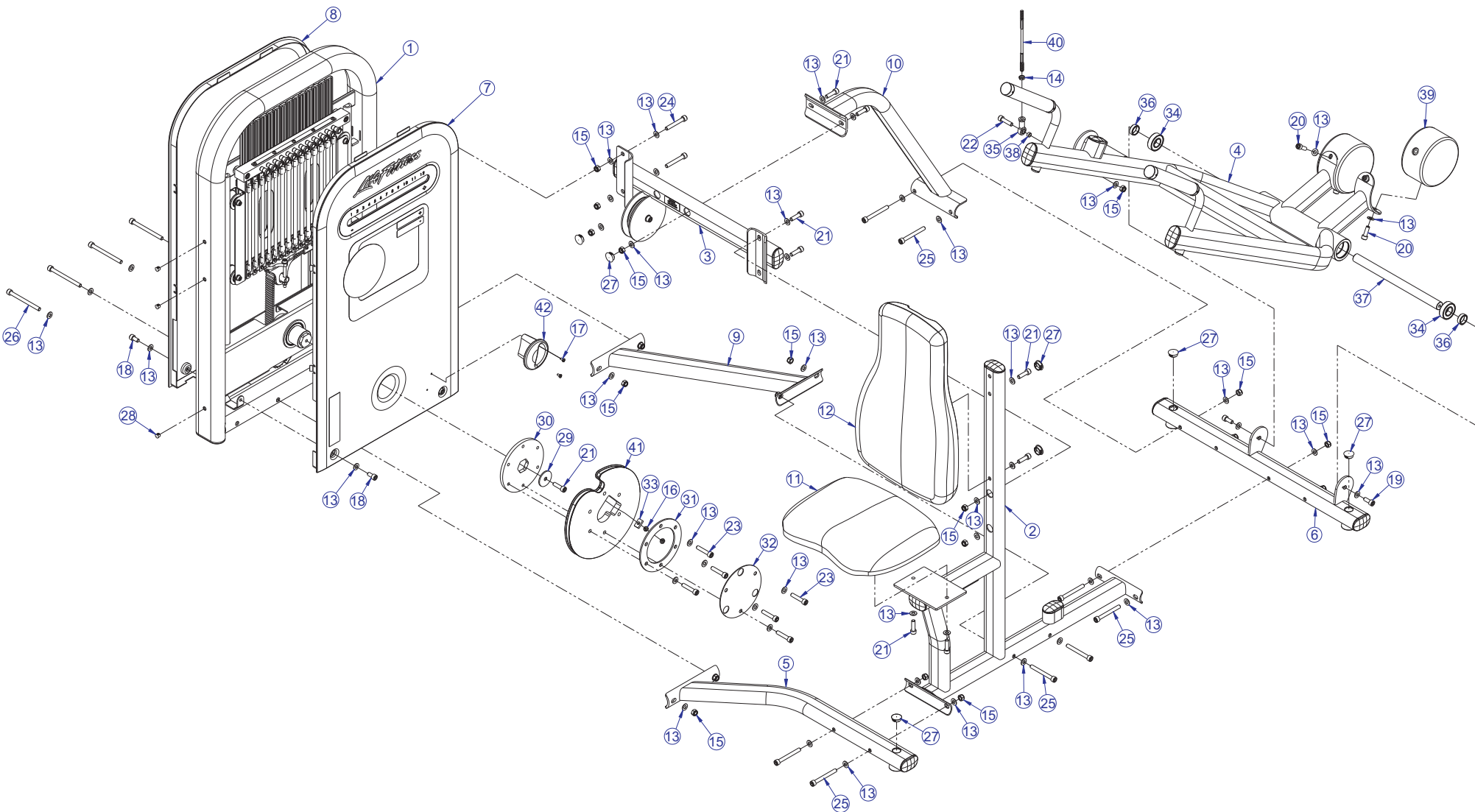
Item numbers ending in 'XX' require paint color.
Replace last two digits from the corresponding code.

01 = White

02 = Platinum

99 = Custom Paint

TCTP TRICEPS PRESS COMPONENT ASSEMBLY

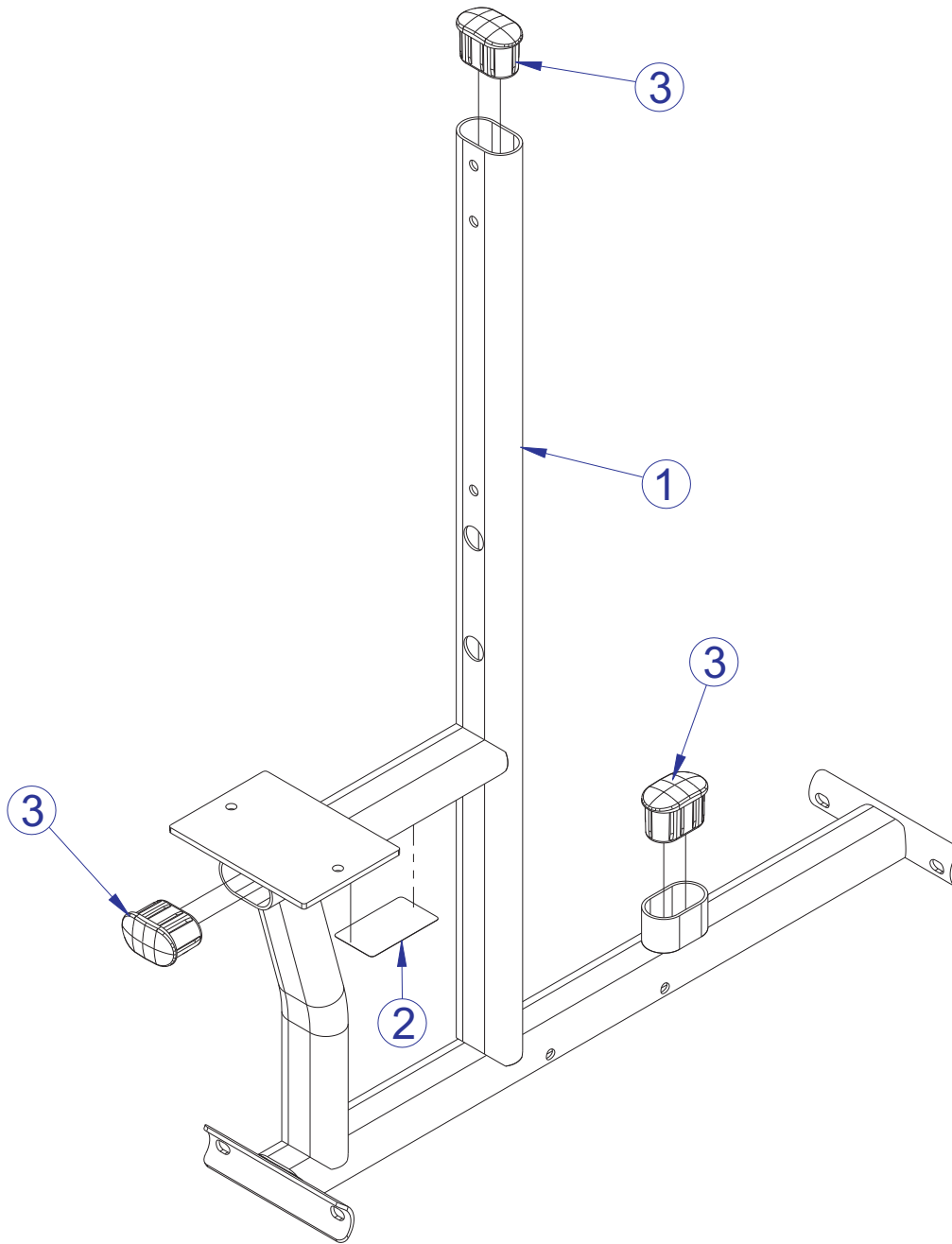


SEE PAGE 4 FOR LEGEND

TCTP TRICEPS PRESS COMPONANT ASSEMBLY LEGEND

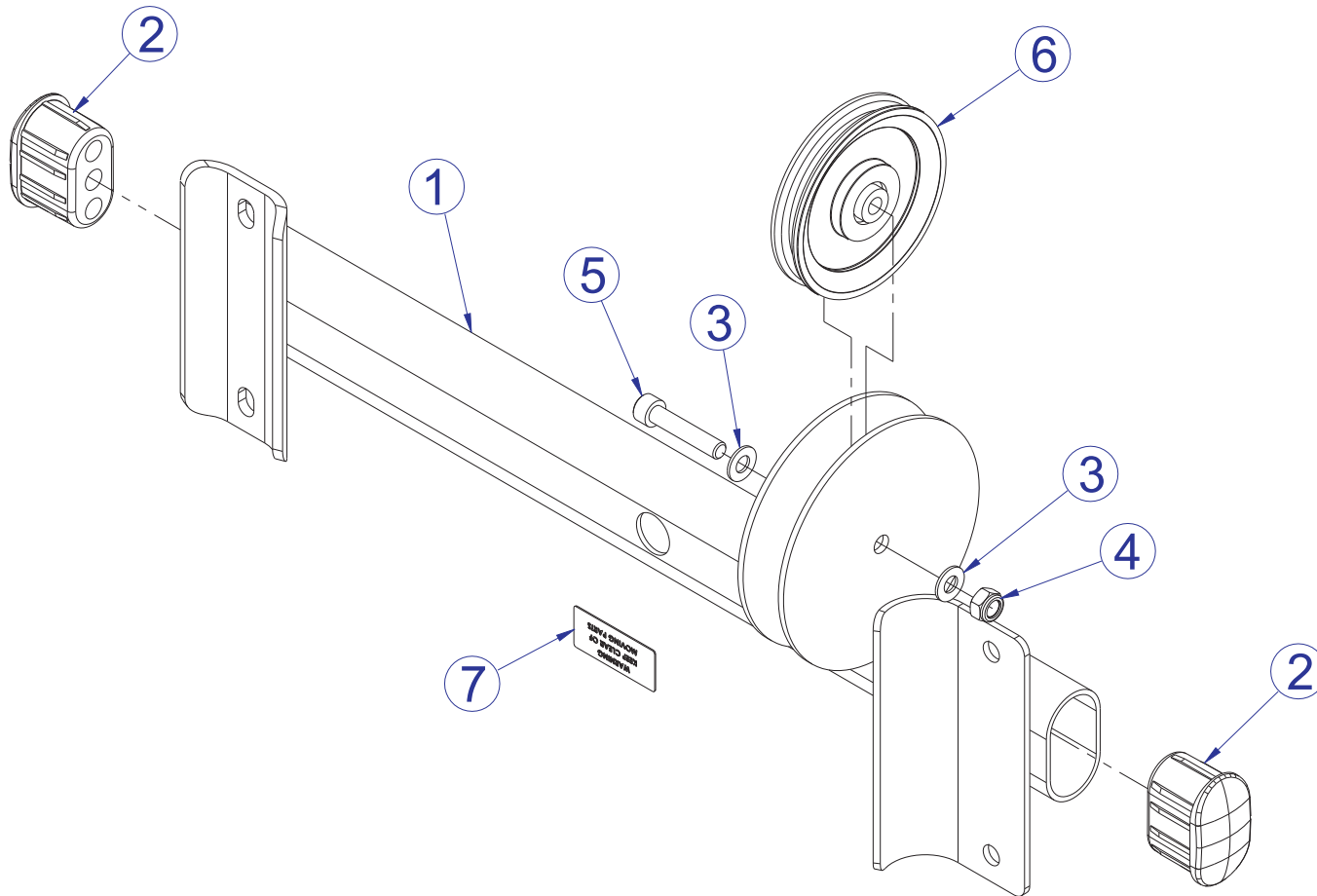
ITEM NO.	QTY.	PART NO.	DESCRIPTION
1	1	79854XX	ASSY, TC-TOWER, FINAL
2	1	80169XX	ASSY, TCTP, SEAT FRAME
3	1	80170XX	ASSY, TCTP, TOP BRACE
4	1	80171XX	ASSY, TCTP WORKARM
5	1	80172XX	ASSY, TCTP, FRONT BRACE
6	1	80173XX	ASSY, TCTP, BASE FRAME
7	1	8024710	ASSY, TC-TOWER, SHROUD FRONT, TCTP
8	1	8024810	ASSY, TC-TOWER, SHROUD REAR, TCTP
9	1	79910XX	WLDMT, TCTP REAR BRACE
10	1	79849XX	WLDMT, TCTP BACK BRACE
11	1	7297201	PAD, LARGE CHAIR
12	1	7474101	PAD, LARGE BACK
13	57	3102514	WASHER, FLAT 3/8" SAE ST ZN
14	1	3236901	NUT, M10 X 1.5 JAM
15	19	3242002	NUT, M10 X 1.5 HEX NYLOCK
16	2	3247502	NUT, M8 X 1.25 HEX JAM ST ZN
17	2	3239101	SCREW, M5X10 PHL PAN TT ST
18	4	3251701	SCREW, M10 X1.5 20MM
19	2	3251702	SCREW, M10 X1.5 25MM
20	4	3251703	SCREW, M10 X1.5 30MM
21	9	3251704	SCREW, M10 X1.5 35MM
22	1	3251705	SCREW, M10 X1.5 40MM
23	6	3251707	SCREW, M10 X1.5 50MM
24	2	3251711	SCREW, M10 X1.5 70MM
25	8	3251715	SCREW, M10 X1.5 90MM
26	4	3251719	SCREW, M10 X1.5 120MM
27	7	3237403	PLUG, 1" HOLE
28	3	3237401	PLUG, 7/16" HOLE
29	1	7322301	PLATE, 1.97 OD X .44 ID 10GA
30	1	7998495	PLATE, TC TOWER, OUTPUT
31	1	7998895	PLATE, TC-TOWER, RING
32	1	7998995	PLATE, TC-TOWER, COVER
33	1	8001801	PLATE,TC, CABLE RETAIN.
34	2	3235601	BEARING, 6205 BALL
35	1	3237901	ROD END, METRIC FEMALE
36	2	7330001	SPACER, INTERNAL X .403
37	1	7316508	SHAFT, 25MM X 13.740
38	1	7489402	BSHNG, .500 OD X .402 ID
39	2	7802001	COUNTER WEIGHT, LARGE - COATED
40	1	7993701	CABLE, TCTP
41	1	7998501	CAM, TC, OUTPUT
42	1	8013201	GUARD, TC-TOWER, CAM

TCTP TRICEPS PRESS SEAT FRAME ASSEMBLY - 80169XX



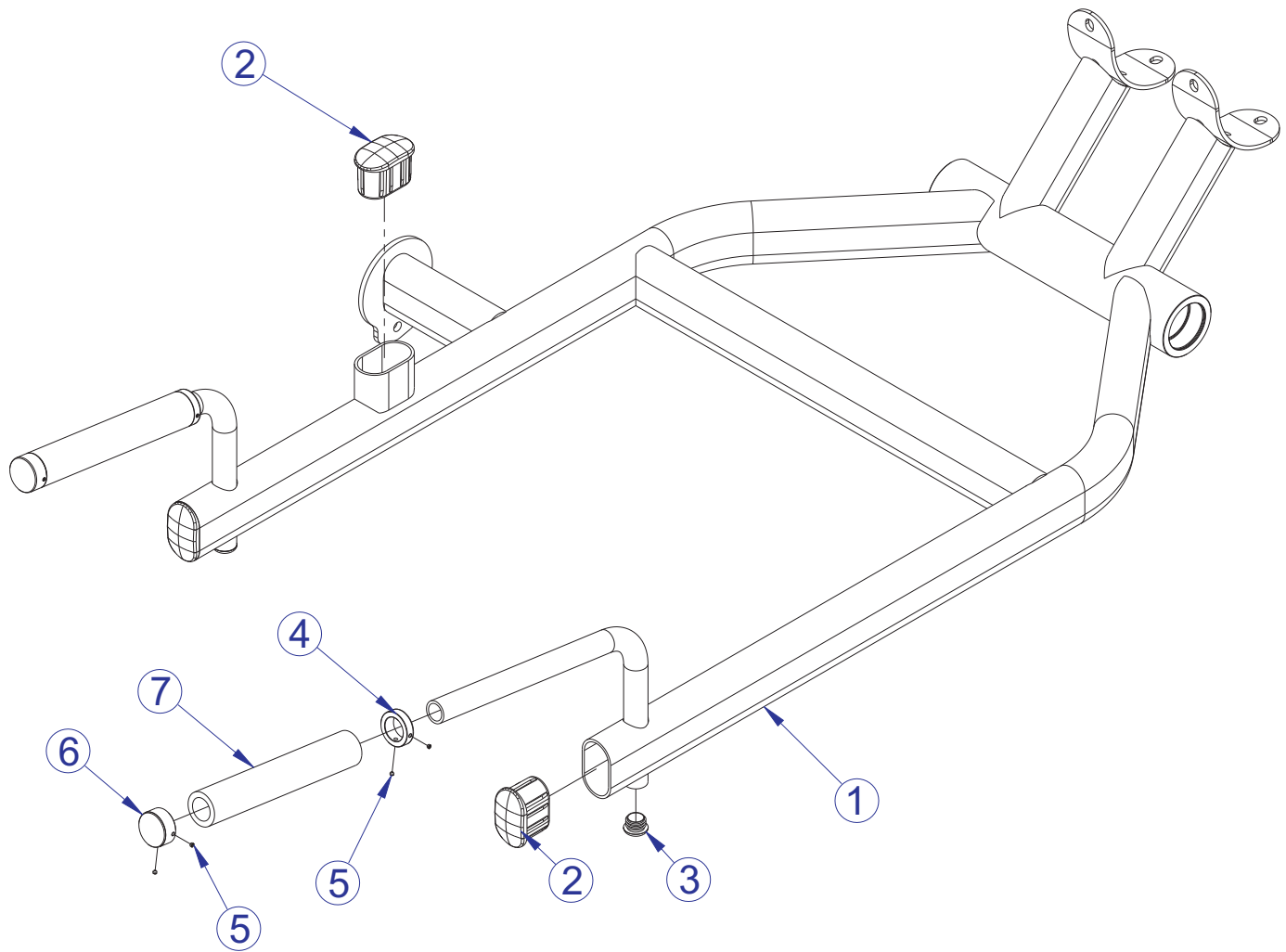
ITEM NO.	QTY.	PART NO.	DESCRIPTION
1	1	80169XX	ASSY, TCTP, SEAT FRAME
2	1	7571301	LABEL, SERIAL NUMBER
3	3	7800501	CAP, SML FLOV END

TCTP TRICEPS PRESS TOP BRACE ASSEMBLY - 80170XX



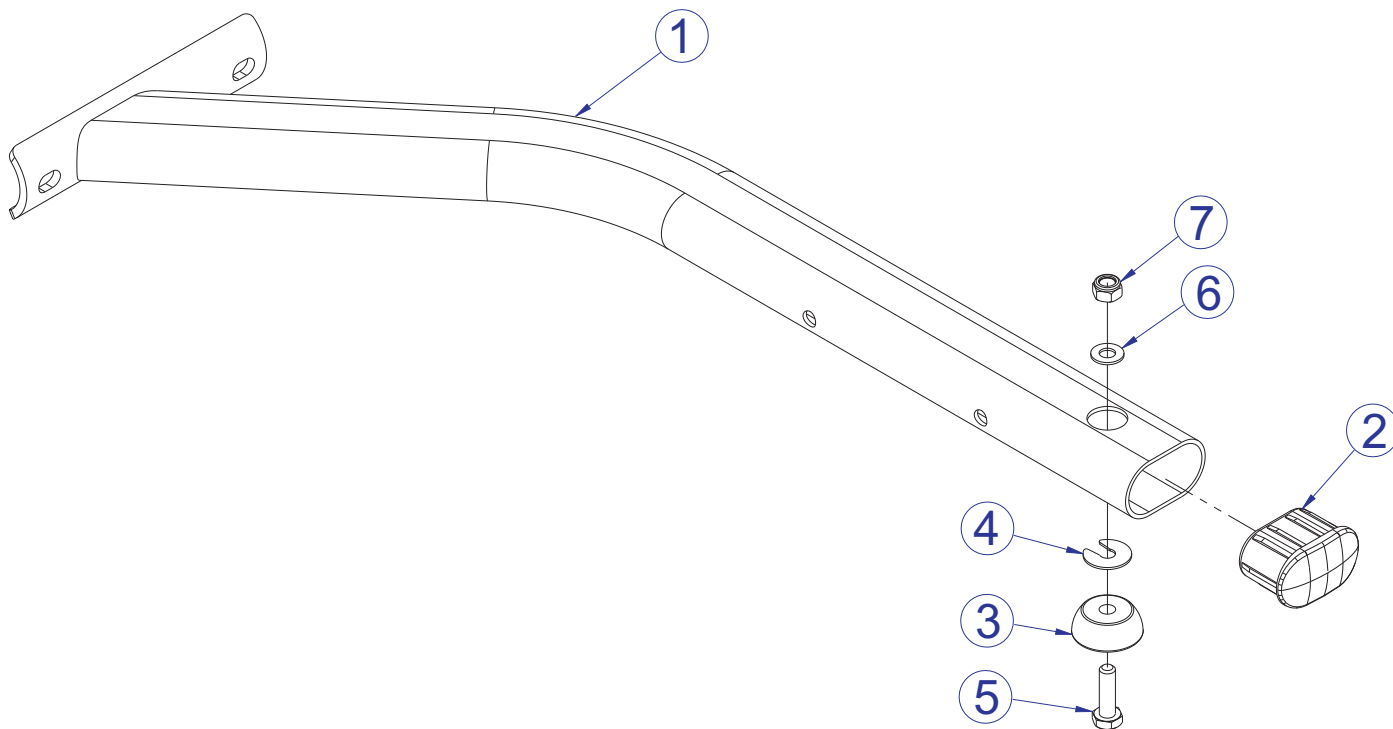
ITEM NO.	QTY.	PART NO.	DESCRIPTION
1	1	80170XX	ASSY, TCTP, TOP BRACE
2	2	7800501	CAP, SML FLOV END
3	2	3102514	WASHER, FLAT 3/8" SAE ST ZN
4	1	3242002	NUT, M10 X 1.5 HEX NYLOCK
5	1	3251707	SCREW, M10 X1.5 50MM
6	1	3237801	PULLEY, 4.5" OD
7	1	8031701	LABEL, WARNING, 2.43 X 1.06

TCTP TRICEPS PRESS WORKARM ASSEMBLY - 80171XX



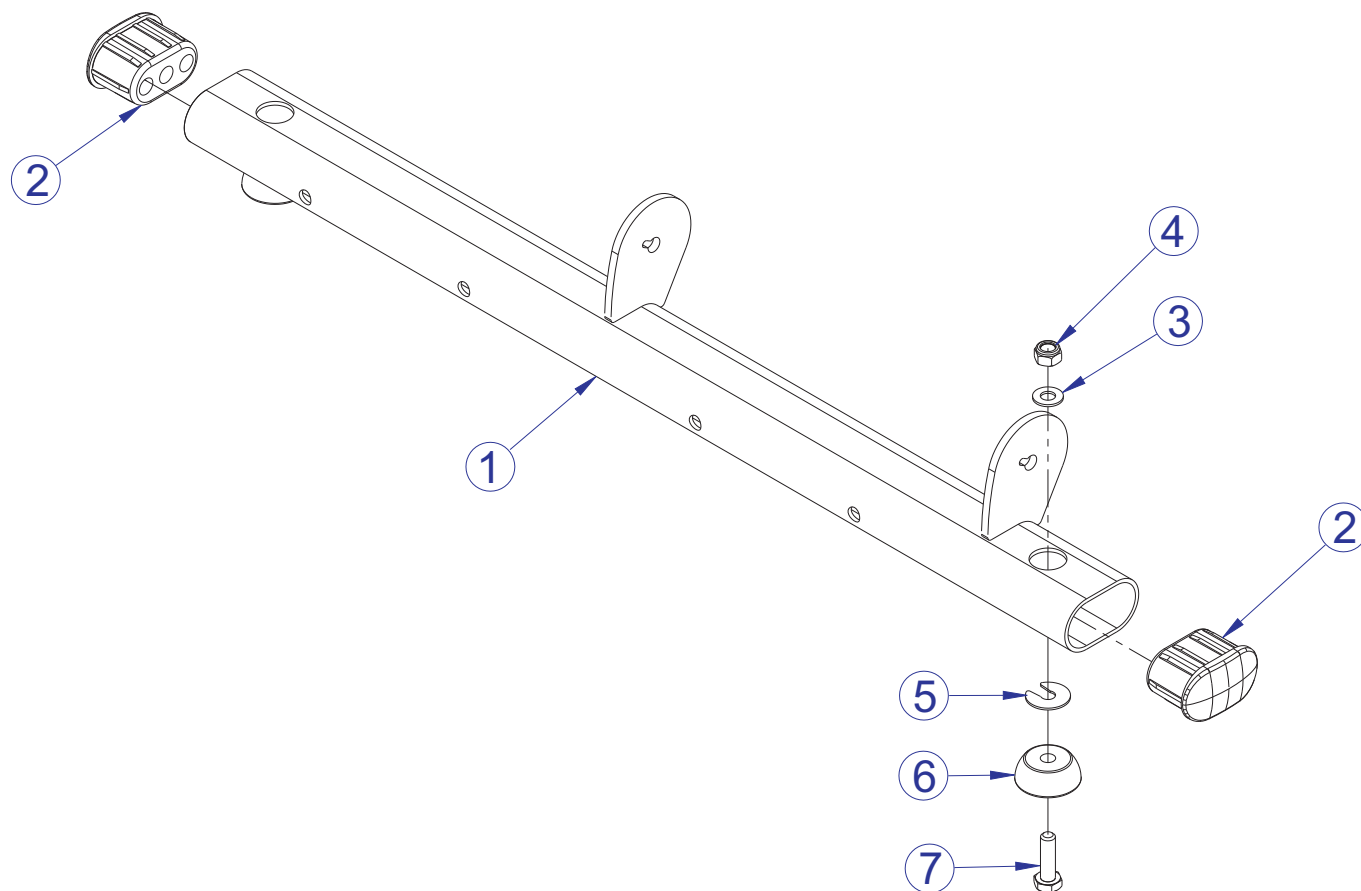
ITEM NO.	QTY.	PART NO.	DESCRIPTION
1	1	80171XX	ASSY, TCTP, WORKARM
2	3	7800501	CAP, SML FLOV END
3	2	3119304	CAP, END 1.00 DIA RD 10-12 GA
4	2	7662802	RING, GRIP 1.50 OD
5	8	LEA3247701	M4 X .7 HXS NO CUP ST BO
6	2	7662902	CAP, GRIP 1.50 OD
7	2	3235802	GRIP, 1.50 OD

TCTP TRICEPS PRESS FRONT BRACE ASSEMBLY - 80172XX



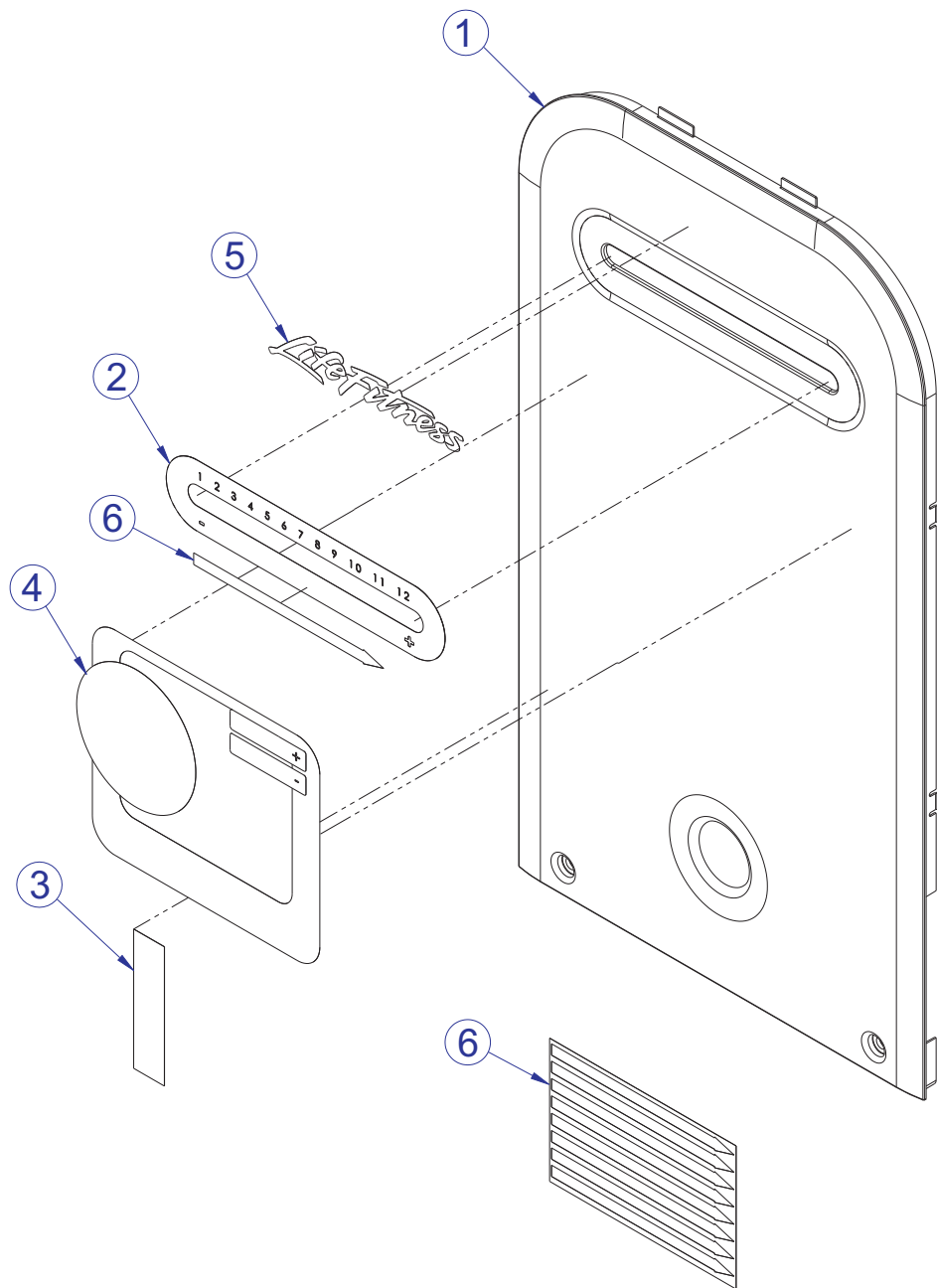
ITEM NO.	QTY.	PART NO.	DESCRIPTION
1	1	80172XX	ASSY, TCTP, FRONT BRACE
2	1	7800501	CAP, SML FLOV END
3	1	7893001	FOOT, LEVELER
4	1	7893101	SHIM, FOOT LEVELER
5	1	3251204	SCREW, M10 X1.5 X 35MM UNS HEX CS ST ZN
6	1	3102514	WASHER, FLAT 3/8" SAE ST ZN
7	1	3242002	NUT, M10 X 1.5 HEX NYLOCK

TCTP TRICEPS PRESS BASE FRAME ASSEMBLY - 80173XX



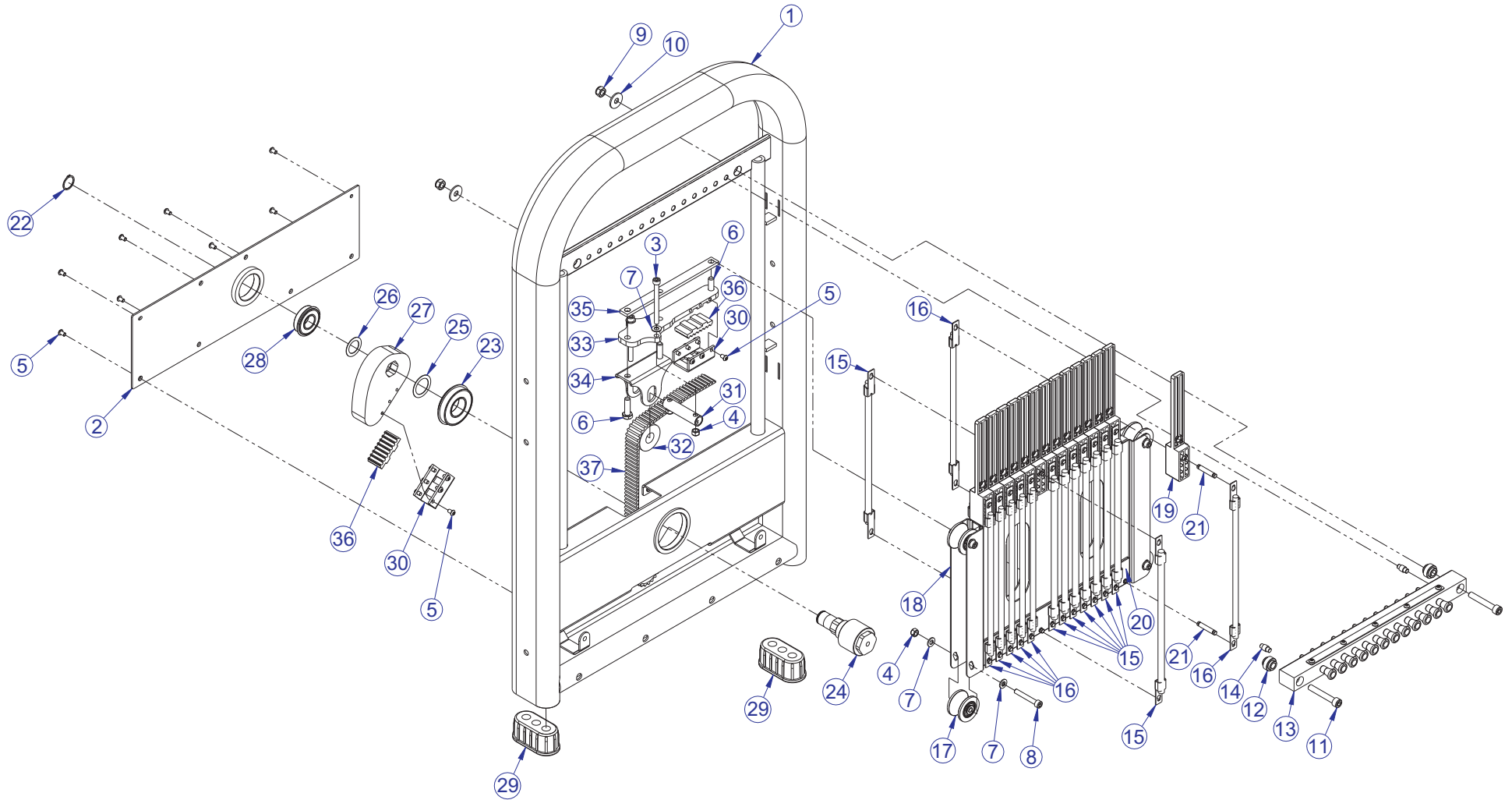
ITEM NO.	QTY.	PART NO.	DESCRIPTION
1	1	80173XX	ASSY, TCTP, BRACE FRAME
2	2	7800501	CAP, SML FLOV END
3	2	3102514	WASHER, FLAT 3/8" SAE ST ZN
4	2	3242002	NUT, M10 X 1.5 HEX NYLOCK
5	2	7893101	SHIM, FOOT LEVELER
6	2	7893001	FOOT, LEVELER
7	2	3251204	SCREW, M10 X1.5 X 35MM UNS HEX CS ST ZN

TCTP TRICEPS PRESS FRONT SHROUD ASSEMBLY - 8024710



ITEM NO.	QTY.	PART NO.	DESCRIPTION
1	1	8012601	SHROUD, TC-TOWER, FRONT
2	1	8024601	LABEL, TC, SELECTOR
3	1	7422004	LABEL, 2" ASTM WARN
4	1	8025210	LABEL, INSTR, STRENGTH CIRCUIT, TCTP
5	1	8037701	LABEL, TC, LIFE FITNESS
6	1	8047101	LABEL, TC, SELECTOR, MULTI-LANGUAGE

TCTP TRICEPS PRESS TOWER ASSEMBLY - 79854XX

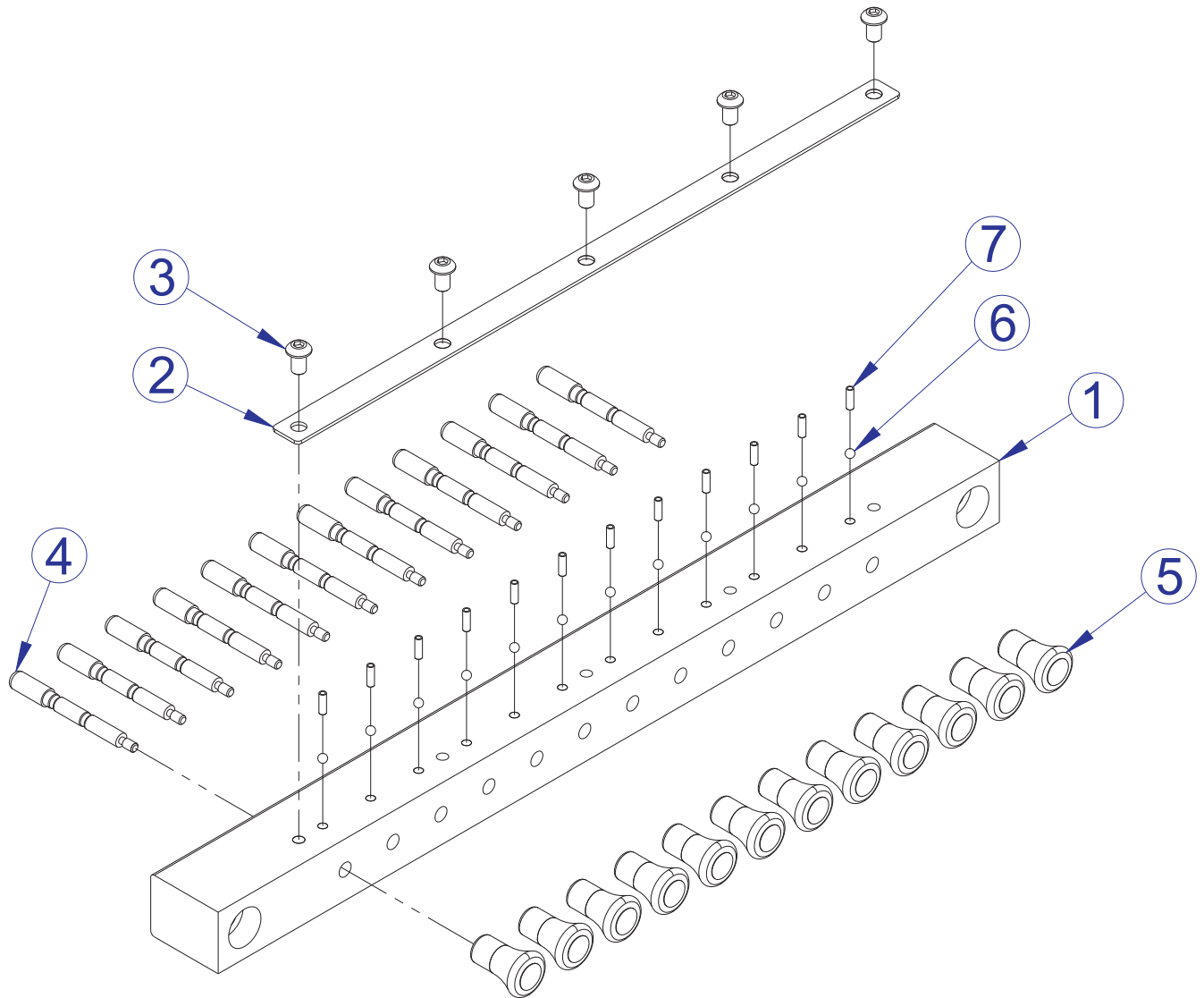


SEE PAGE 12 FOR LEGEND

TCTP TRICEPS PRESS TOWER ASSEMBLY LEGEND

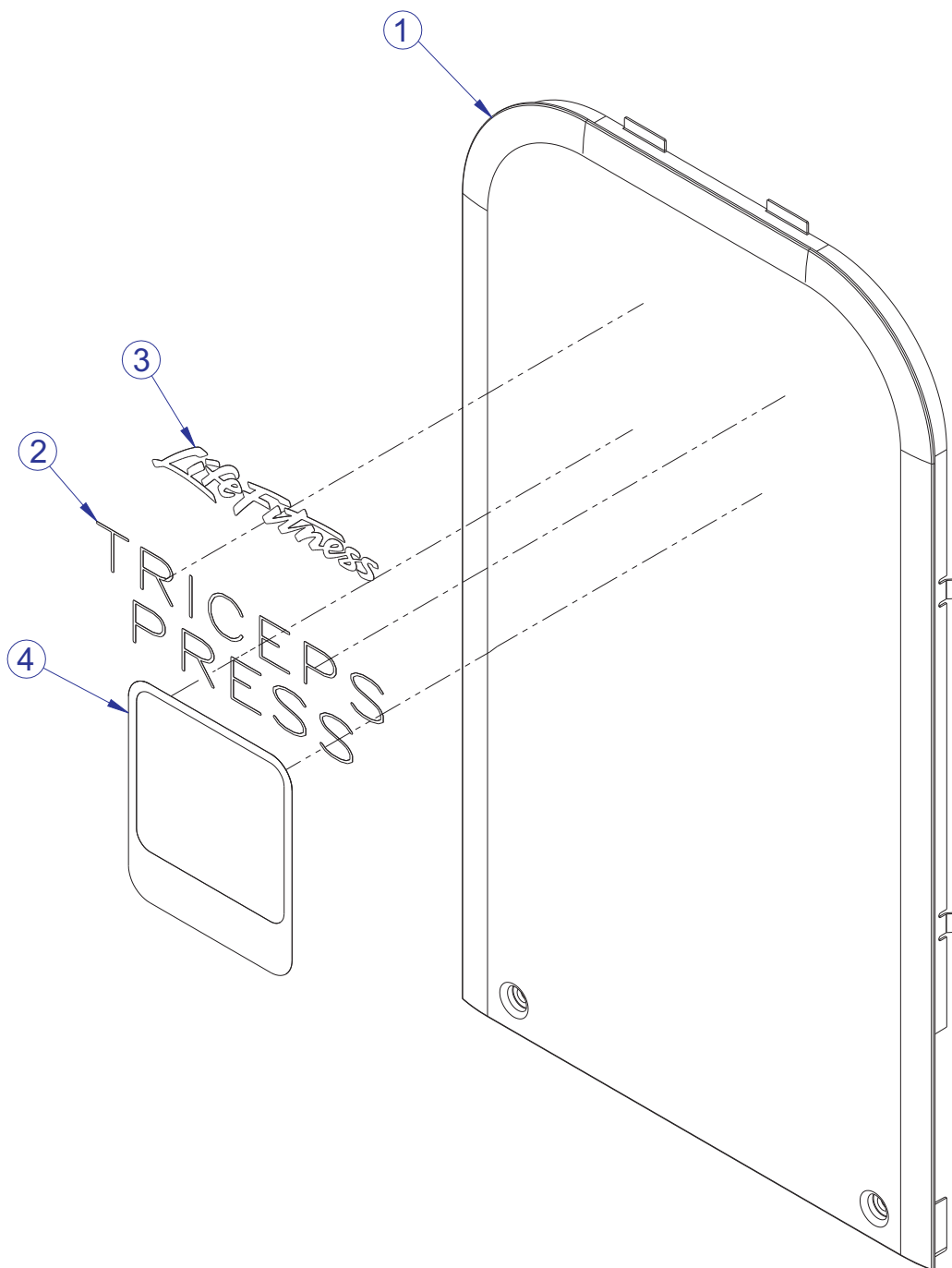
ITEM NO.	QTY.	PART NO.	DESCRIPTION
1	1	79855XX	WLDMT, TC-TOWER, FRAME
2	1	79856XX	WLDMT, TC-TOWER, COVER
3	2	3253915	SCREW, M8 X1.25 90MM
4	6	3242004	NUT, M8 X 1.25 HEX NYLOCK
5	20	3252802	M6-1.0 X 10 HXS BUT CS ST ZN
6	3	3251204	SCREW, M10 X1.5 X 35MM UNS HEX CS ST ZN
7	10	3102509	WASHER, TYPE A PLAIN
8	4	3253908	SCREW, M8 X1.25 55MM
9	2	3242002	NUT, M10 X 1.5 HEX NYLOCK
10	2	3257401	WASHER, FLAT, ST, ZN
11	2	3251710	SCREW, M10 X1.5 65MM
12	2	7996101	SPACER, TC-TOWER, HEADER
13	1	7995801	ASSY, TC-TOWER, HEADER
14	2	8015701	PIN, TC-TOWER, BLOCK FIXED
15	16	8015001	ASSY, CORD, BUNGEE 1/2"
16	12	8014901	ASSY, CORD, BUNGEE 3/8"
17	4	8018401	ASSY, ROLLER
18	1	7985795	WLDMT, TC-TOWER, CARRIAGE
19	14	8013101	SELECT BLOCK, TC-TOWER
20	2	8013301	PLATE, BUNGEE SPACER
21	28	8015601	PIN, TC-TOWER, BUNGEE
22	1	3232420	RING, BRE .926, 5100-98 ST PP B
23	1	3256901	BEARING, 6207NR BALL
24	1	7995701	AXLE, TC-TOWER
25	1	7882701	SHIM, 1.225-1.75-.03
26	1	7882801	SHIM, 1.005-1.50-.03
27	1	8019901	CAM, TC-TOWER
28	1	3257001	BEARING, 6205NR BALL
29	2	8012901	CAP, MFLOV END
30	2	8019201	BRKT, TC-TOWER, BELT
31	1	8019501	SHAFT, TC-TOWER,PULLEY
32	1	8019701	ROLLER, TC-TOWER, BELT
33	1	8019401	PLATE, TC-TOWER, PULLEY MOUNT
34	1	8019301	BRKT, TC-TOWER, PULLEY
35	1	8024301	PLATE, TC-TOWER, SPACER
36	2	8019601	BLOCK, BELT, TC-TOWER
37	1	8026401	BELT, 30MM, KEVLAR

TCTP TRICEPS PRESS TOWER HEADER ASSEMBLY - 7995801



ITEM NO.	QTY.	PART NO.	DESCRIPTION
1	1	7995901	BAR, HEADER, FRONT
2	1	7996001	PLATE, SPRING RETAINER
3	5	3262001	M6-1.0 X 10 TORX BUT CS ST ZN
4	12	8020001	PIN, TC-TOWER, SELECTOR
5	12	8013001	KNOB, TC-TOWER, PIN
6	12	3265601	BALL, CHROME ALLOY STEEL X 3.5MM
7	12	3253202	SPRING, .12 DIA X .438 X .018 WIRE DIA

TCTP TRICEPS PRESS REAR SHROUD ASSEMBLY - 8024810



ITEM NO.	QTY.	PART NO.	DESCRIPTION
1	1	8012701	SHROUD, TC-TOWER, REAR
2	1	8024910	LABEL, STRENGTH CIRCUIT, TCTP
3	1	8037701	LABEL, TC, LIFE FITNESS
4	1	8038010	LABEL, TCTP, PLACARD REAR

TCTP TRICEPS PRESS IMAGE

