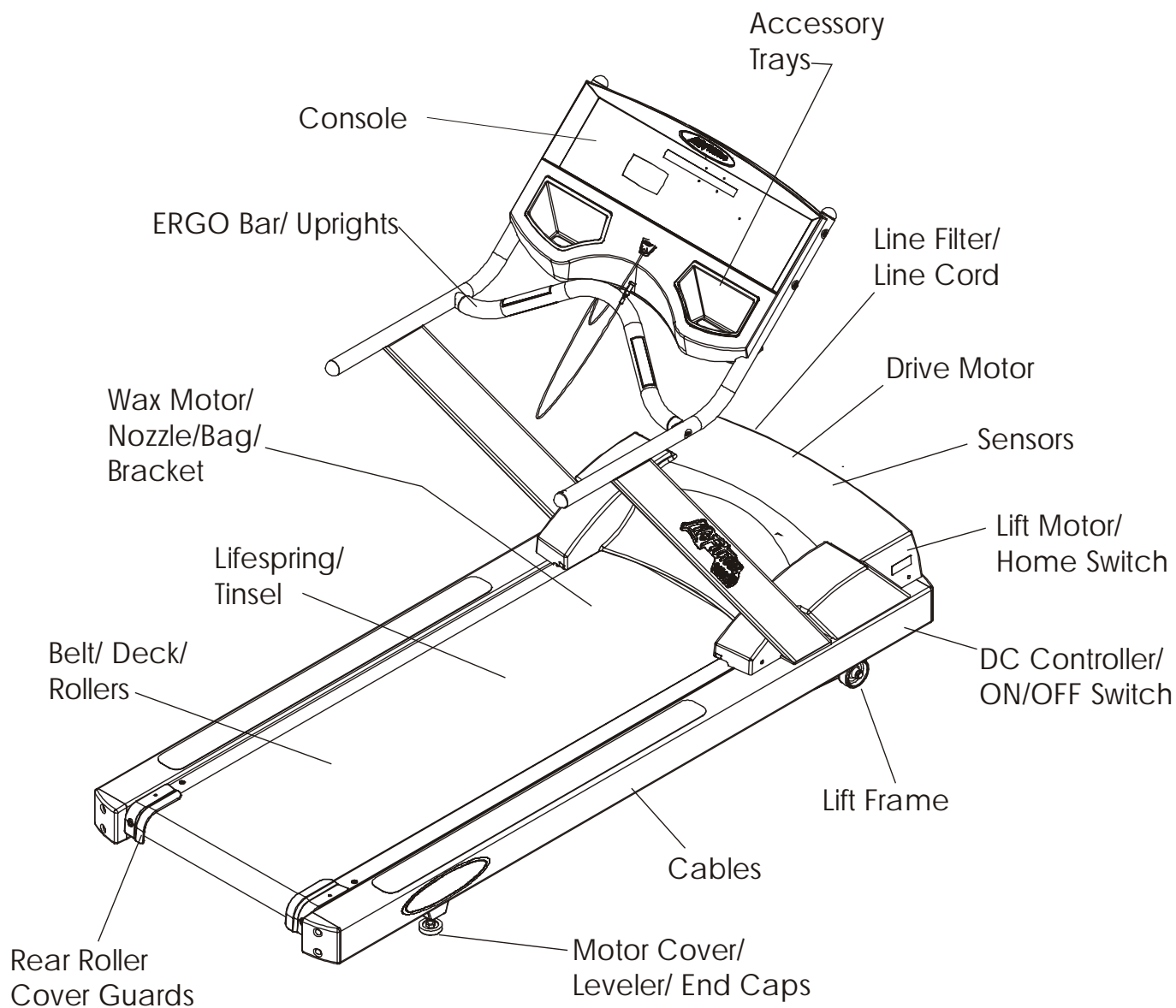


**General Assembly**

---

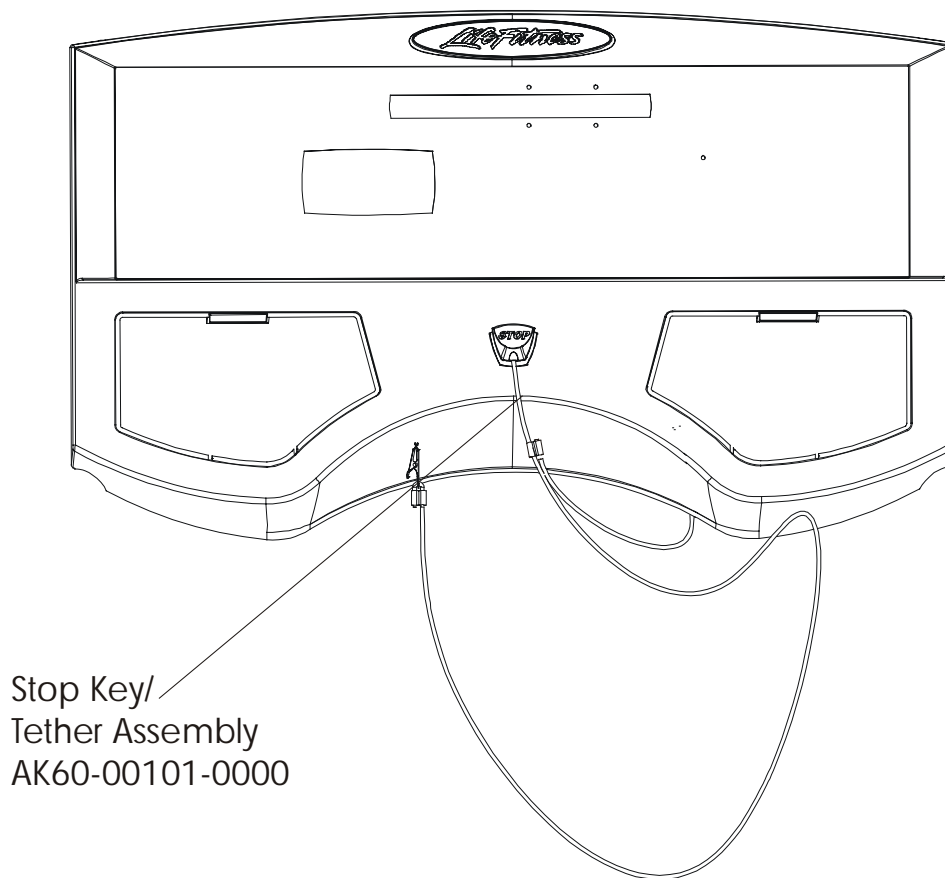


<b>Operation Manual TR90/85</b>	<b>M051- 00K20-A371</b>
<b>Service Manual TR90/85/T9i</b>	<b>M051-00K60-A013</b>

Console Assembly (1 of 3)

---

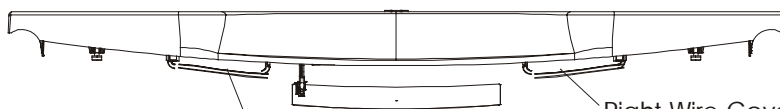
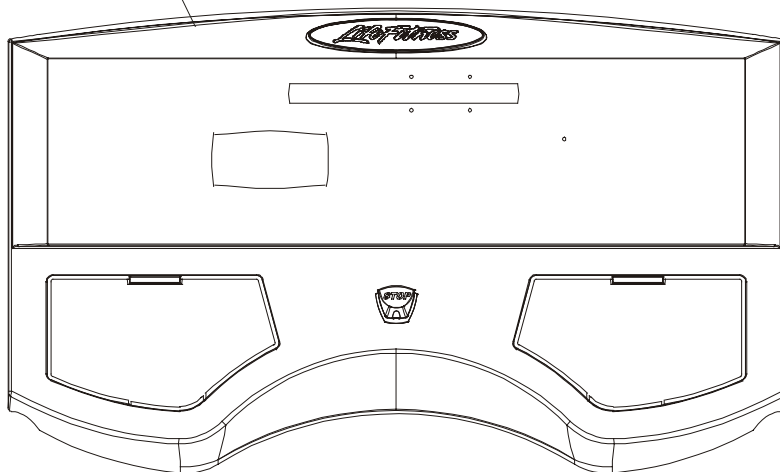
TR9000 Console Assembly		TR9000 Overlay Bezel	
AK60-00014-0001	Eng/Met	AK60-00011-0001	Eng/Met
AK60-00014-0003	Ger/Met	AK60-00011-0003	Ger/Met
AK60-00014-0004	Spn/Met	AK60-00011-0004	Spn/Met
AK60-00014-0006	Jap/Met	AK60-00011-0006	Jap/Met
AK60-00014-0007	Frn/Met	AK60-00011-0007	Frn/Met
AK60-00014-0008	Itl/Met	AK60-00011-0008	Itl/Met
AK60-00014-0009	Dut/Met	AK60-00011-0009	Dut/Met
AK60-00014-0010	Por/Met	AK60-00011-0010	Por/Met



Console Assembly (2 of 3)

---

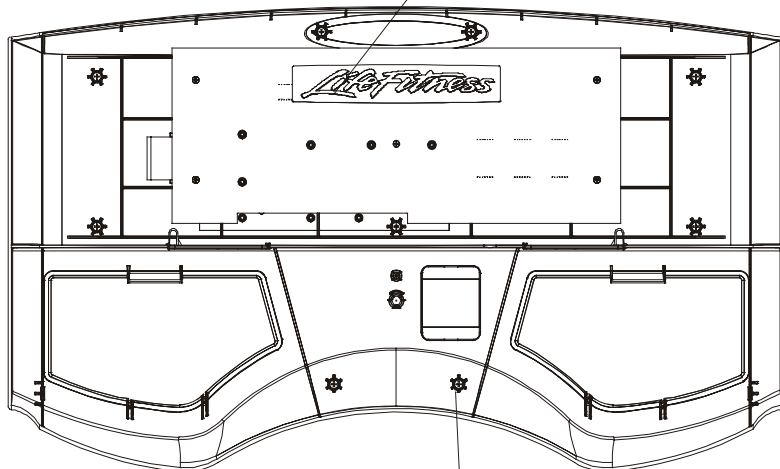
Console Front w/o Overlay  
AK60-00011-00SC



Left Wire Cover  
OK60-01041-0001

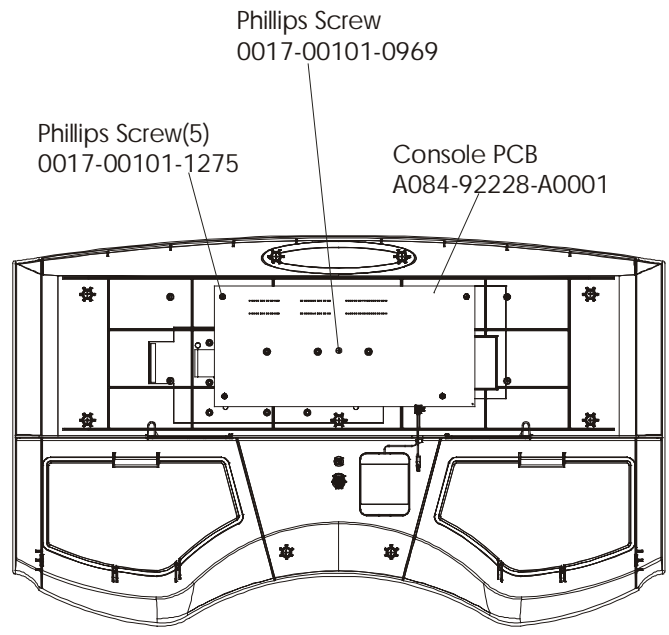
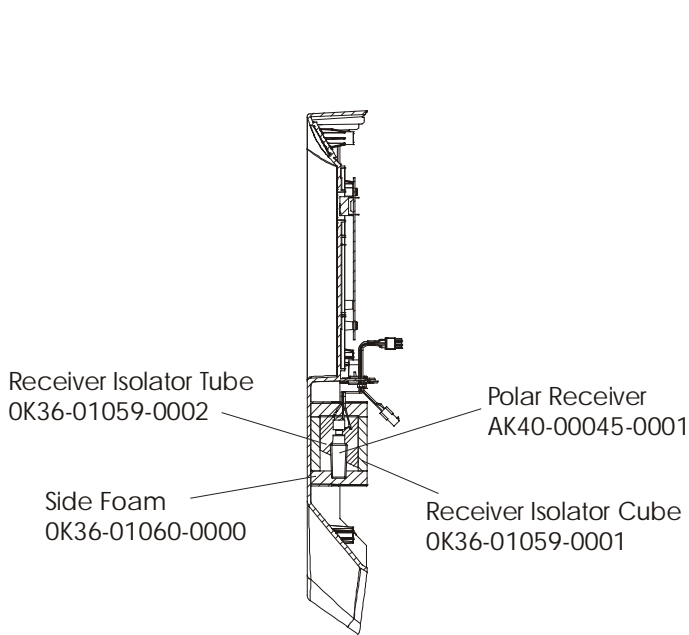
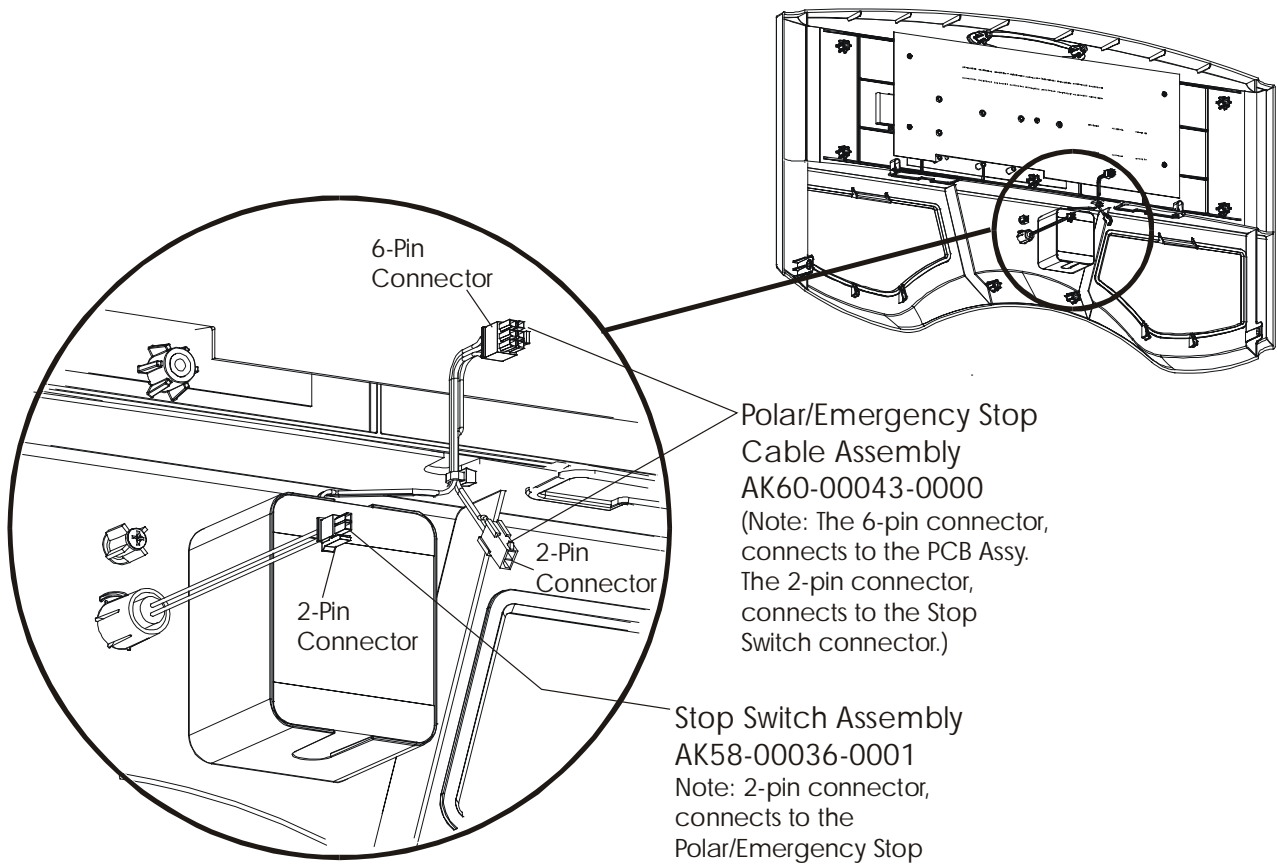
Right Wire Cover  
OK60-01041-0002

Rear Decal  
OK58-01129-0000



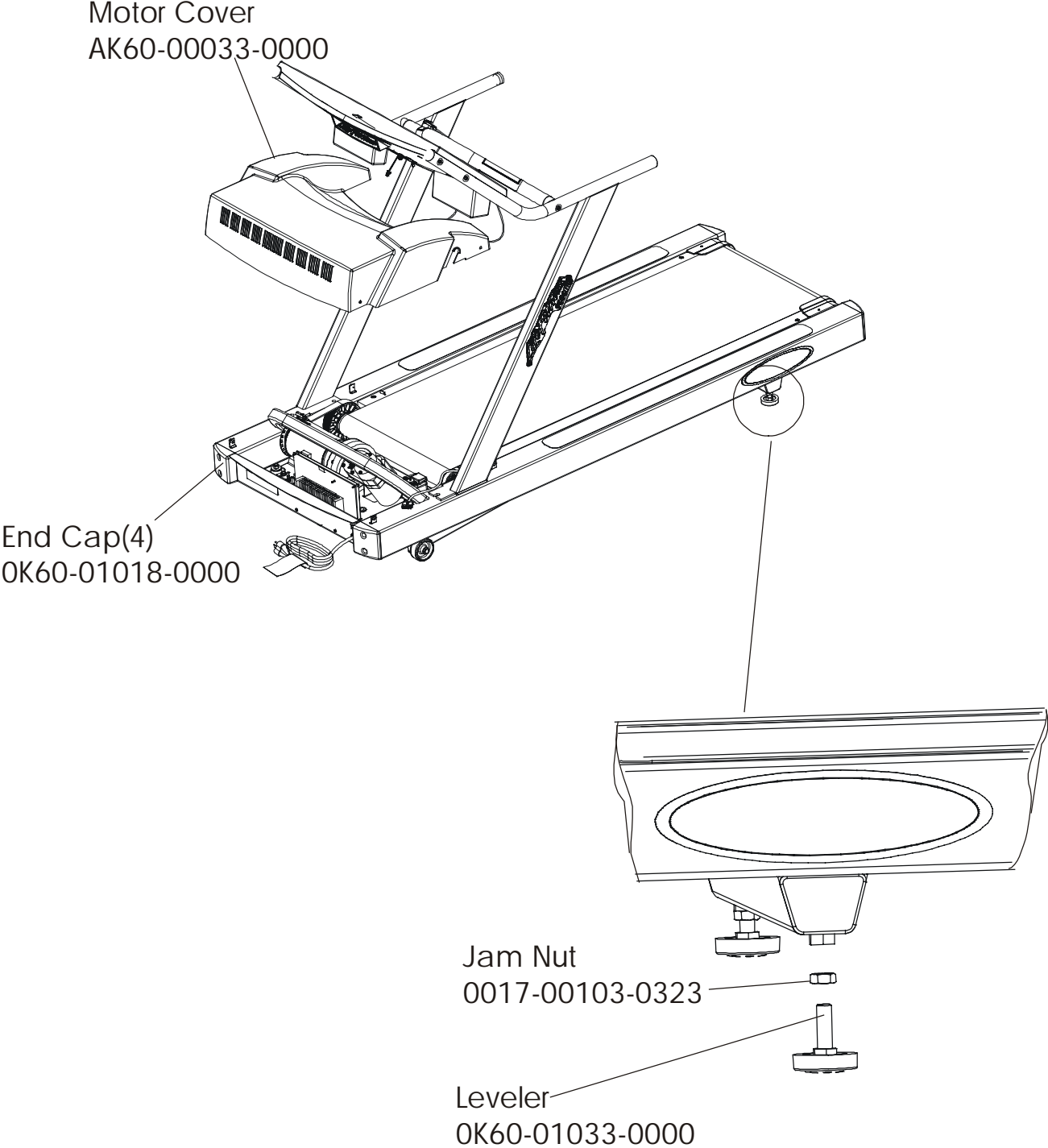
Phillips Screw(9)  
0017-00101-1288

Console Assembly (3 of 3)



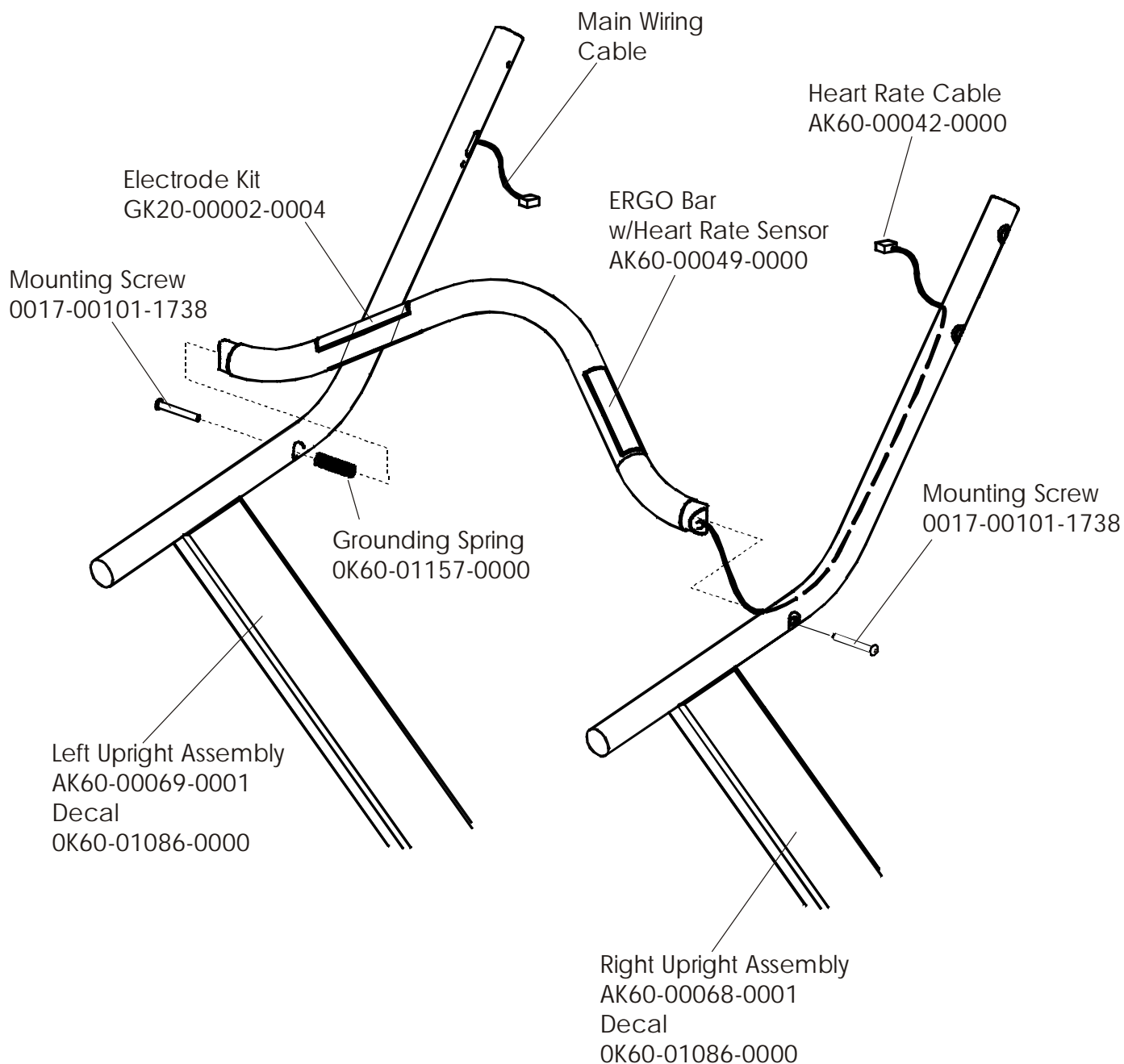
Motor Cover, Leveler, and End Caps

---

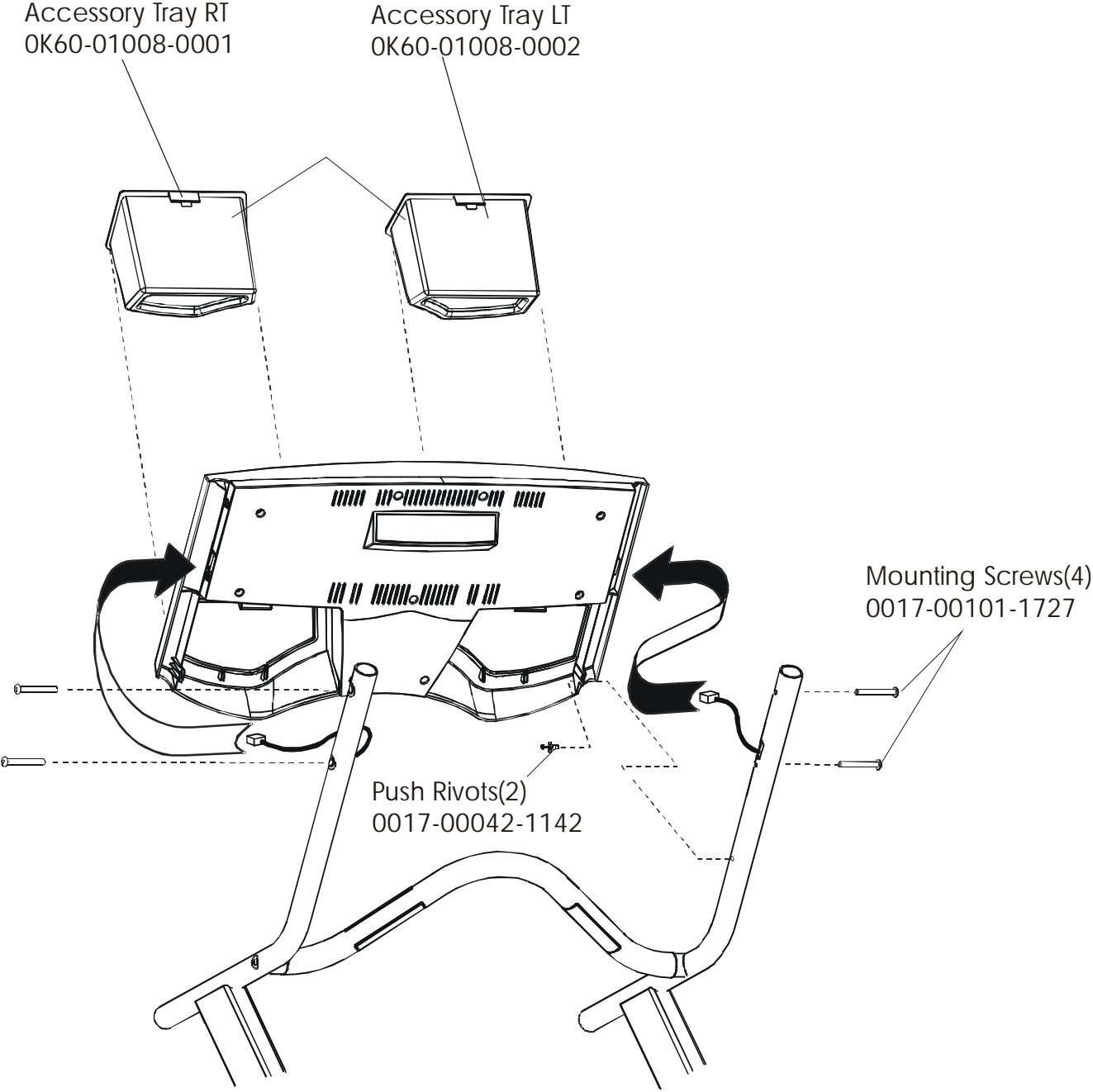


ERGO Bar and Upright Assembly

---

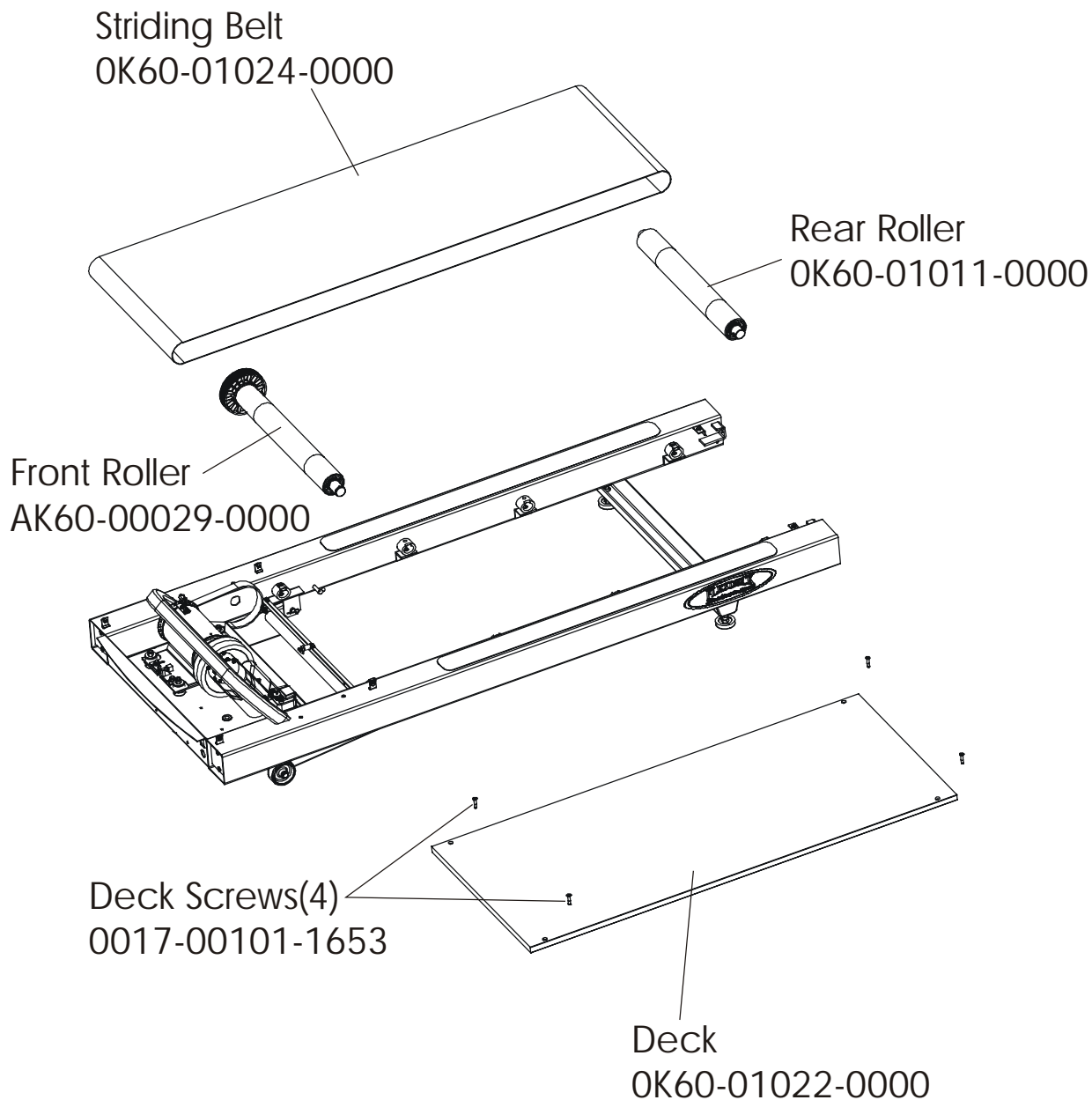


Accessory Trays



Belt, Deck, and Rollers

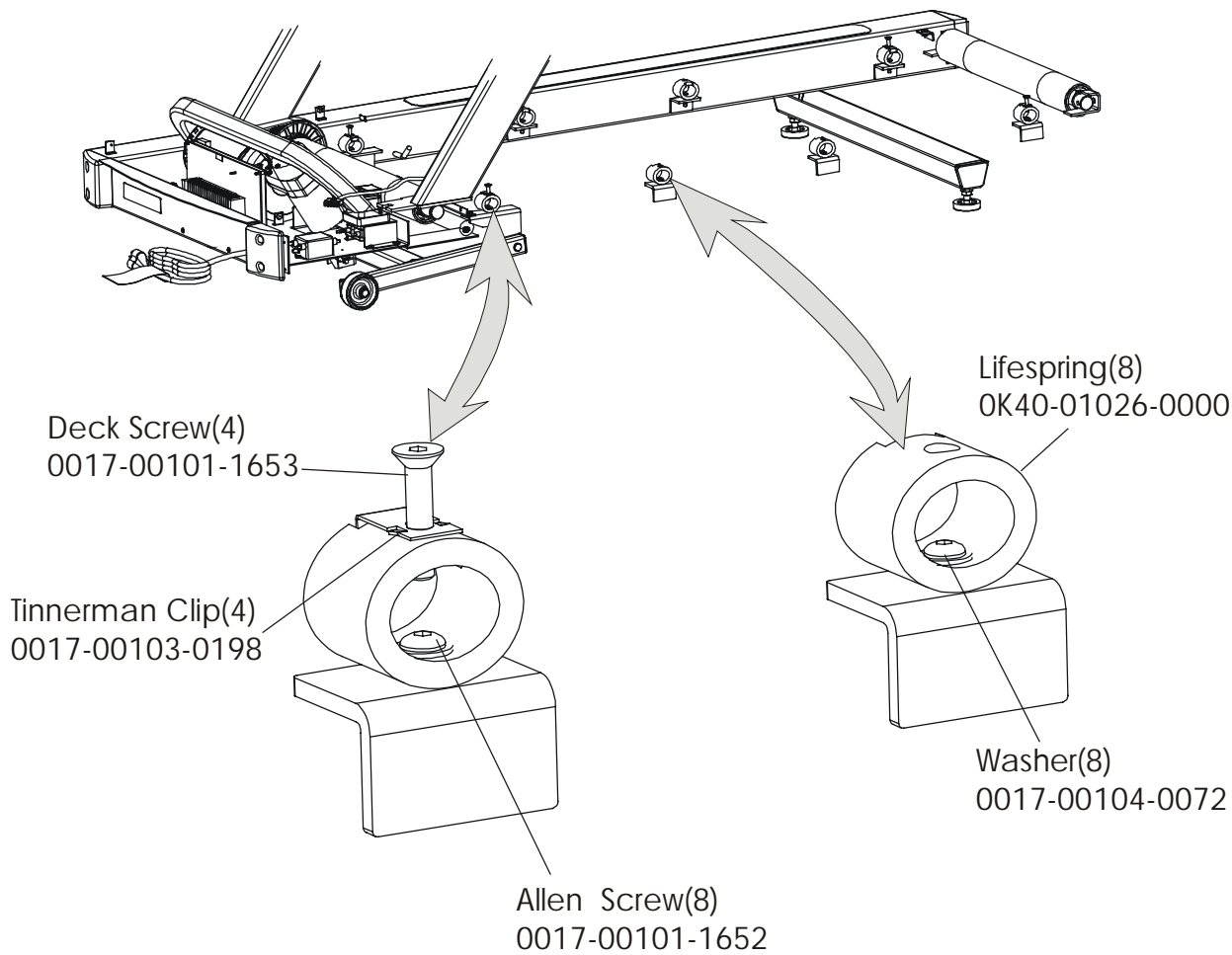
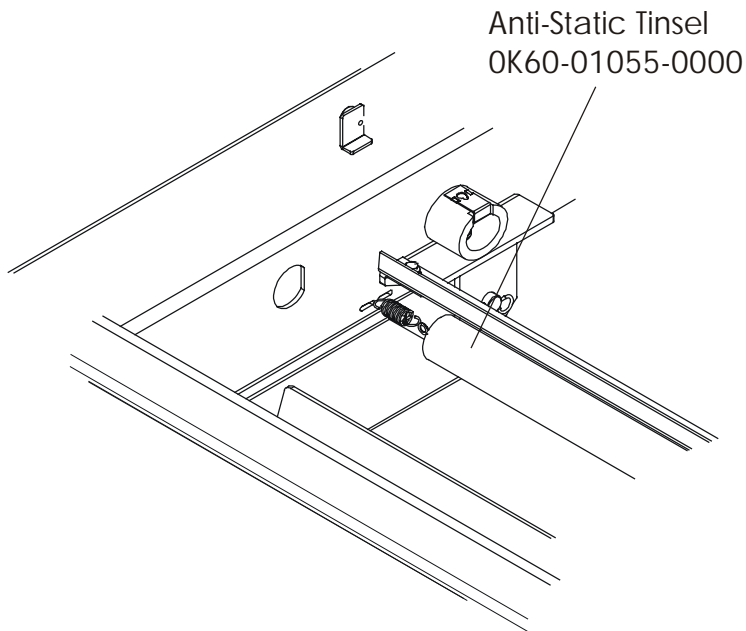
---





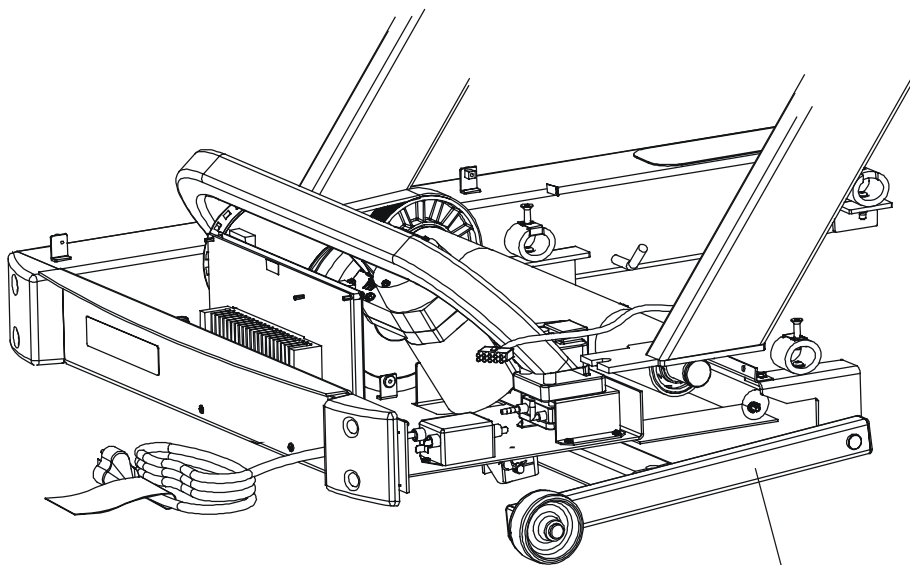
Lifesprings & Anti-Static Tinsel

---



**Lift Frame Assembly**

---



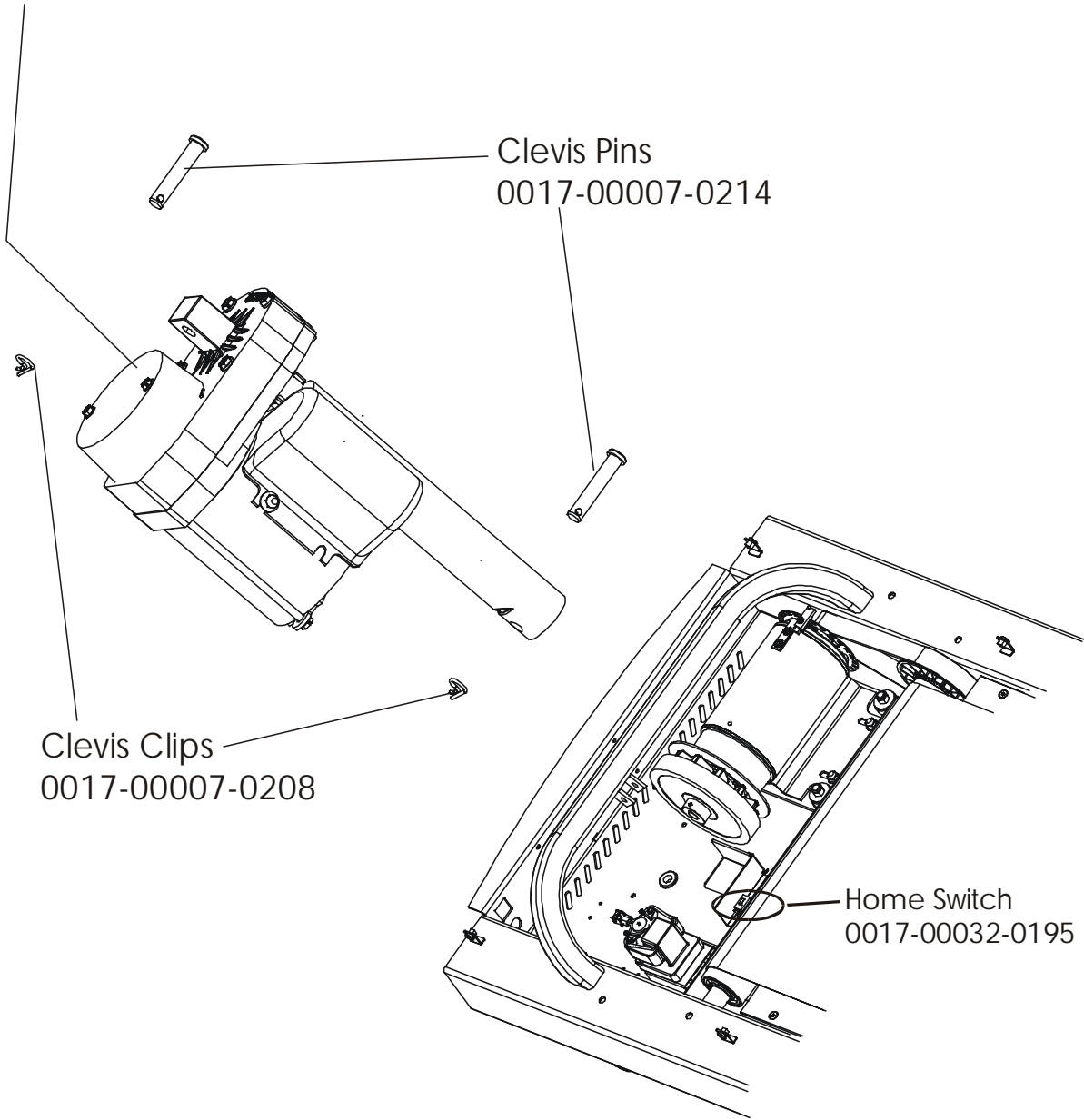
Wheel Assembly  
0K60-01020-0000  
Cap  
0K60-01092-0000  
Cotter Pin  
0017-00007-0208  
Clevis Pin  
0017-00007-0271

Lift Frame Assembly  
AK60-00065-0000

**Lift Motor and Home Switch**

---

Lift Motor  
OK60-01094-0000 (120v)  
OK60-01166-0000(220v/60Hz)



Drive Motor Assembly

---

Drive Motor Assembly

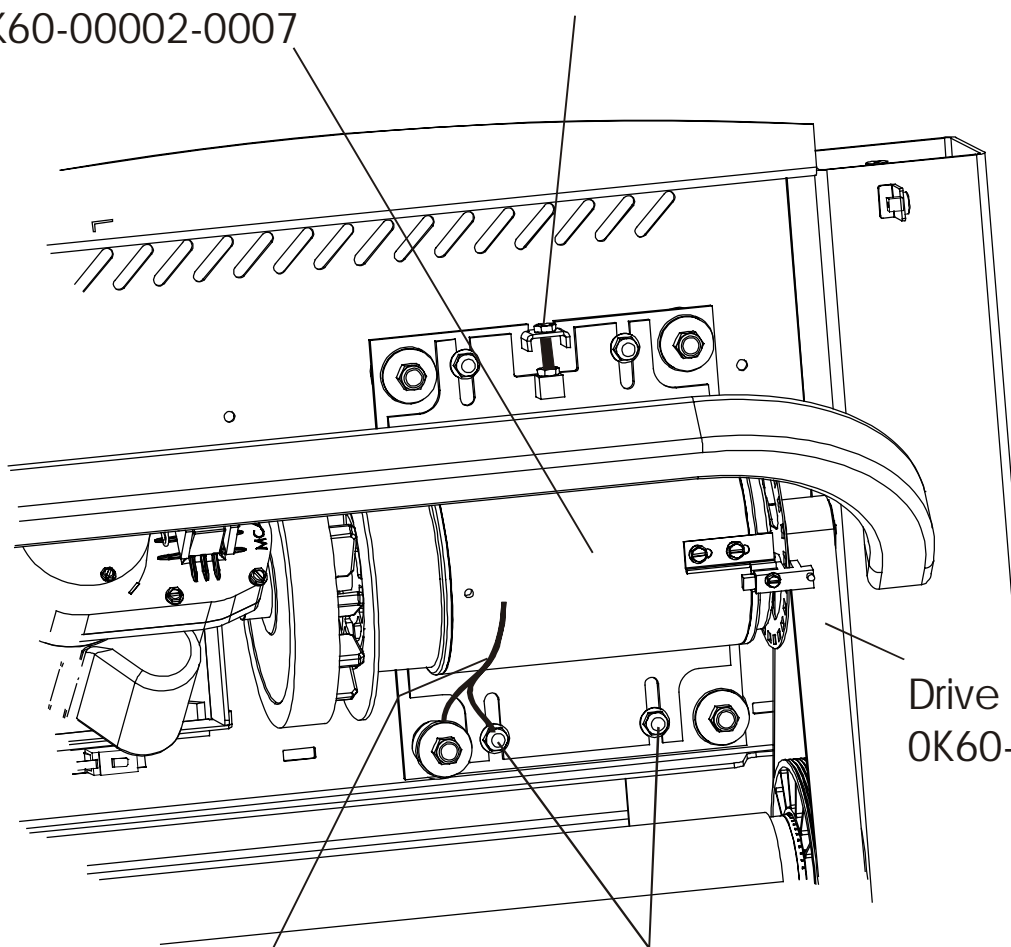
AK60-00081-0000

Motor Brush Kit

GK60-00002-0007

Tensioning Bolt

0017-00101-1283



Drive Belt

OK60-01025-0000

Mounting Nuts(4)

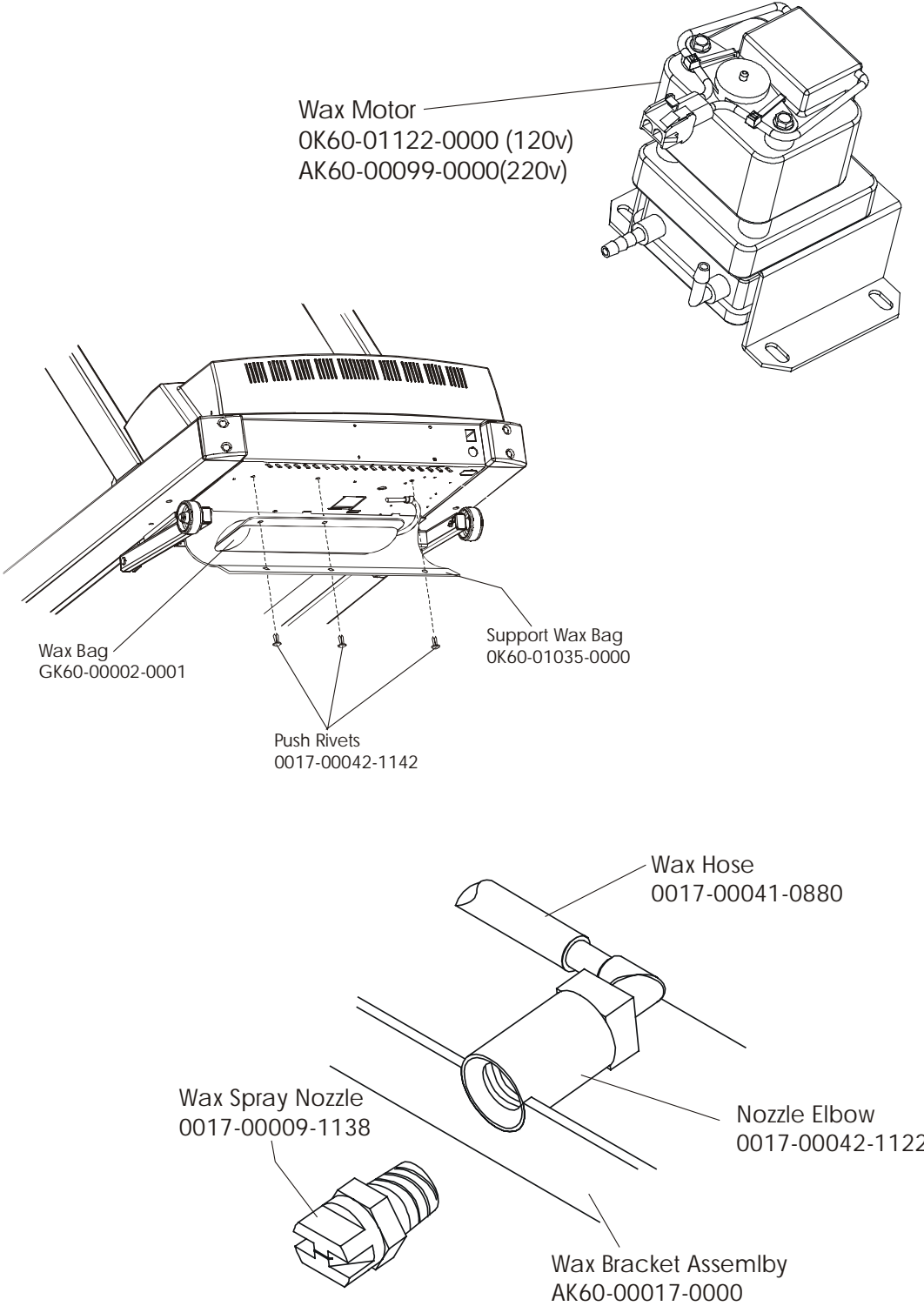
0017-00103-0132

Current Limit Wires

AK60-00098-0000

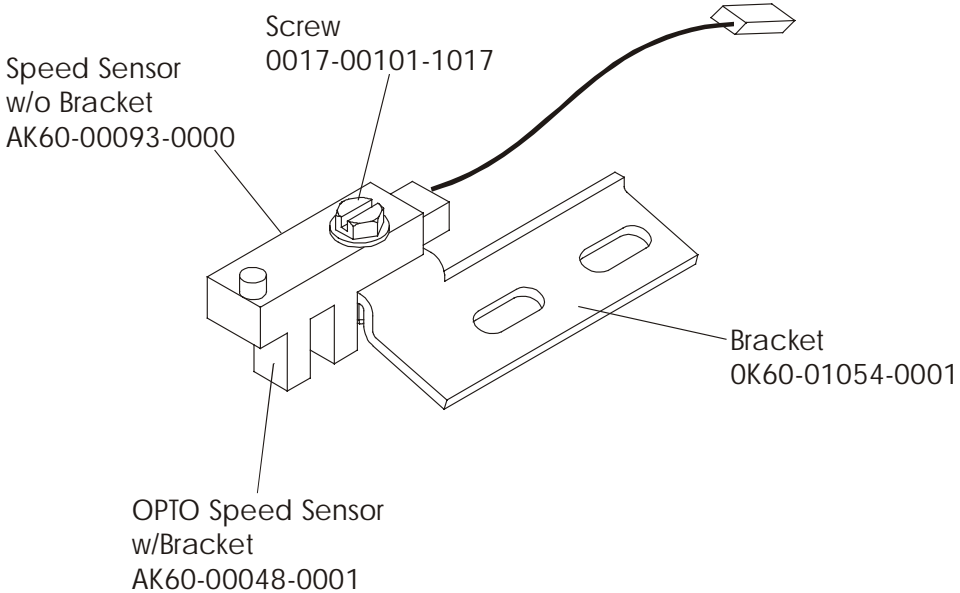
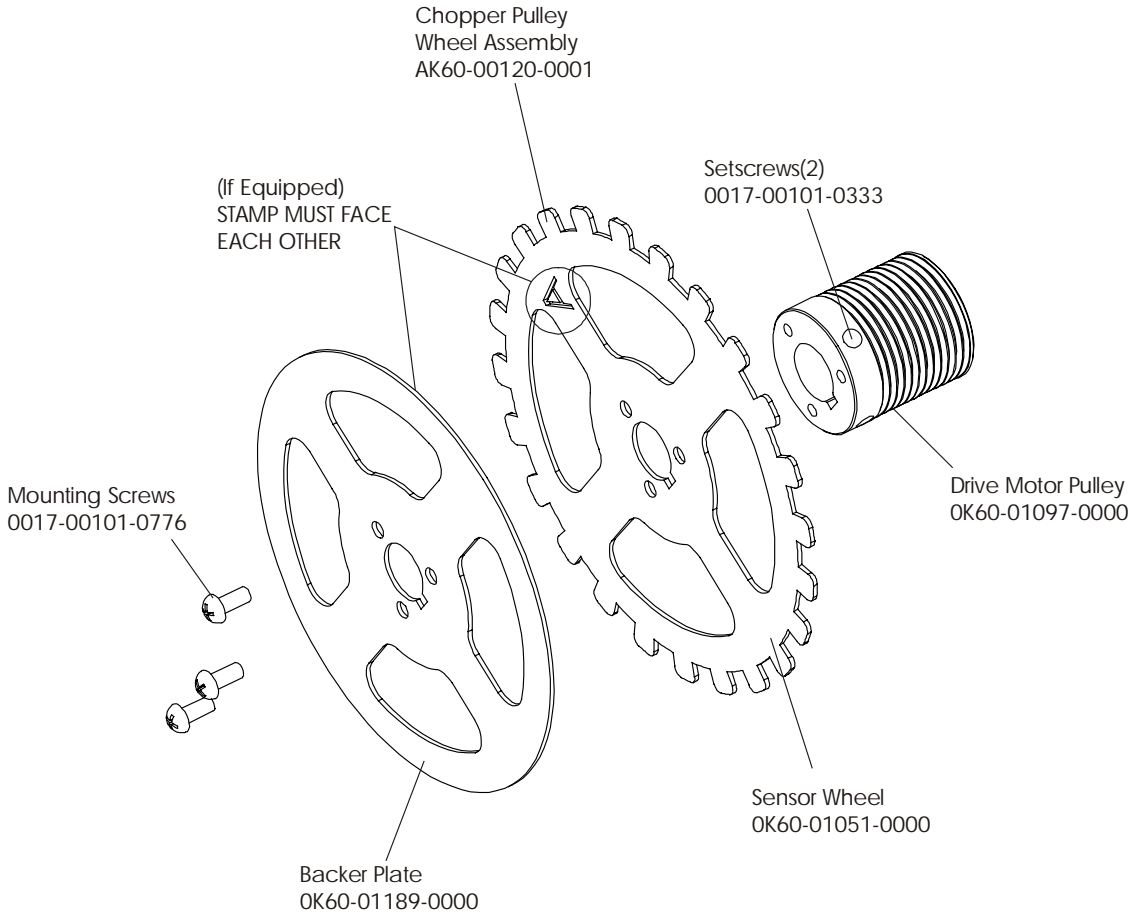
Wax Motor, Wax Bag, and Wax Nozzle & Bracket

---



Sensors

---

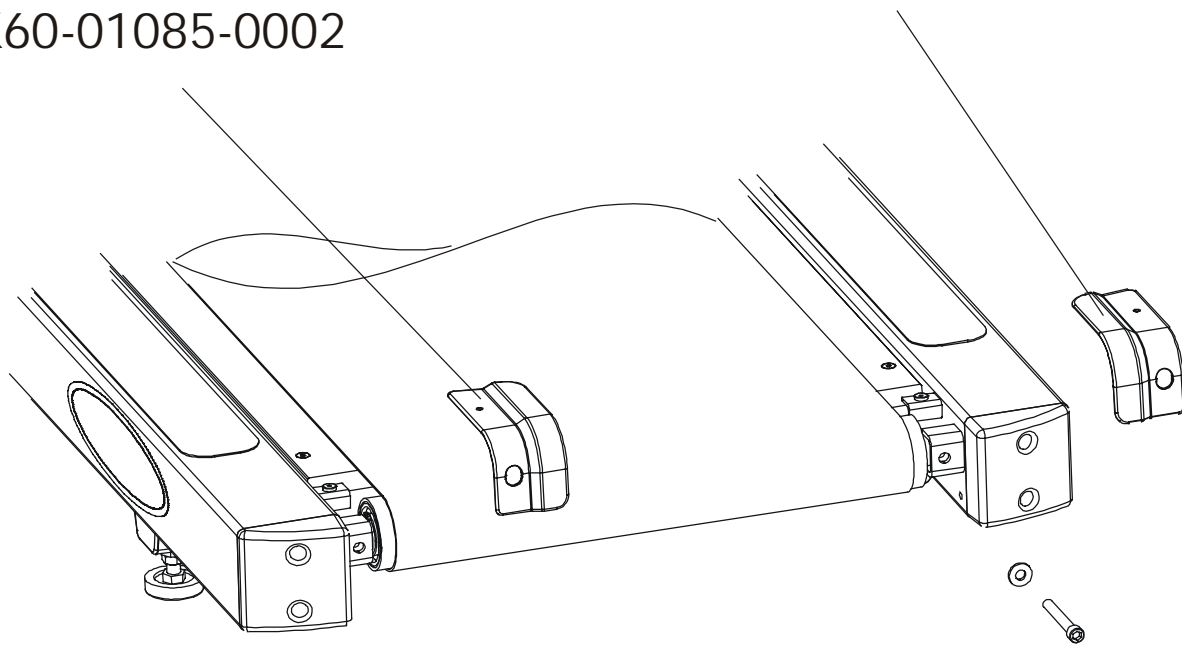


Rear Roller Cover Guards

---

Rear Roller  
Cover Guards LT  
0K60-01085-0002

Rear Roller  
Cover Guards RT  
0K60-01085-0001

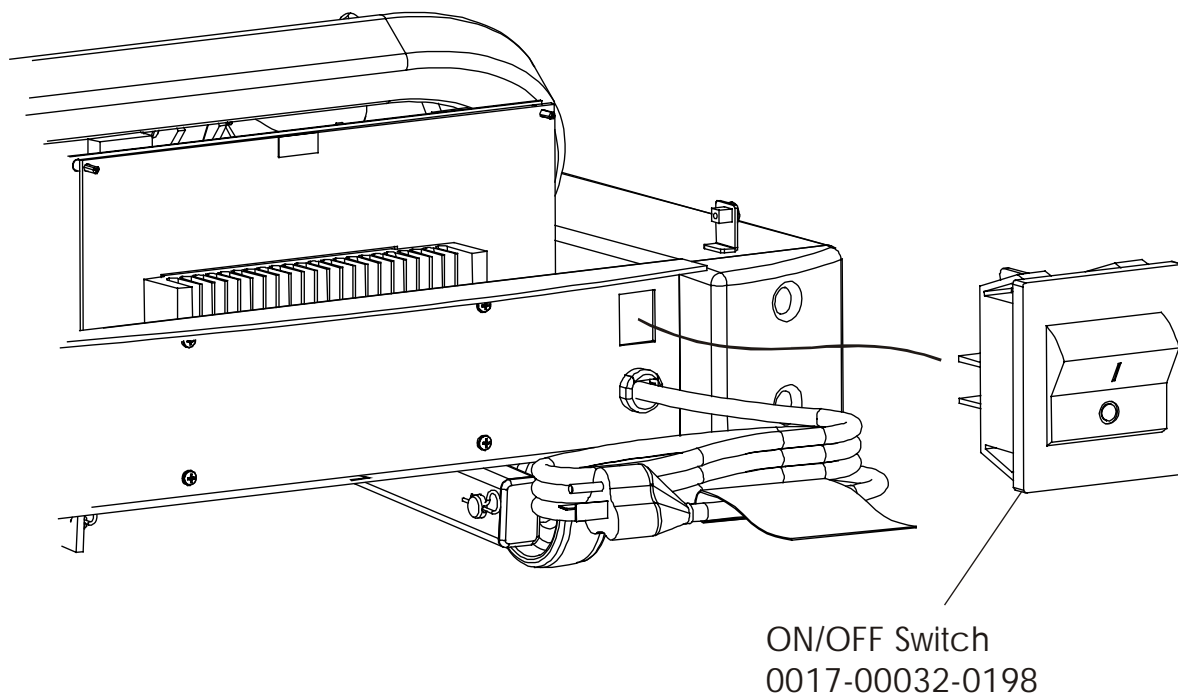
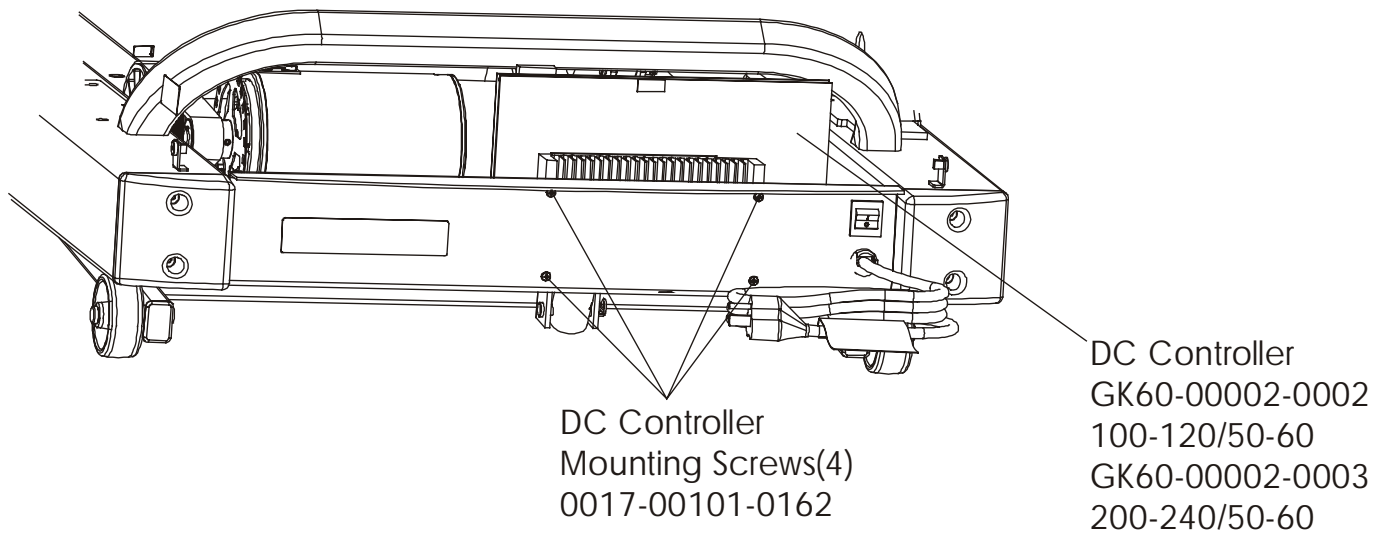


Washer(2)  
0017-00104-0334

Rear Roller  
Adjusting Bolt(2)  
0017-00101-1714

DC Controller and ON/OFF Switch

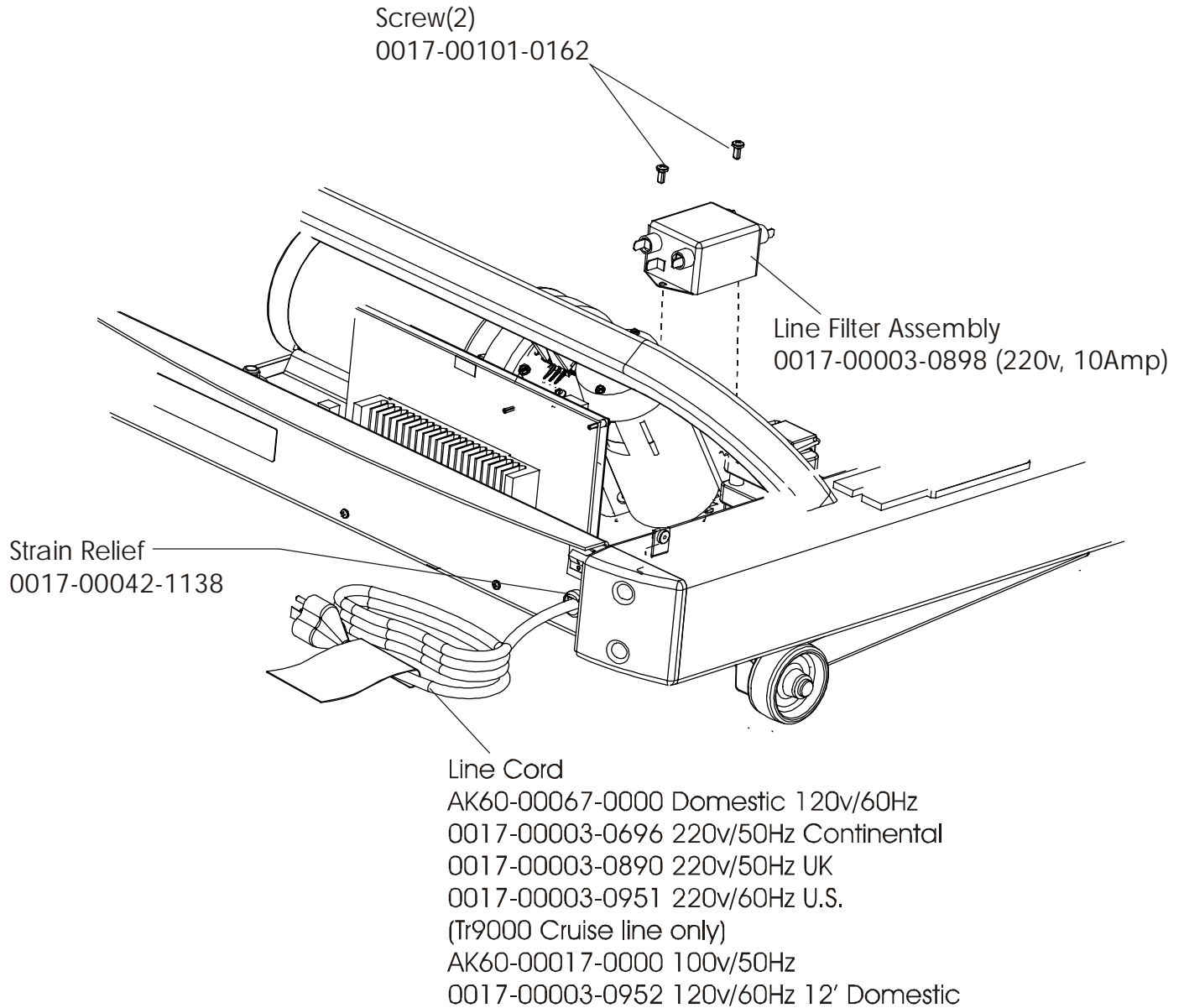
---





Line Filter Assembly and Line Cord

---



Cables

