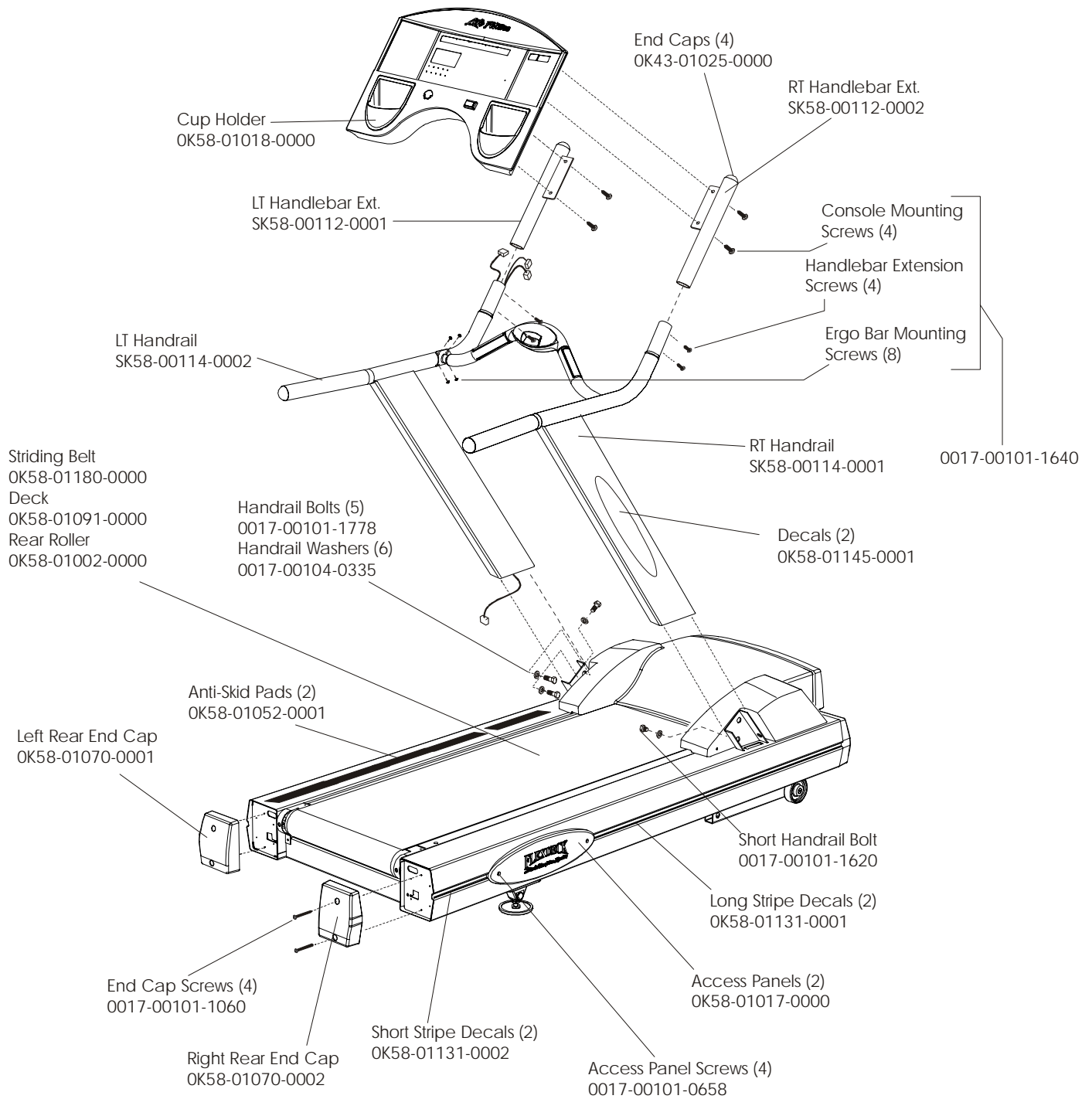


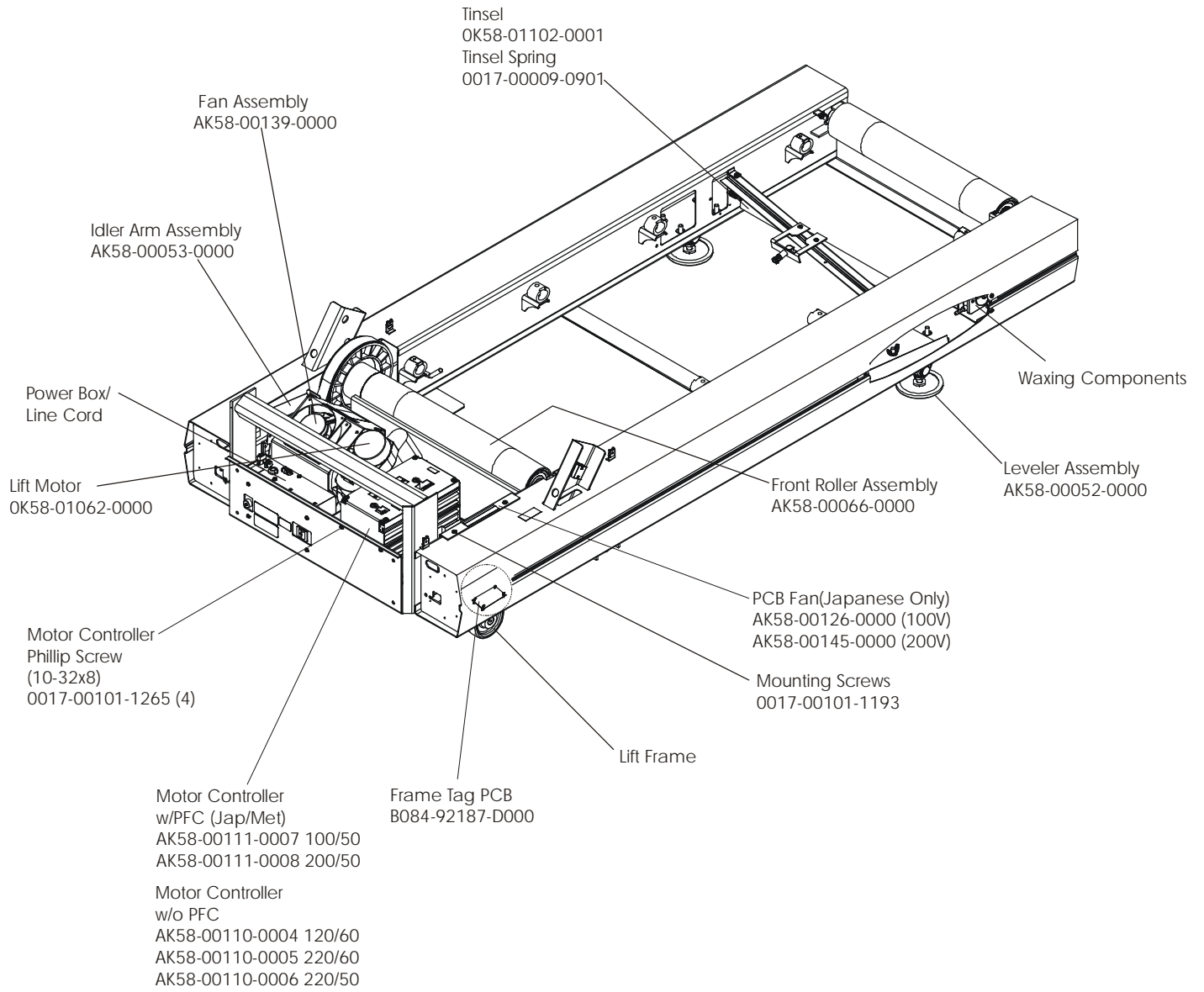
TR95 Treadmill General Assembly

TR95-0100-34



TR95 Treadmill Frame Assembly

TR95-0100-34

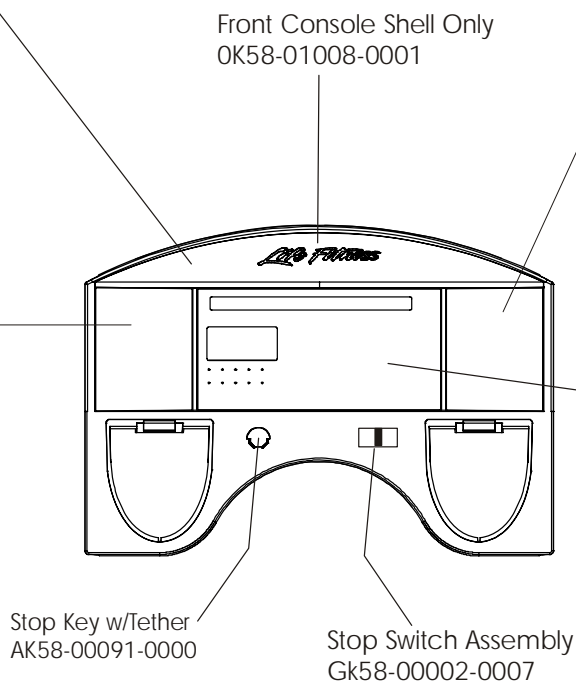


TR95 Treadmill Console (External View)

TR95-0100-34

- Console Assembly
- AK58-00056-0001 Eng/Met
- AK58-00056-0003 Ger/Met
- AK58-00056-0004 Spn/Met/Eur
- AK58-00056-0005 Eng/Met/Eur
- AK58-00056-0006 Jap/Met
- AK58-00056-0007 Frn/Met/Eur
- AK58-00056-0008 Itl/Met
- AK58-00056-0009 Dut/Met
- AK58-00056-0010 Dut/Met
- AK58-00056-0011 Eng/Met/Eur

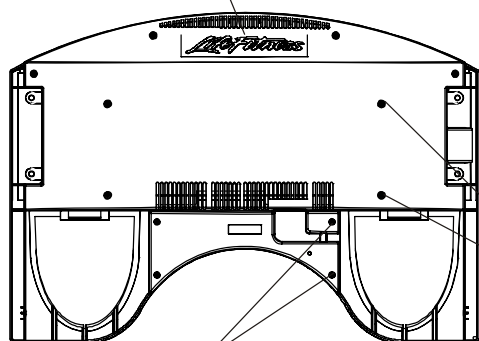
- Workout Profiles
- OK58-01214-0001 Eng/Met
- OK58-01214-0003 Ger/Met
- OK58-01214-0004 Spn/Met/Eur
- OK58-01214-0005 Eng/Met/Eur
- OK58-01214-0006 Jap/Met
- OK58-01214-0007 Frn/Met/Eur
- OK58-01214-0008 Itl/Met
- OK58-01214-0009 Dut/Met
- OK58-01214-0010 Dut/Met
- OK58-01214-0011 Eng/Met/Eur



- Zone Training Overlay
- OK58-01213-0001 Eng/Met
- OK58-01213-0003 Ger/Met
- OK58-01213-0004 Spn/Met/Eur
- OK58-01213-0005 Eng/Met/Eur
- OK58-01213-0006 Jap/Met
- OK58-01213-0007 Frn/Met/Eur
- OK58-01213-0008 Itl/Met
- OK58-01213-0009 Dut/Met
- OK58-01213-0010 Dut/Met
- OK58-01213-0011 Eng/Met/Eur

- Tray/Switch w/Overlay Assy
- AK58-00160-0001 Eng/Met
- AK58-00160-0003 Ger/Met
- AK58-00160-0004 Spn/Met/Eur
- AK58-00160-0005 Eng/Met/Eur
- AK58-00160-0006 Jap/Met
- AK58-00160-0007 Frn/Met/Eur
- AK58-00160-0008 Itl/Met
- AK58-00160-0009 Dut/Met
- AK58-00160-0010 Dut/Met
- AK58-00160-0011 Eng/Met/Eur

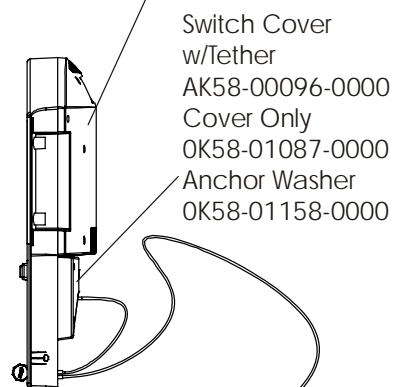
- Rear Console Decal
- OK58-01129-0000



- Phillips Screw-4
(8-32x6)
0017-00101-0776

- Phillips Screw-8
(10-32x8)
0017-00101-1288

- Rear Console
- OK58-01009-0000

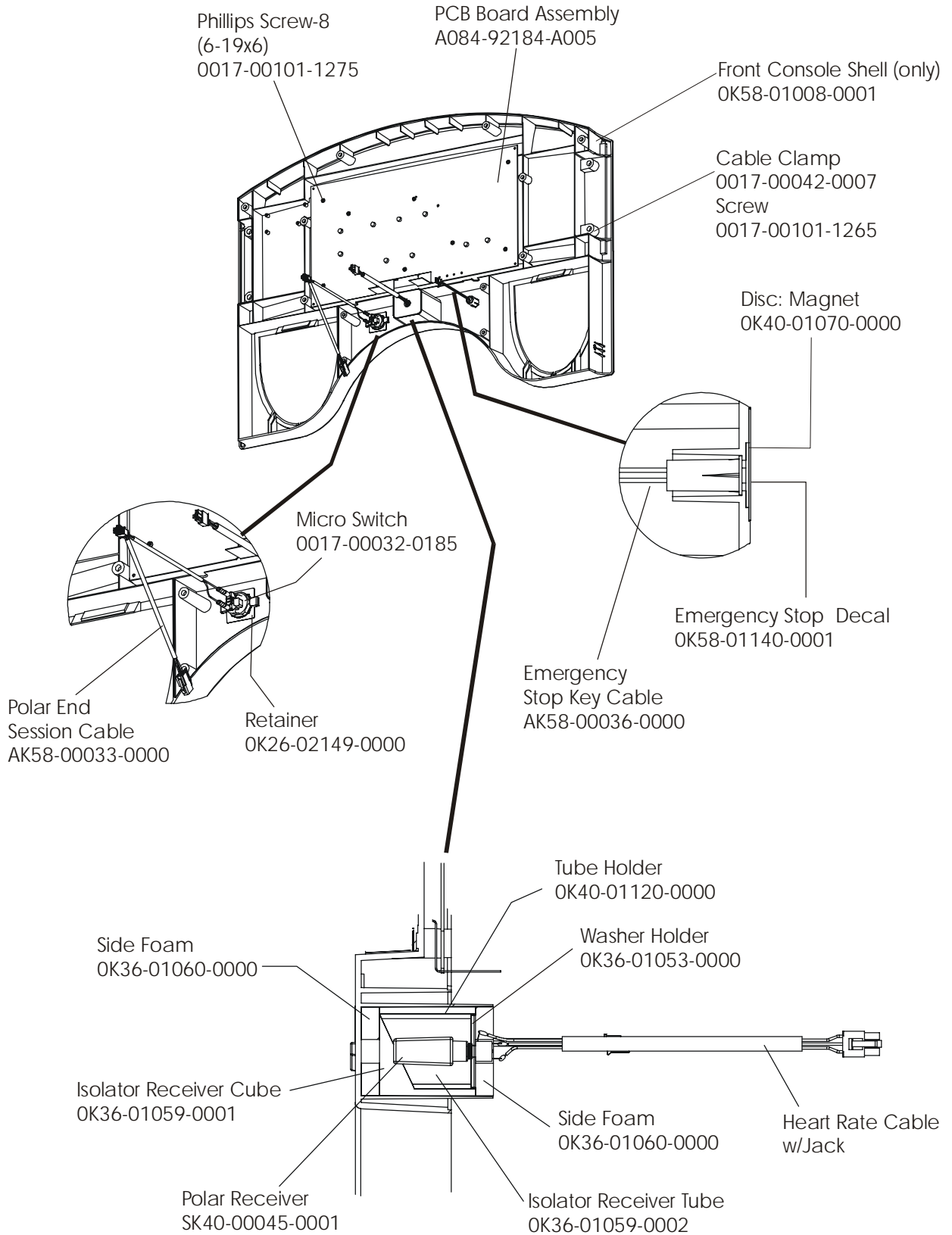


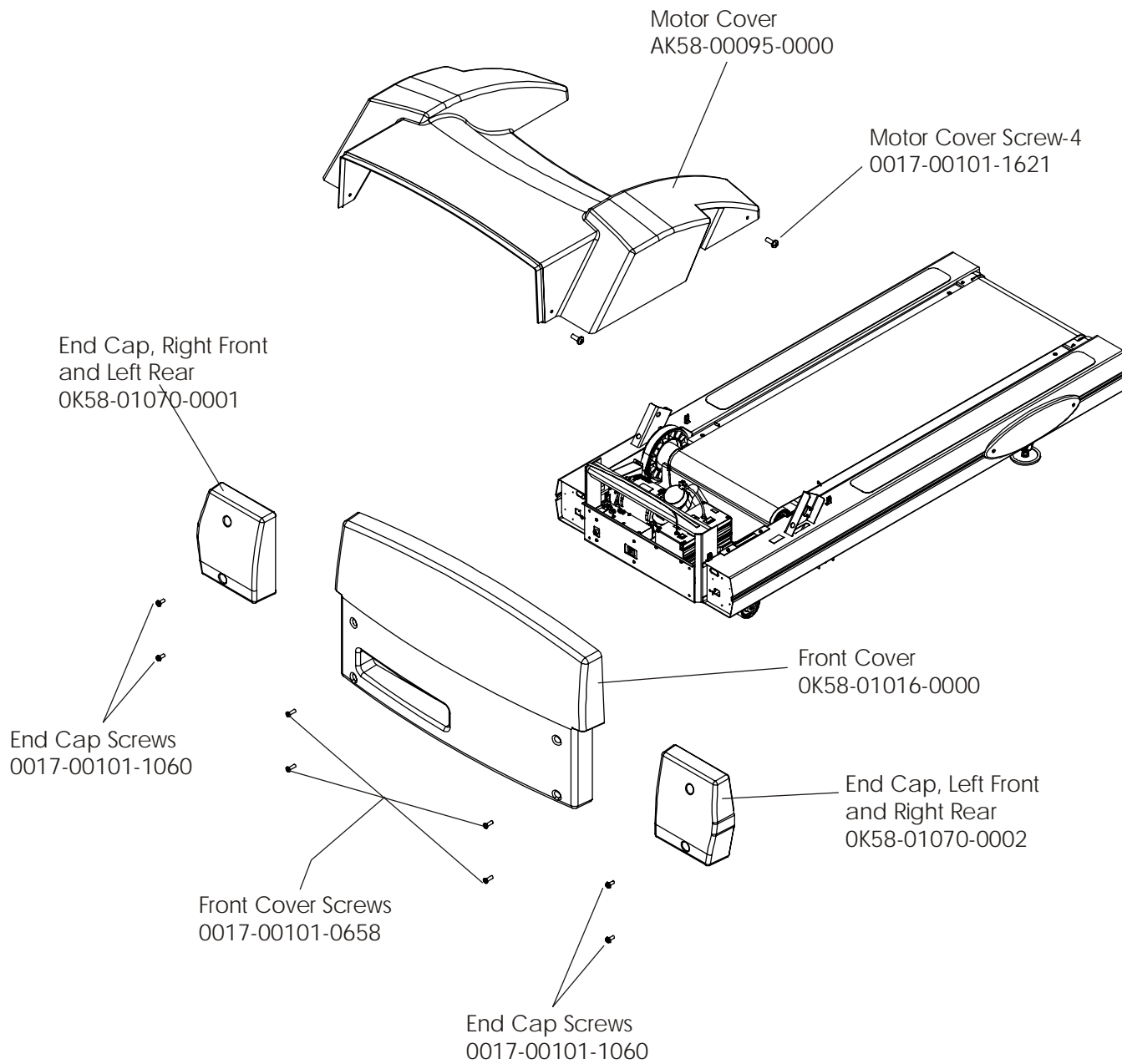
- Switch Cover
w/Tether
AK58-00096-0000
- Cover Only
OK58-01087-0000
- Anchor Washer
OK58-01158-0000

- Stop Key w/Tether
AK58-00091-0000

**TR95 Treadmill
Console (Internal View)**

TR95-0100-34

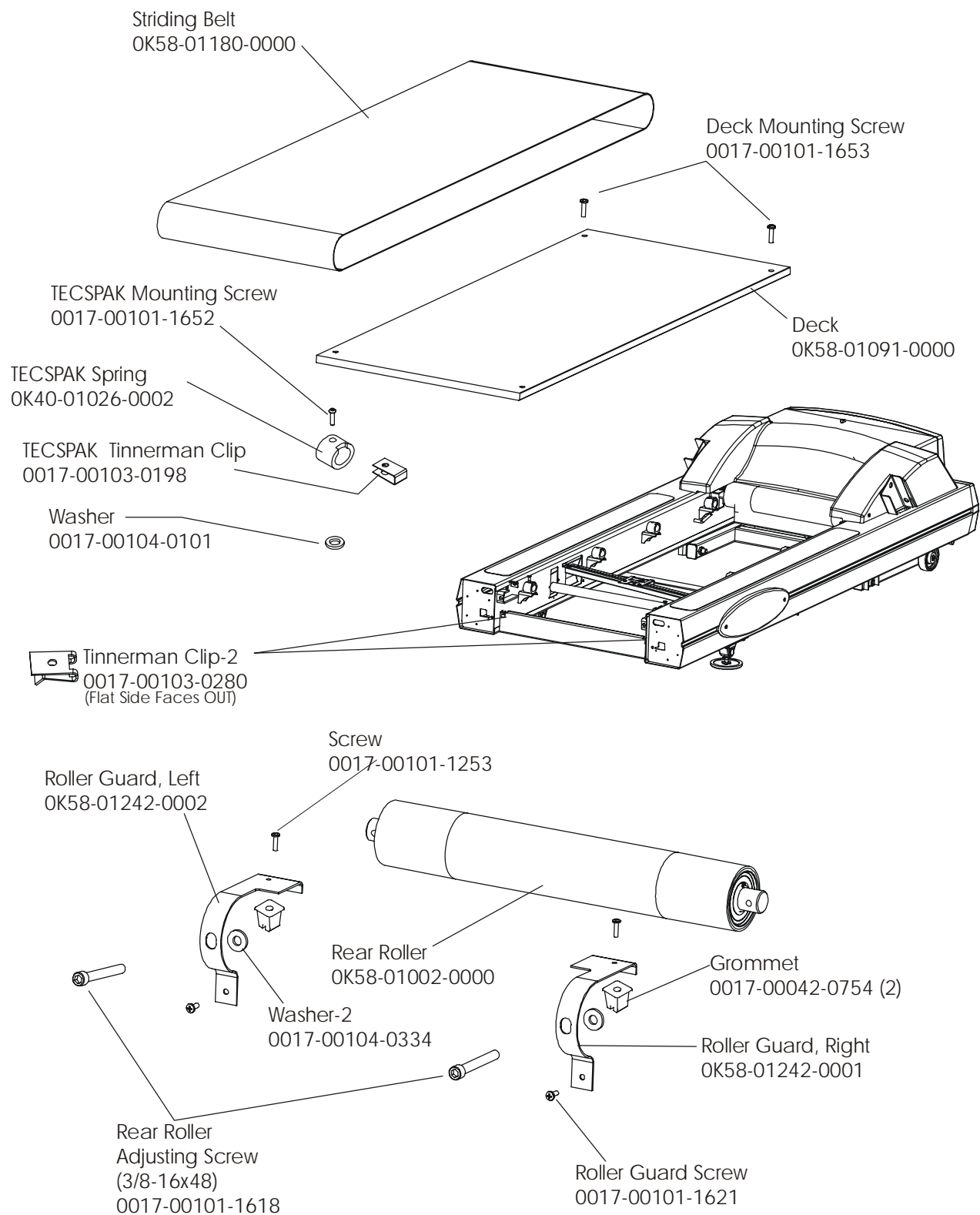




TR95 Treadmill

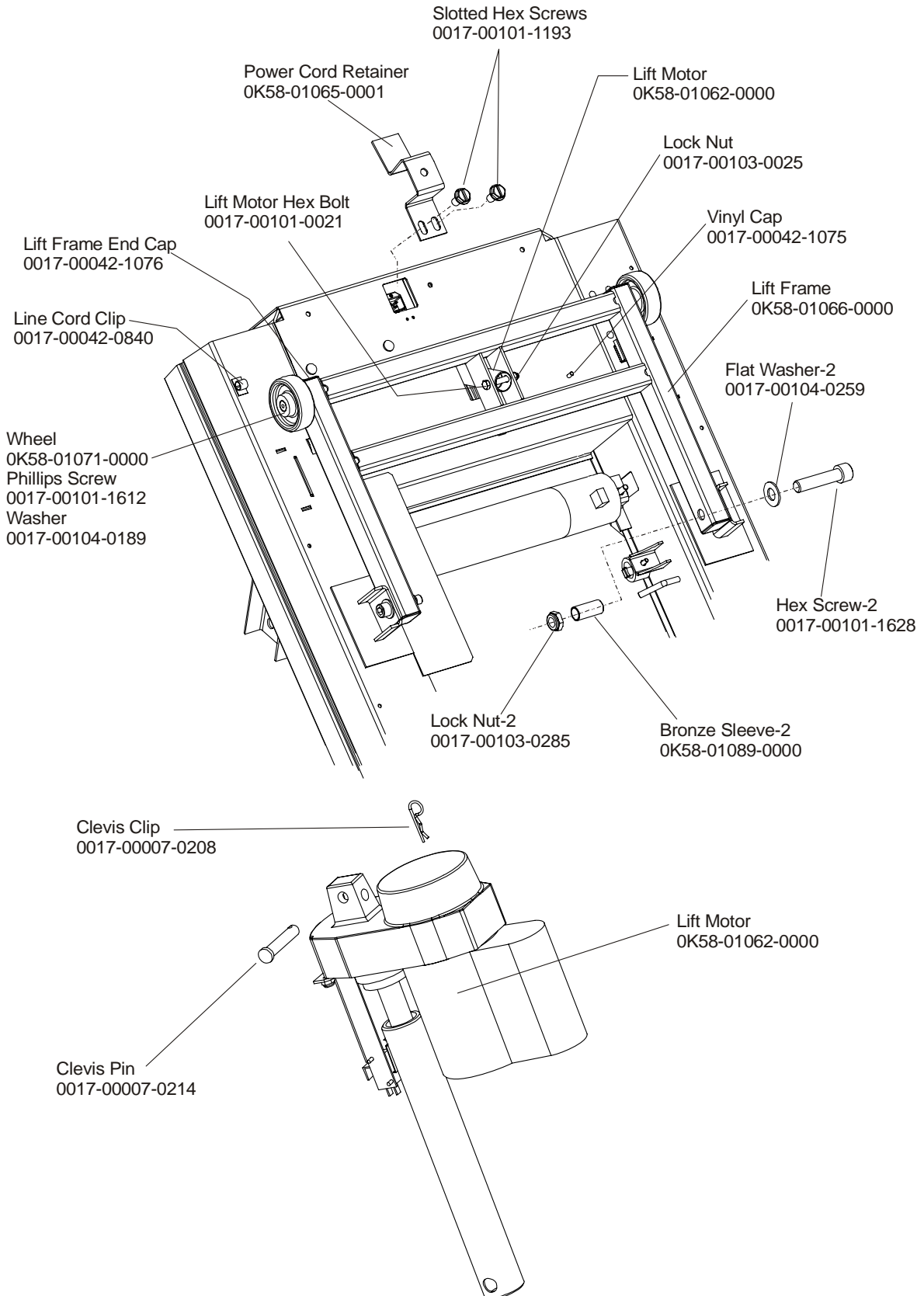
Belt, Deck, Rear Roller

TR95-0100-34



TR95 Treadmill Lift Motor and Lift Frame

TR95-0100-34

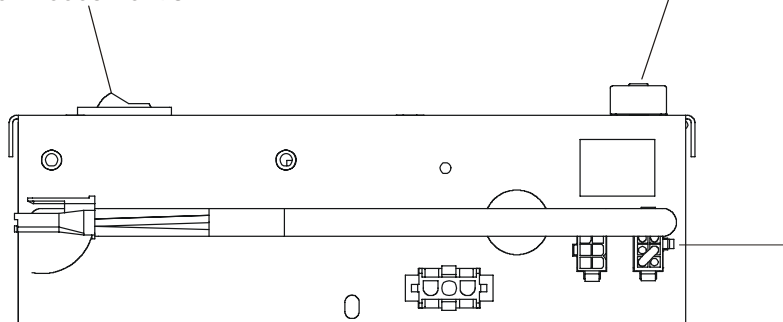


TR95 Treadmill Power Box Assembly

TR95-0100-34

ON/OFF
Power Switch
0017-00032-0198

Circuit Breaker 3-AMP
0017-00003-0700

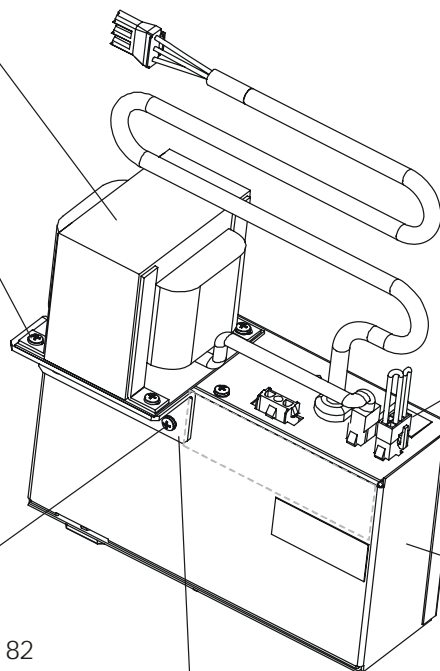


TOP VIEW

Transformer (EURO Only)
0017-00003-0905

Phillips Pan
Head Screw
(8-32x6)
0017-00101-0162

Phillips Pan
Head Screw
(8-32x8)
0017-00101-1182

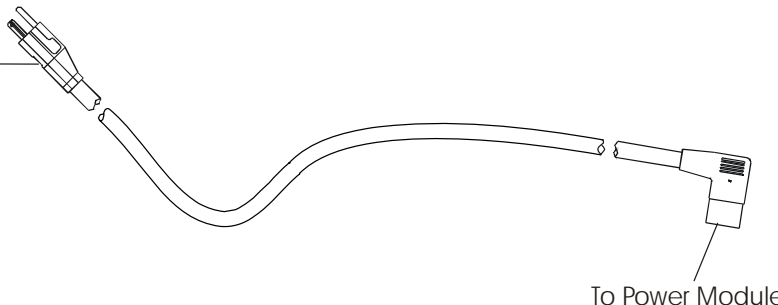


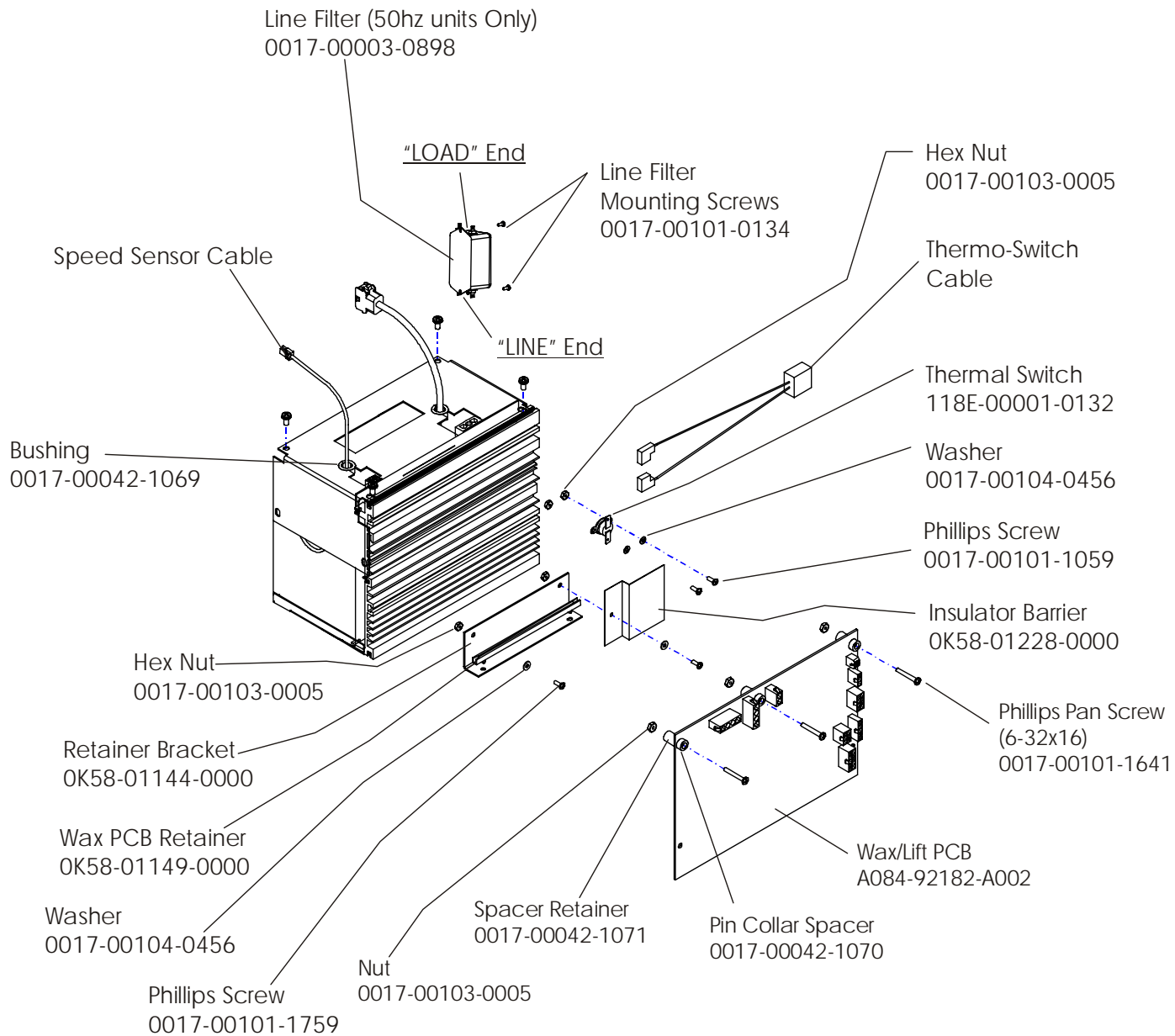
Jumper Line
AK58-00120-0004 - 240V
AK58-00120-0003 - 230V
AK58-00120-0002 - 200V
AK58-00120-0001 - 100V
AK58-00120-0000 - 120V

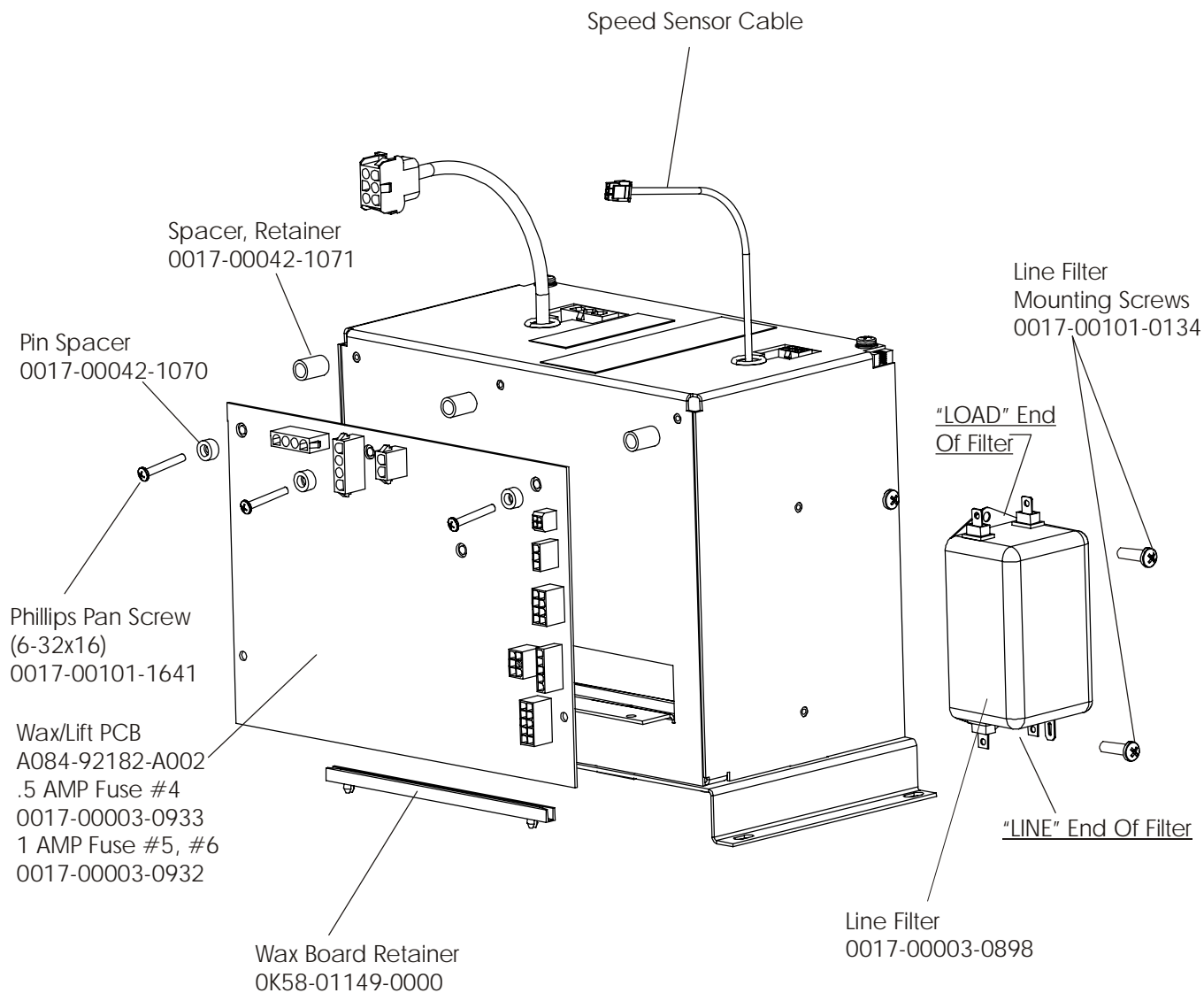
Transformer Bracket
OK58-00120-0004

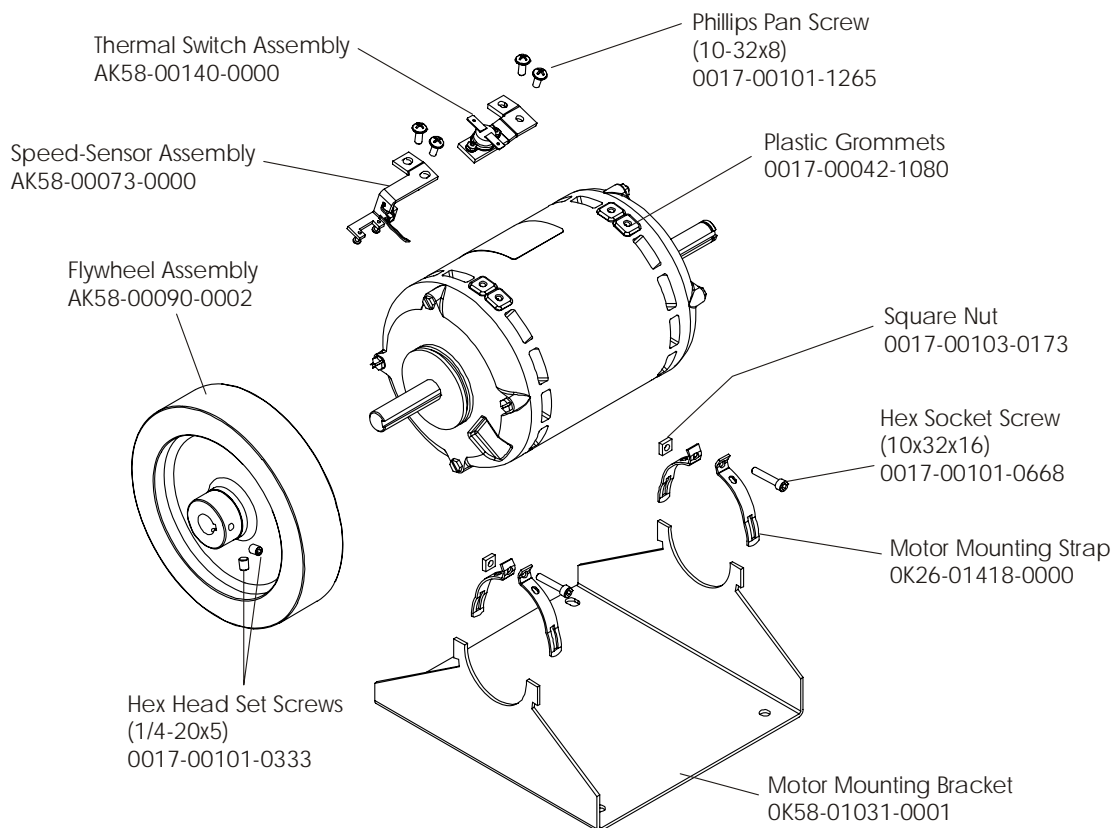
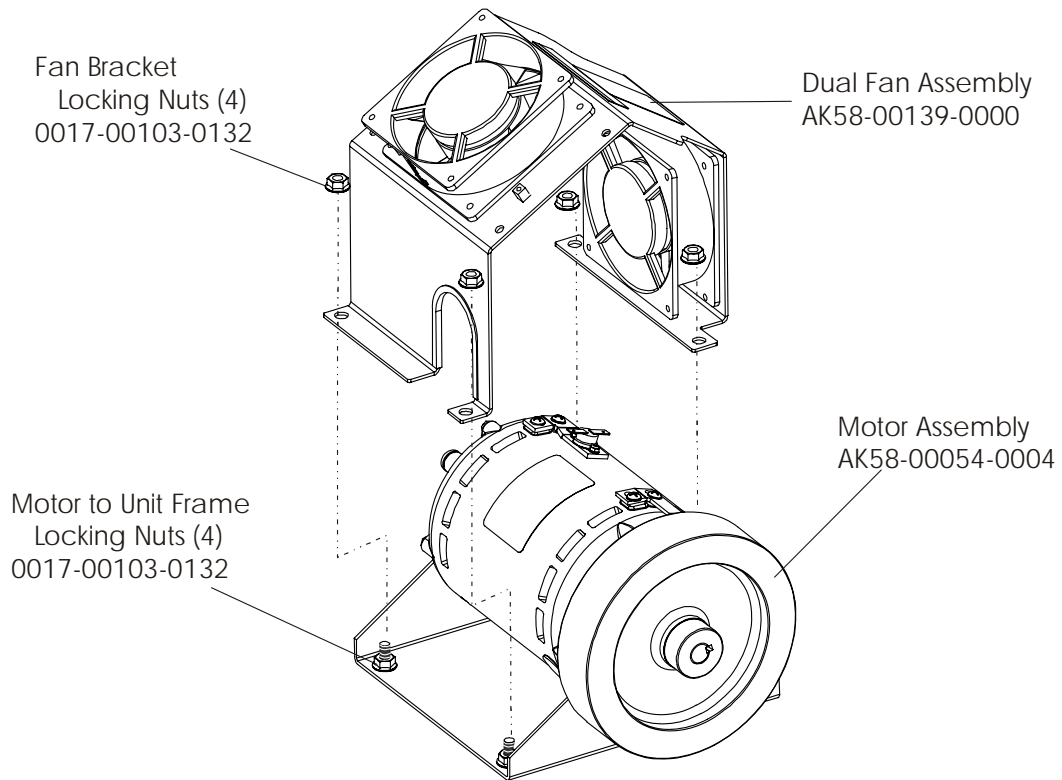
Power Box Assembly
AK58-00124-0004 - 240V
AK58-00124-0002 - 200 - 230V
AK58-00124-0001 - 100V
AK58-00124-0000 - 120V

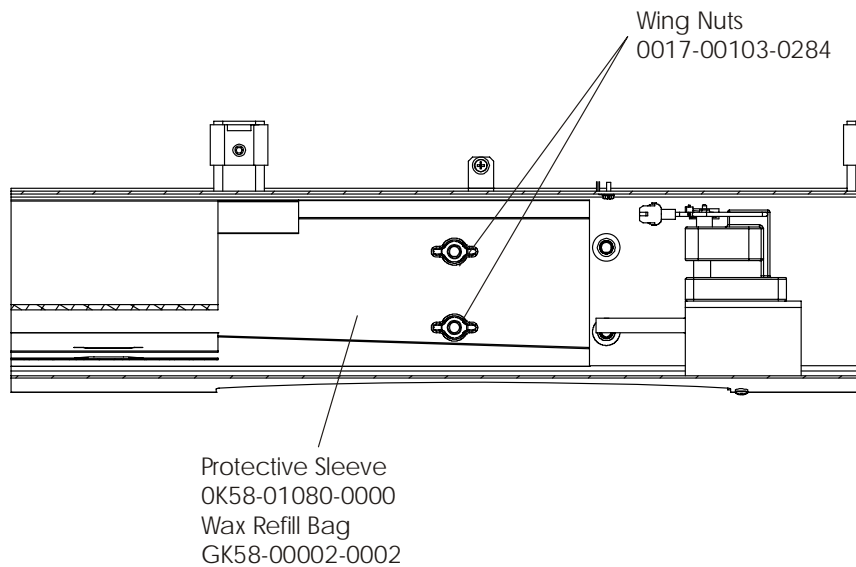
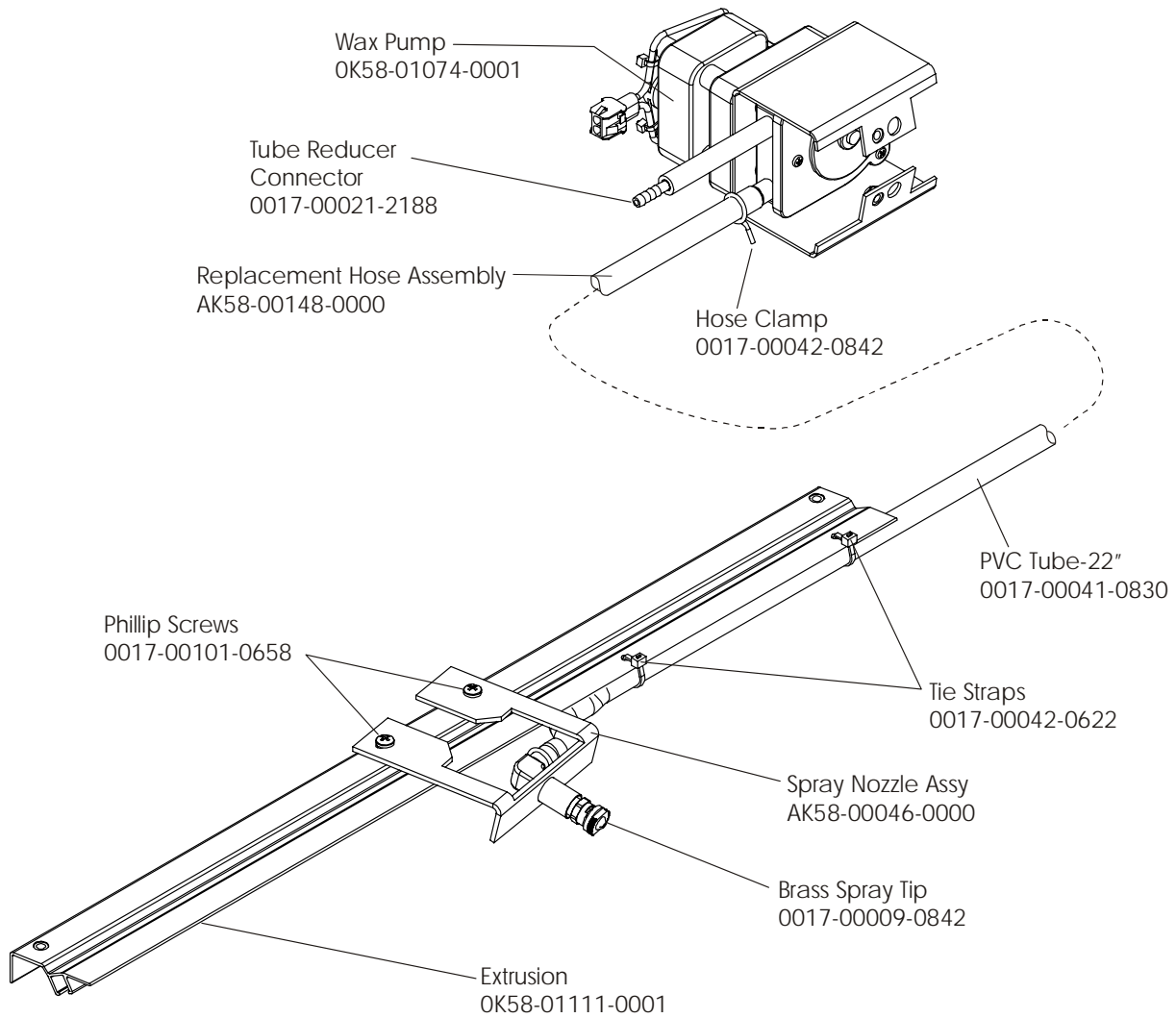
Line Cord
(Plug End Changes)
0017-00003-0947 12' 120v Line Cord
0017-00003-0923 Domestic
0017-00003-0948 12' 220v Line Cord
0017-00003-0915 RT Angle Plug
0017-00003-0781 220v/60Hz
0017-00003-0696 Continental
0017-00003-0890 UK





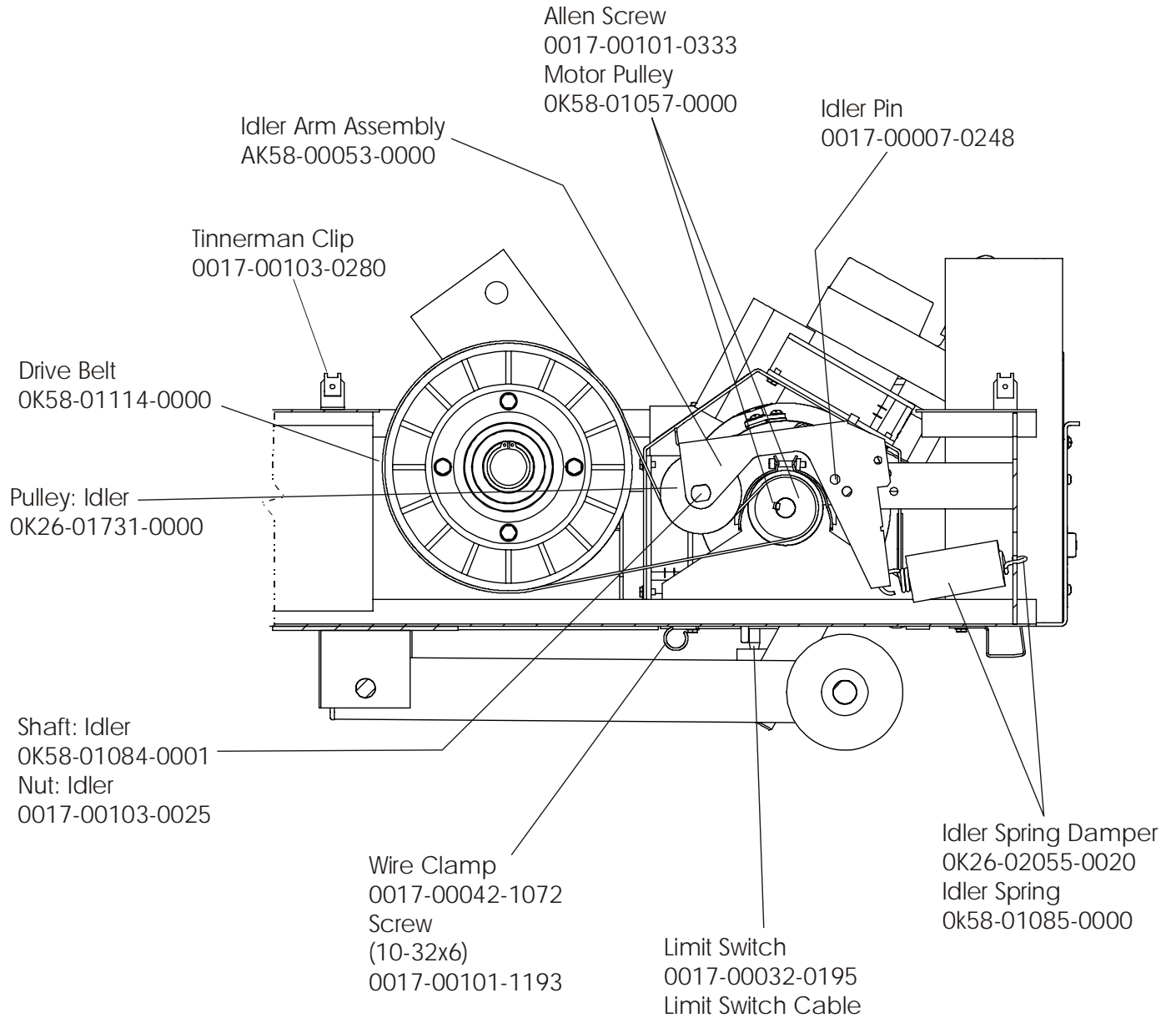






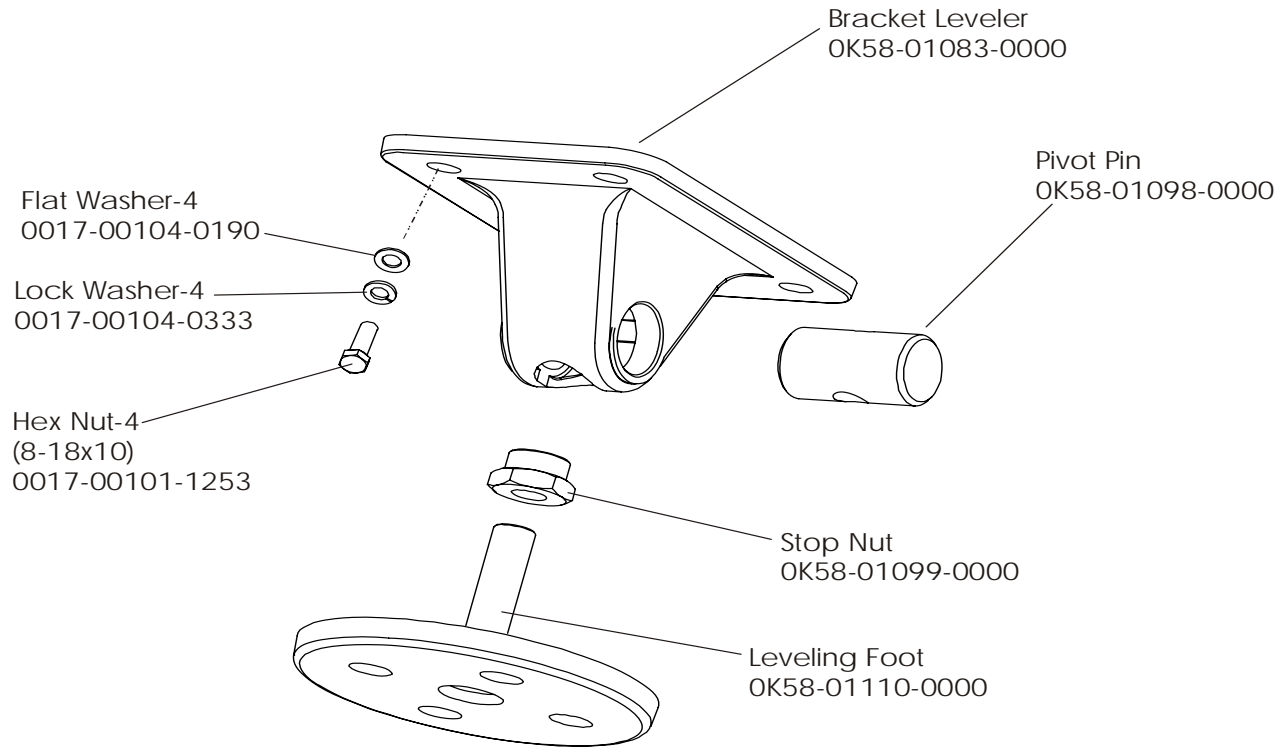
TR95 Treadmill Idler Arm Assembly

TR95-0100-34



TR95 Treadmill
Leveler Assembly – AK58-00052-0000

TR95-0100-34



UNLABELED PARTS	
DESCRIPTION	PART NO.
FUSE: PCM 1.0A 125V N/D	0017-00003-0945
FUSE: PCM 0.5A 125V N/D	0017-00003-0946
1/4 – 20X20 HXS FLT L CS ST ZB B	0017-00101-1775
MOTOR: MAIN-DRIVE; 230/5 D	OK58-01109-0000
COVER: REAR-ROLLER; RT. S/C-C	OK58-01244-0001
COVER: REAR-ROLLER; LT. S/C-C	OK58-01244-0002
COVER: GUARD; RT. C	OK58-01313-0001
COVER: GUARD; LT. C	OK58-01313-0002
CBL-ASSY: JUMPER; BLK; 4" B	AK58-00081-0000
CBL-ASSY: JUMPER; WHT; 6" B	AK58-00082-0000
CBL-ASSY: JUMPER; GRY/YL; 5" B	AK58-00083-0000
CBL-ASSY: JUMPER; GRY/YL; 4" B	AK58-00084-0000
CBL-ASSY: JUMPER; WHT; 6" B	AK58-00085-0000
NC MTR-CNTR ASY; PURCH; 120V S/C-D	AK58-00146-0004
LEG-LEVELER ASSY; PURCHASED B	AK58-00370-0000
INSTR; ASSY; ENG; TR91/95/97 +	M051-00K20-C161
MANUAL: OPER; ING; TR-95/97	M051-00K20-E159
MANUAL: SERV; TR91/95/9700HR B	M051-00K58-A008

TR95 Treadmill
Front Roller Assy – AK58-00066-0000

TR95-0100-34

