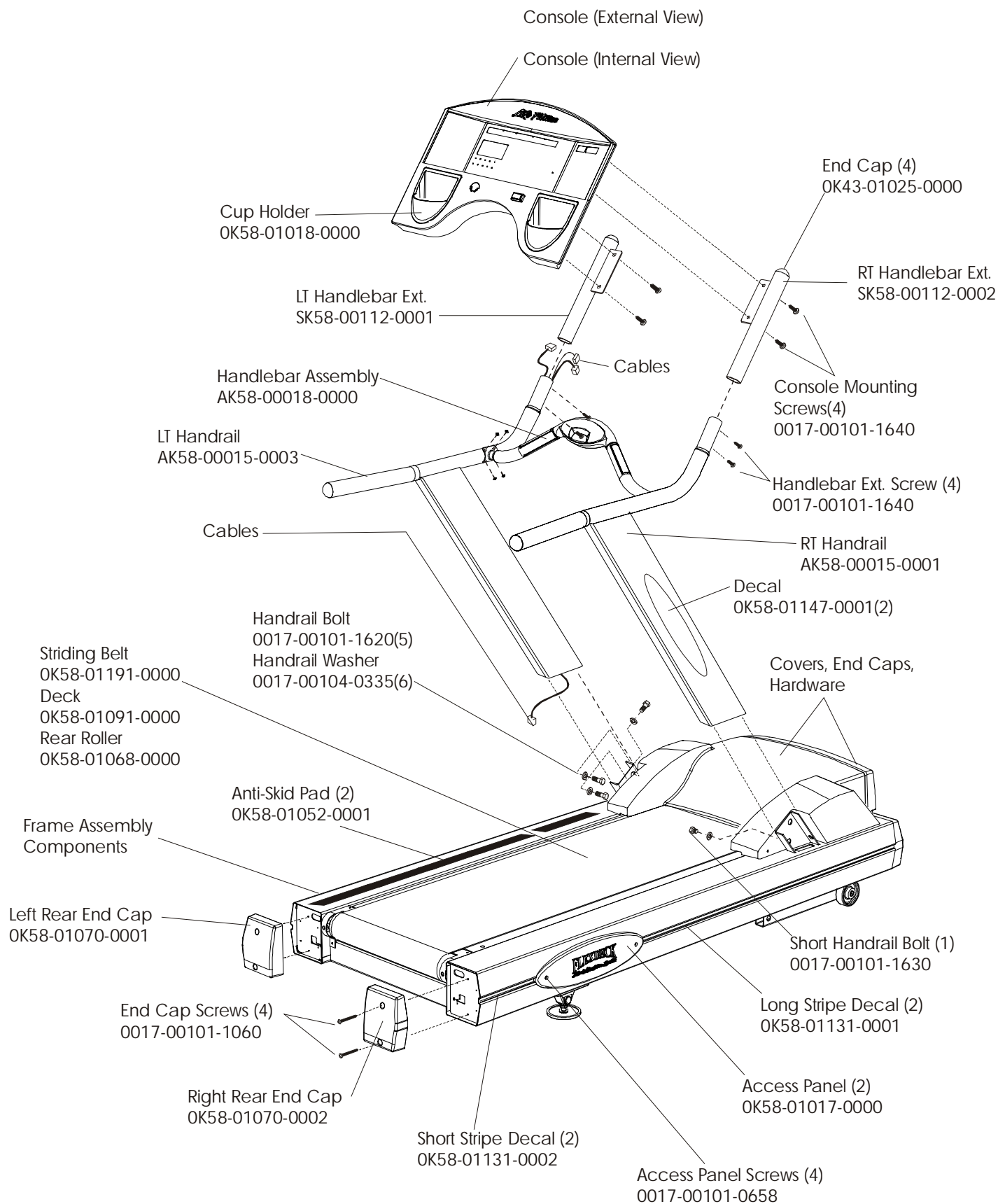


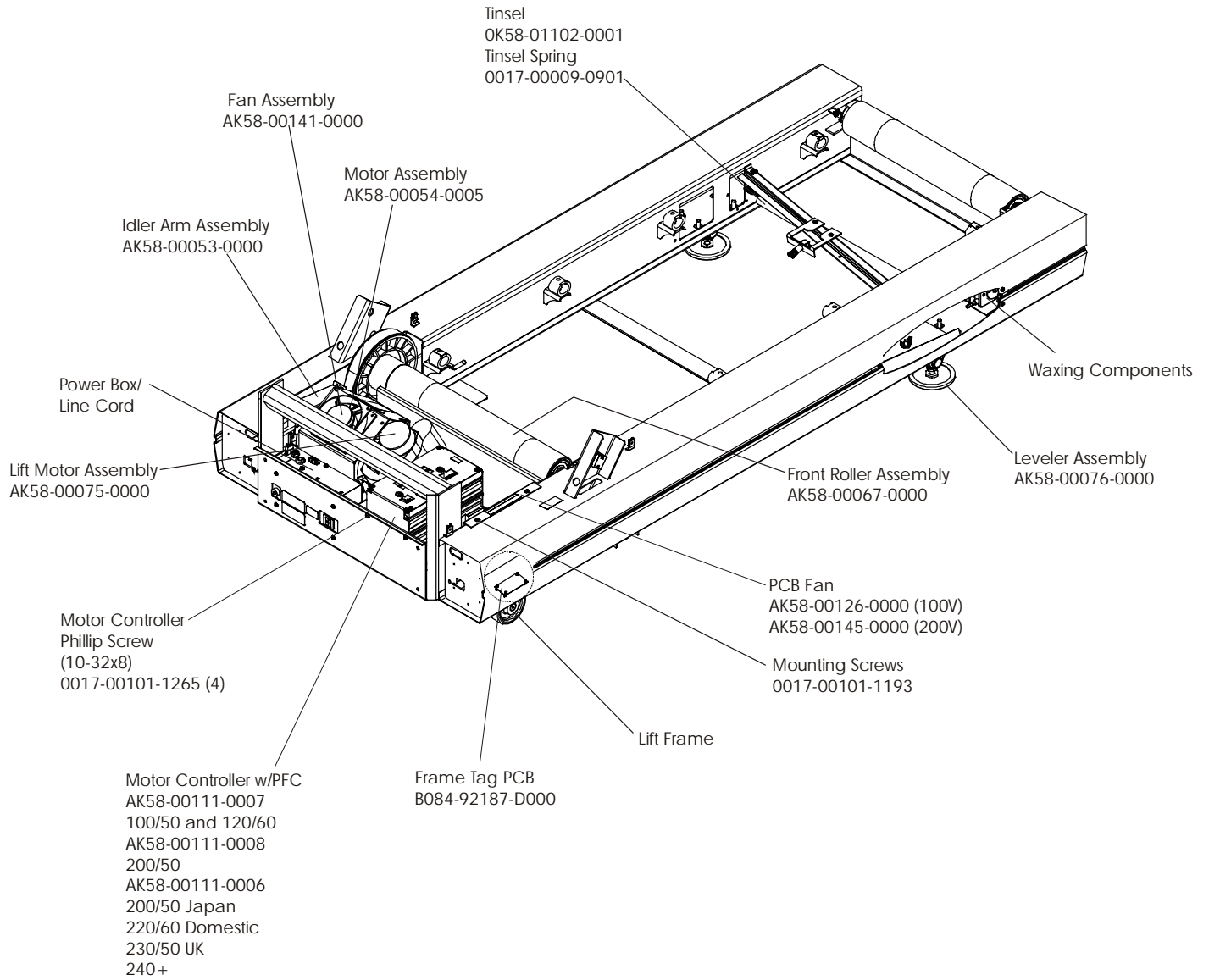
TR97 Treadmill w/Decline General Assembly

TR97-01XX-02



TR97 Treadmill w/Decline Frame Assembly Components

TR97-01XX-02

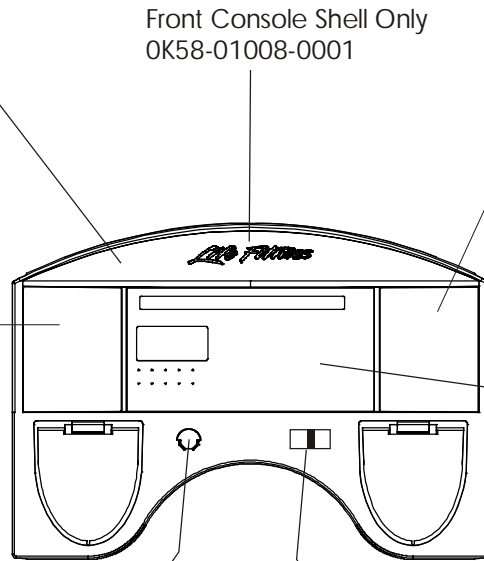


TR97 Treadmill w/Decline Console (External View)

TR97-01XX-02

- Console Assembly
- AK58-00055-0001 Eng/Met
- AK58-00055-0003 Ger/Met
- AK58-00055-0004 Spn/Met/Eur
- AK58-00055-0005 Eng/Met/Eur
- AK58-00055-0006 Jap/Met
- AK58-00055-0007 Frn/Met/Eur
- AK58-00055-0008 Itl/Met
- AK58-00055-0009 Dut/Met
- AK58-00055-0010 Dut/Met
- AK58-00055-0011 Eng/Met/Eur

- Workout Profiles
- OK56-01216-0001 Eng/Met
- OK56-01216-0003 Ger/Met
- OK56-01216-0004 Spn/Met/Eur
- OK56-01216-0005 Eng/Met/Eur
- OK56-01216-0006 Jap/Met
- OK56-01216-0007 Frn/Met/Eur
- OK56-01216-0008 Itl/Met
- OK56-01216-0009 Dut/Met
- OK56-01216-0010 Dut/Met
- OK56-01216-0011 Eng/Met/Eur



Front Console Shell Only
OK58-01008-0001

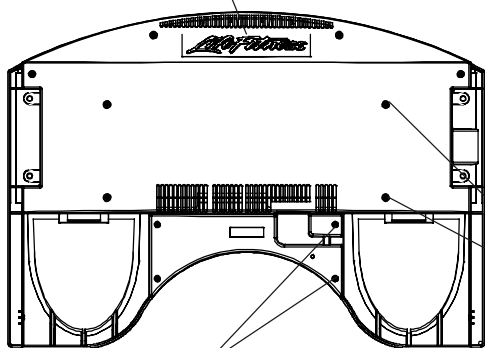
- Zone Training Overlay
- OK56-01215-0001 Eng/Met
- OK56-01215-0003 Ger/Met
- OK56-01215-0004 Spn/Met/Eur
- OK56-01215-0005 Eng/Met/Eur
- OK56-01215-0006 Jap/Met
- OK56-01215-0007 Frn/Met/Eur
- OK56-01215-0008 Itl/Met
- OK56-01215-0009 Dut/Met
- OK56-01215-0010 Dut/Met
- OK56-01215-0011 Eng/Met/Eur

- Tray/Switch w/Overlay Assy
- AK58-00061-0001 Eng/Met
- AK58-00061-0003 Ger/Met
- AK58-00061-0004 Spn/Met/Eur
- AK58-00061-0005 Eng/Met/Eur
- AK58-00061-0006 Jap/Met
- AK58-00061-0007 Frn/Met/Eur
- AK58-00061-0008 Itl/Met
- AK58-00061-0009 Dut/Met
- AK58-00061-0010 Dut/Met
- AK58-00061-0011 Eng/Met/Eur

Stop Key w/Tether
AK58-00091-0000

Stop Switch Assembly
Gk58-00002-0007

Rear Console Decal
OK58-01129-0000

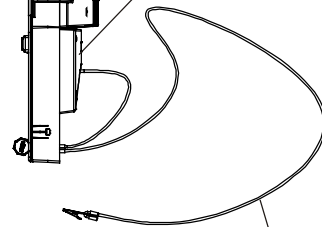


Phillips Screw-4
(8-32x6)
0017-00101-0776

Phillips Screw-8
(10-32x8)
0017-00101-1288

Rear Console
OK58-01009-0000

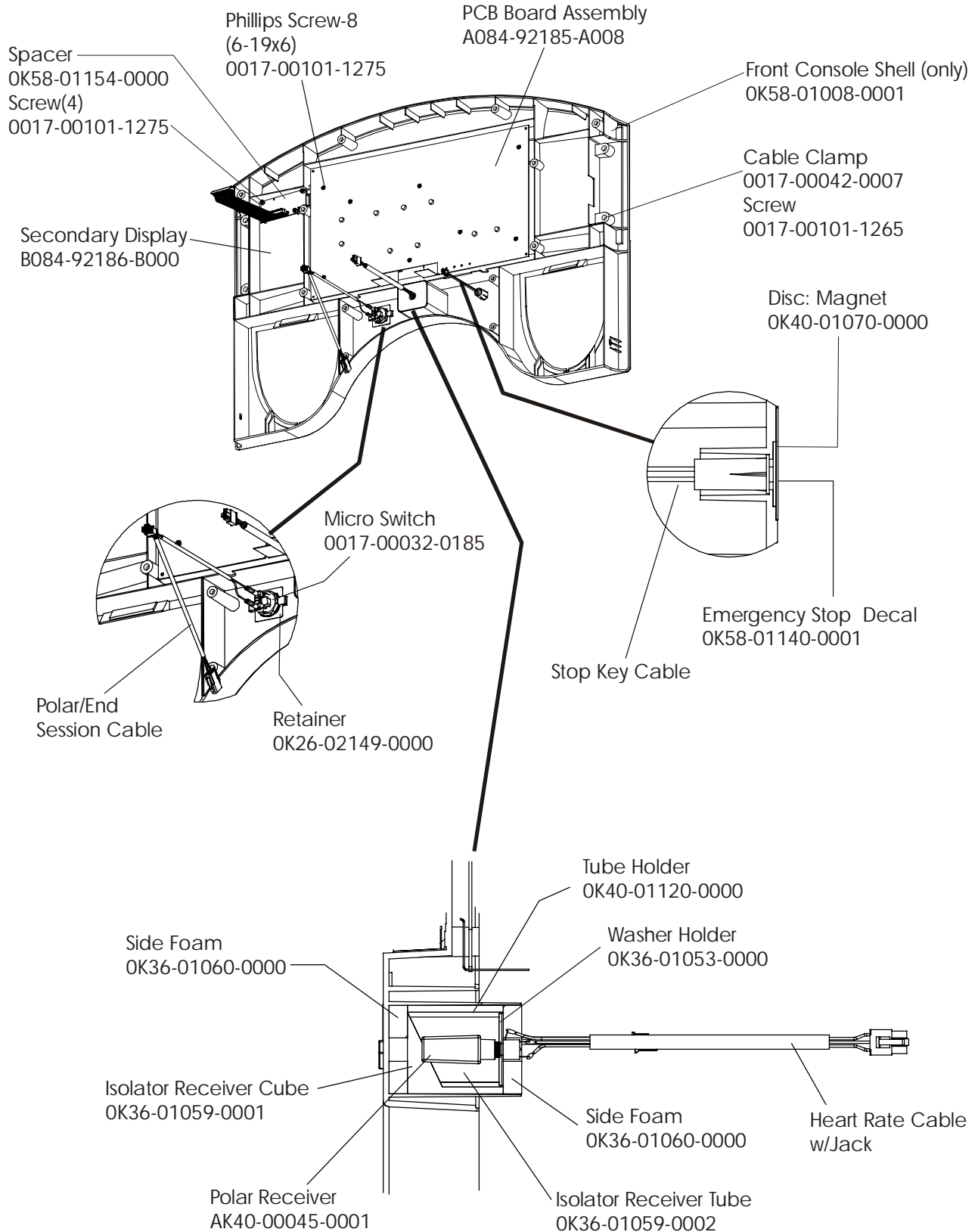
- Switch Cover
w/Tether
AK58-00096-0000
- Cover Only
OK58-01087-0000
- Anchor Washer
OK58-01158-0000

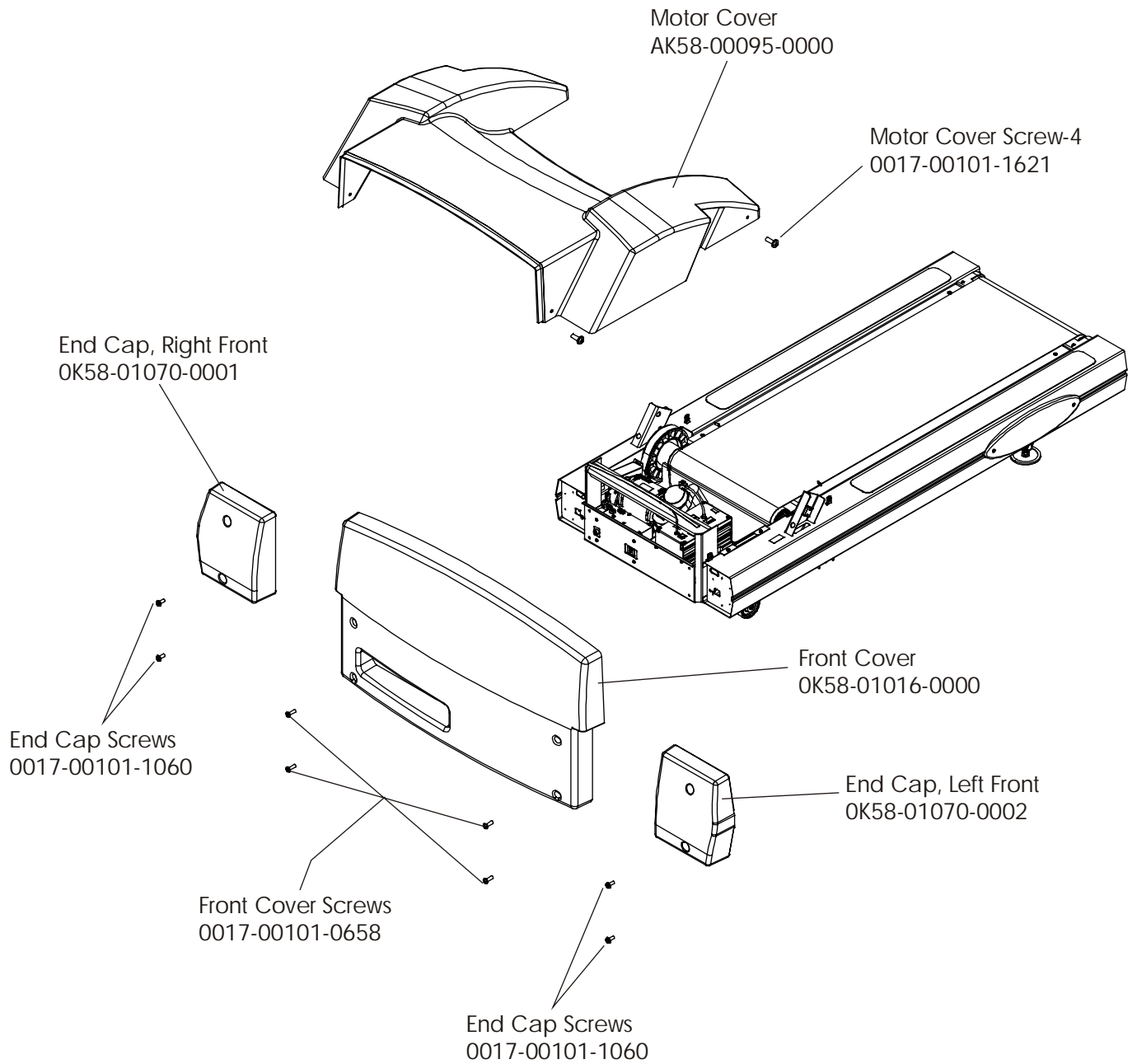


Stop Key w/Tether
AK58-00091-0000

**TR97 Treadmill w/Decline
Console (Internal View)**

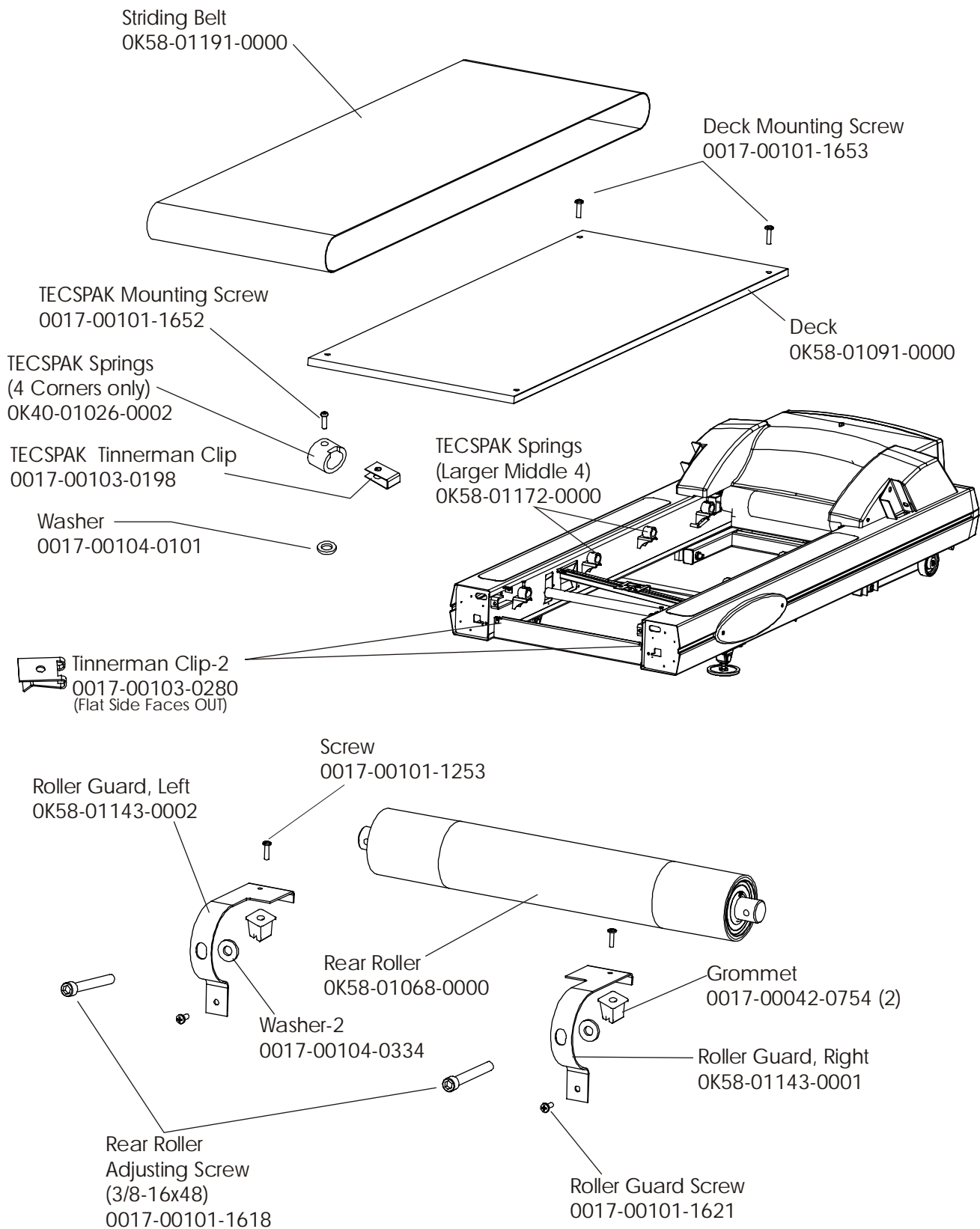
TR97-01XX-02





TR97 Treadmill w/Decline Belt, Deck, Rear Roller

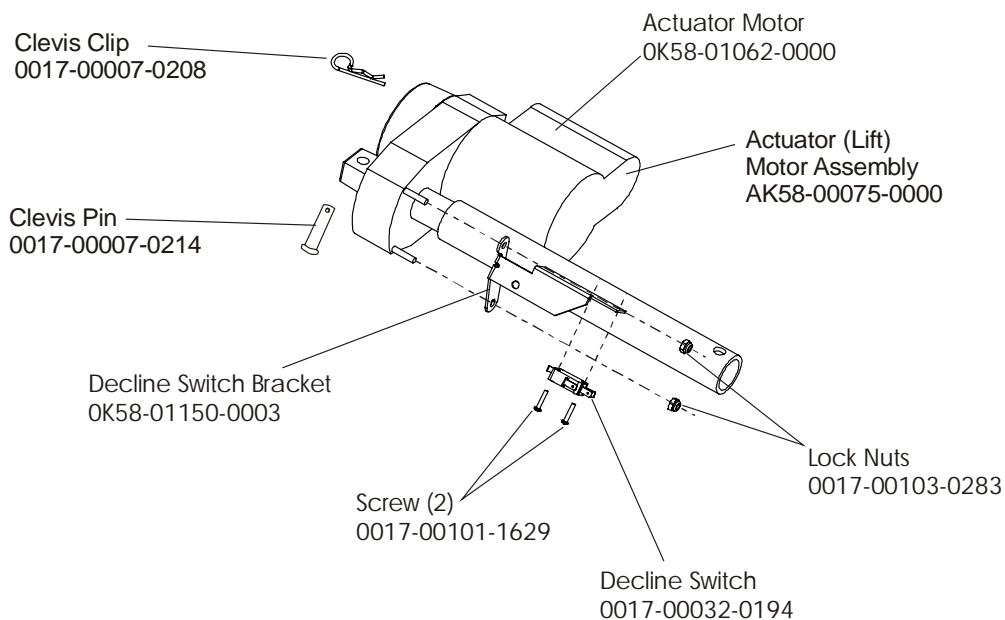
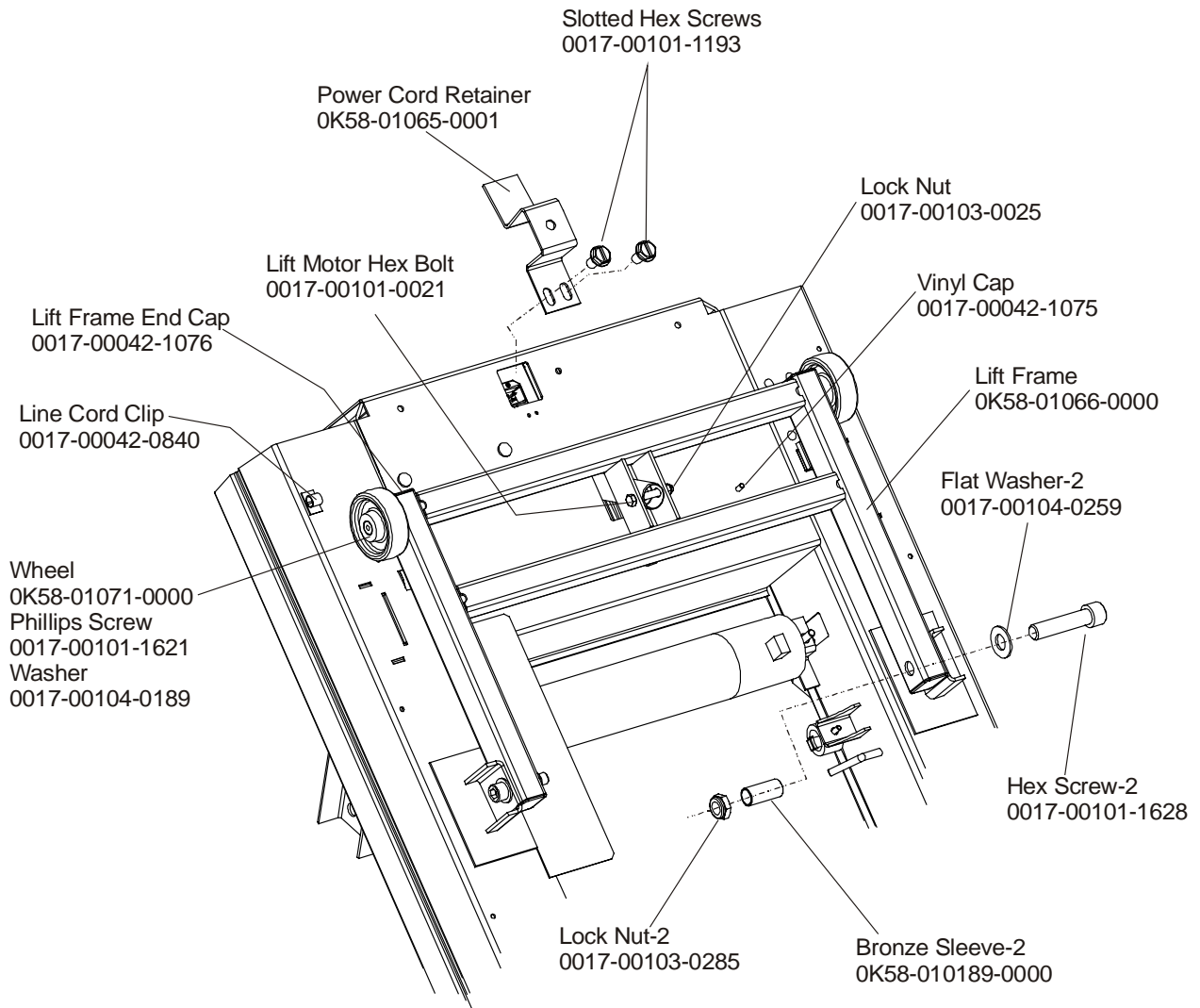
TR97-01XX-02



TR97 Treadmill w/Decline

Lift Motor and Lift Frame

TR97-01XX-02

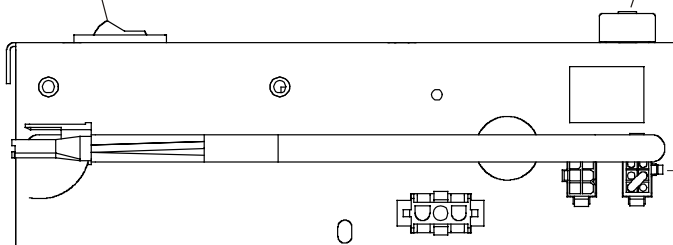


TR97 Treadmill w/Decline Power Box Assembly

TR97-01XX-02

ON/OFF
Power Switch
0017-00032-0198

Circuit Breaker 3-AMP
0017-00003-0700



TOP VIEW

Transformer (EURO Only)
0017-00101-0162

Phillips Pan
Head Screw
(8-32x6)
0017-00101-0162

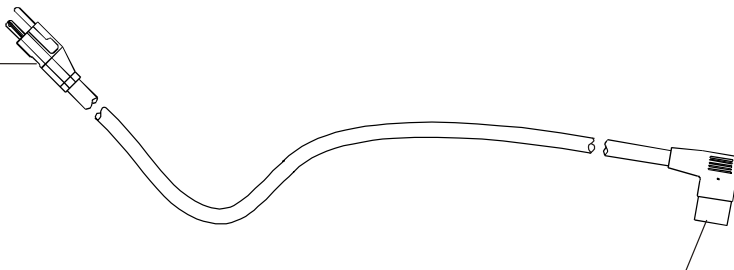
Phillips Pan
Head Screw
(8-32x8)
0017-00101-1182

Transformer Bracket
OK58-00120-0004

Jumper Line
AK58-00120-0004 - 240V
AK58-00120-0003 - 230V
AK58-00120-0002 - 200V
AK58-00120-0001 - 100V
AK58-00120-0000 - 120V

Power Box Assembly
AK58-00124-0001 - 240V
AK58-00124-0002 - 220-230V
AK58-00124-0006 - 200V
AK58-00124-0005 - 100V
AK58-00124-0000 - 120V

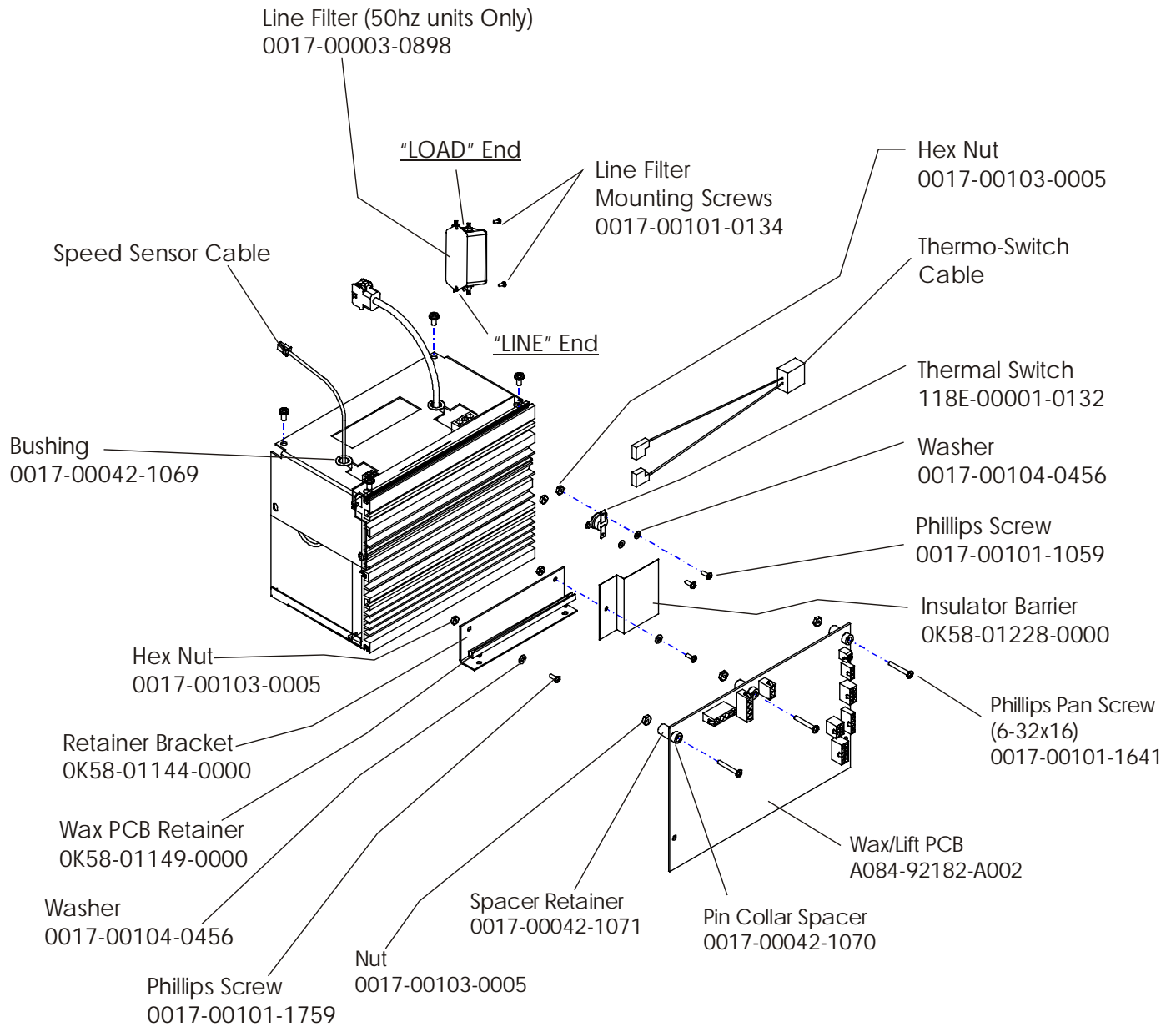
Line Cord
(Plug End Changes)
0017-00003-0947 12' 120v Line Cord
0017-00003-0923 Domestic
0017-00003-0948 12' 220v Line Cord
0017-00003-0915 RT Angle Plug
0017-00003-0781 220v/60Hz
0017-00003-0696 Continental
0017-00003-0890 UK

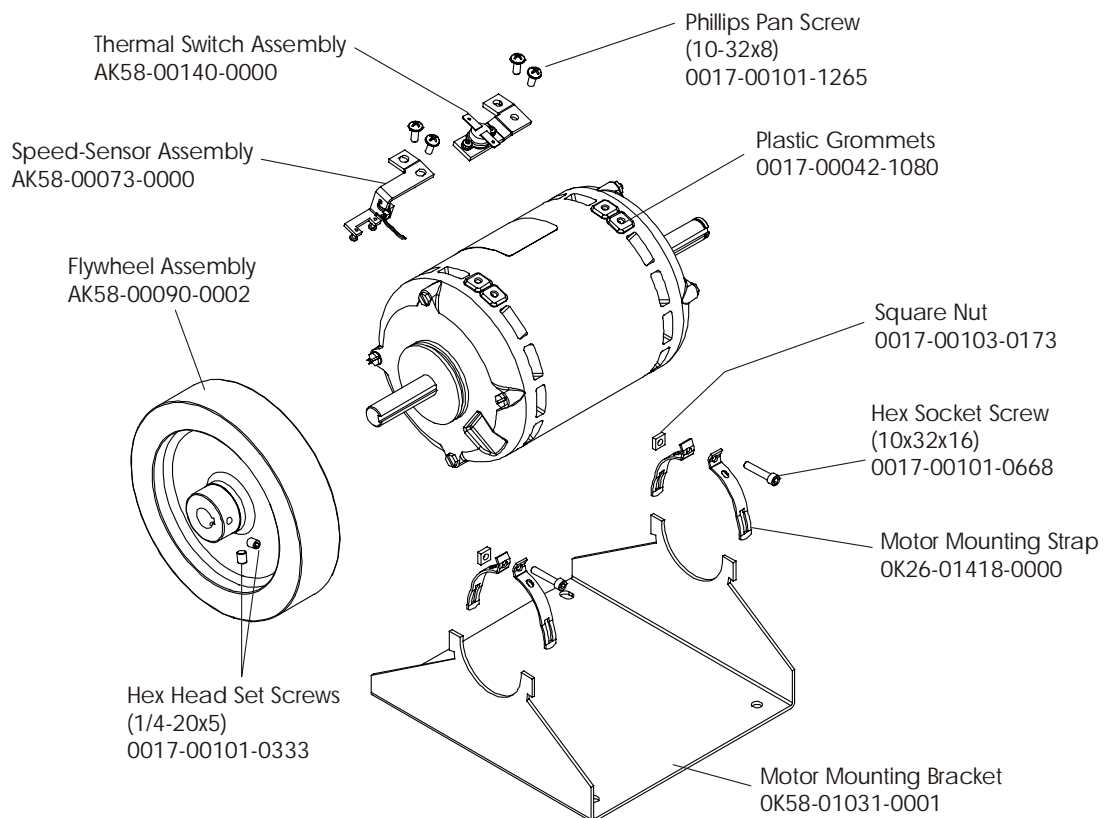
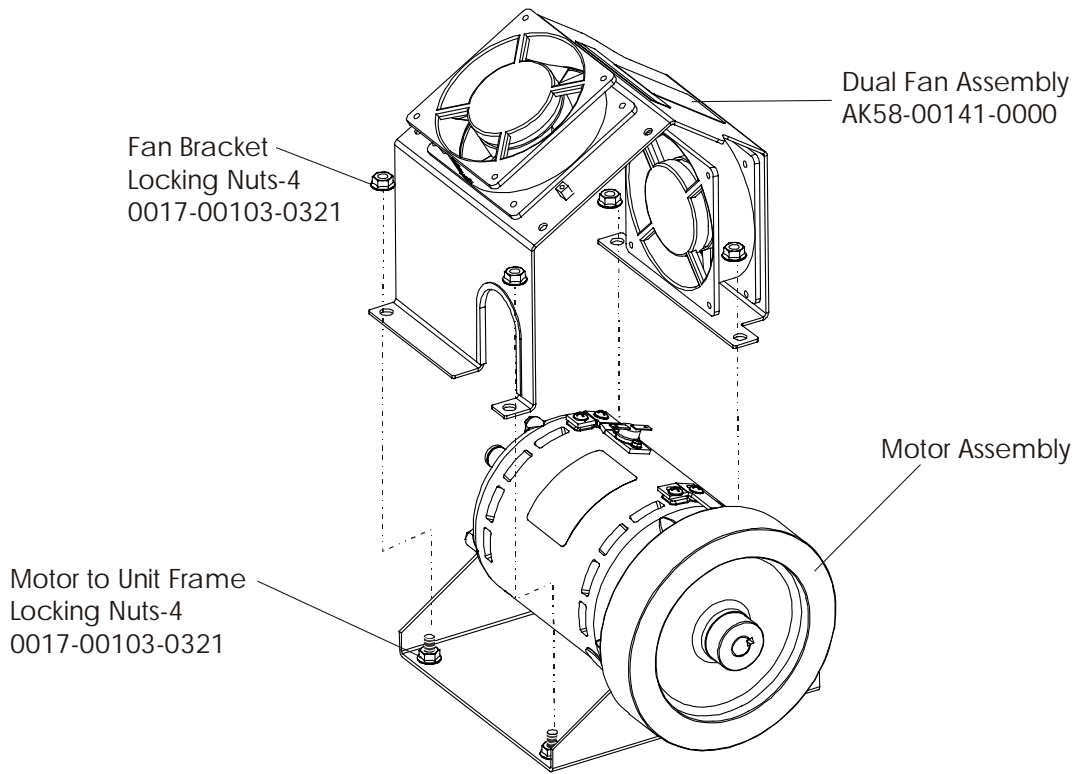


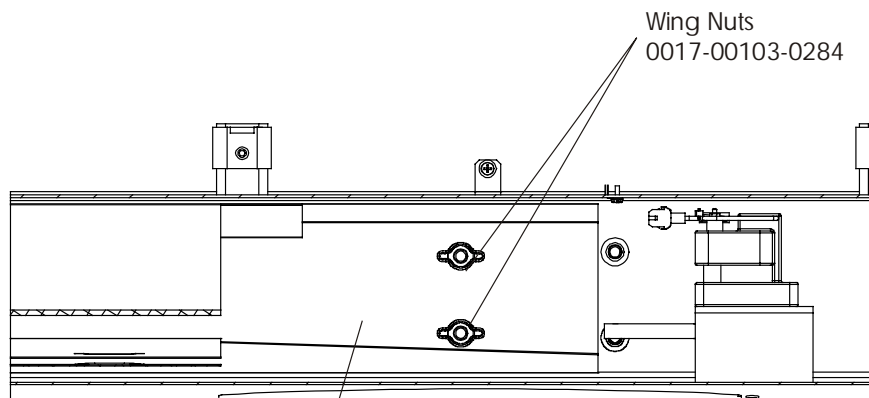
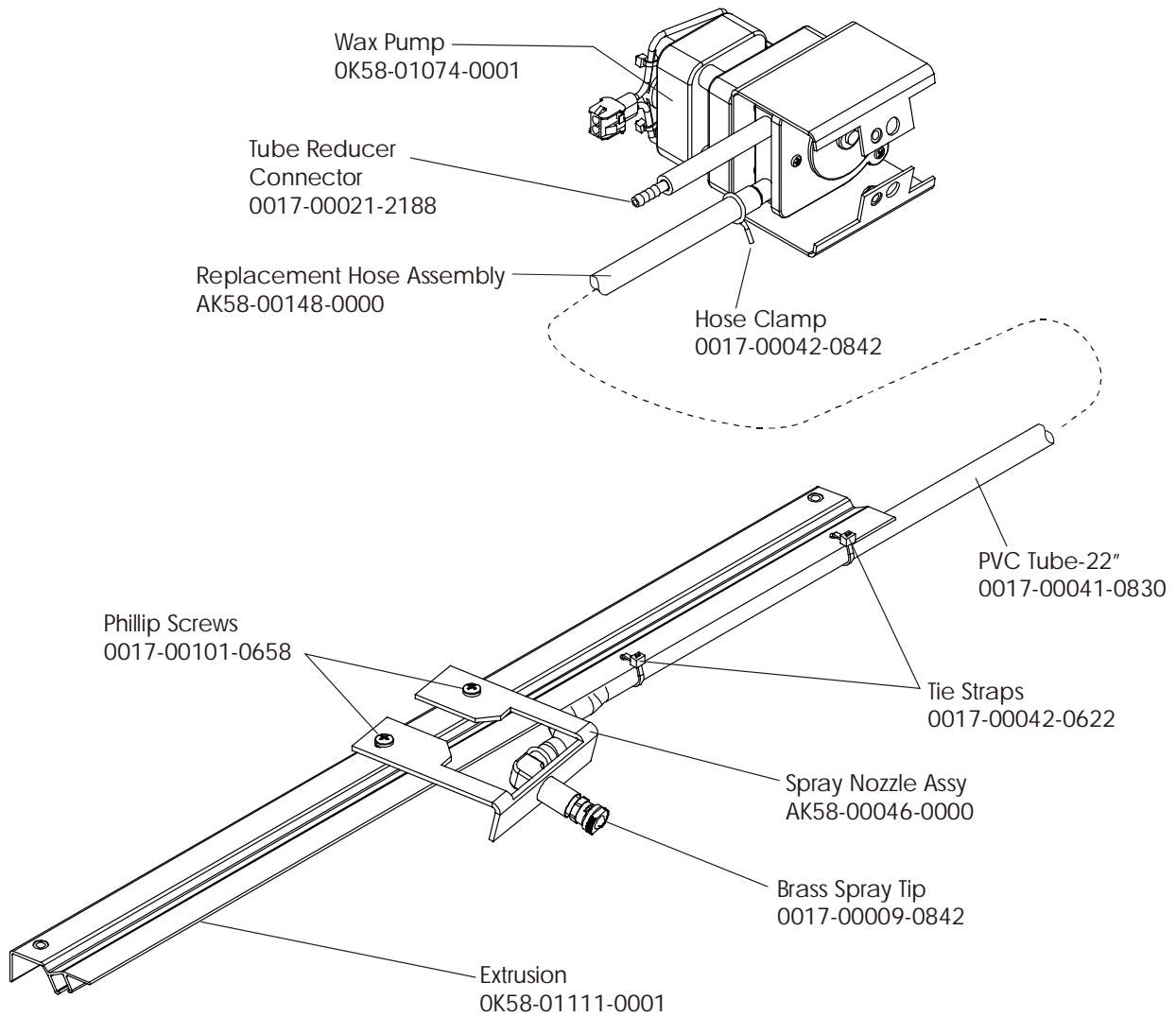
To Power Module

TR97 Treadmill w/Decline Motor Controller w/PFC

TR97-01XX-02

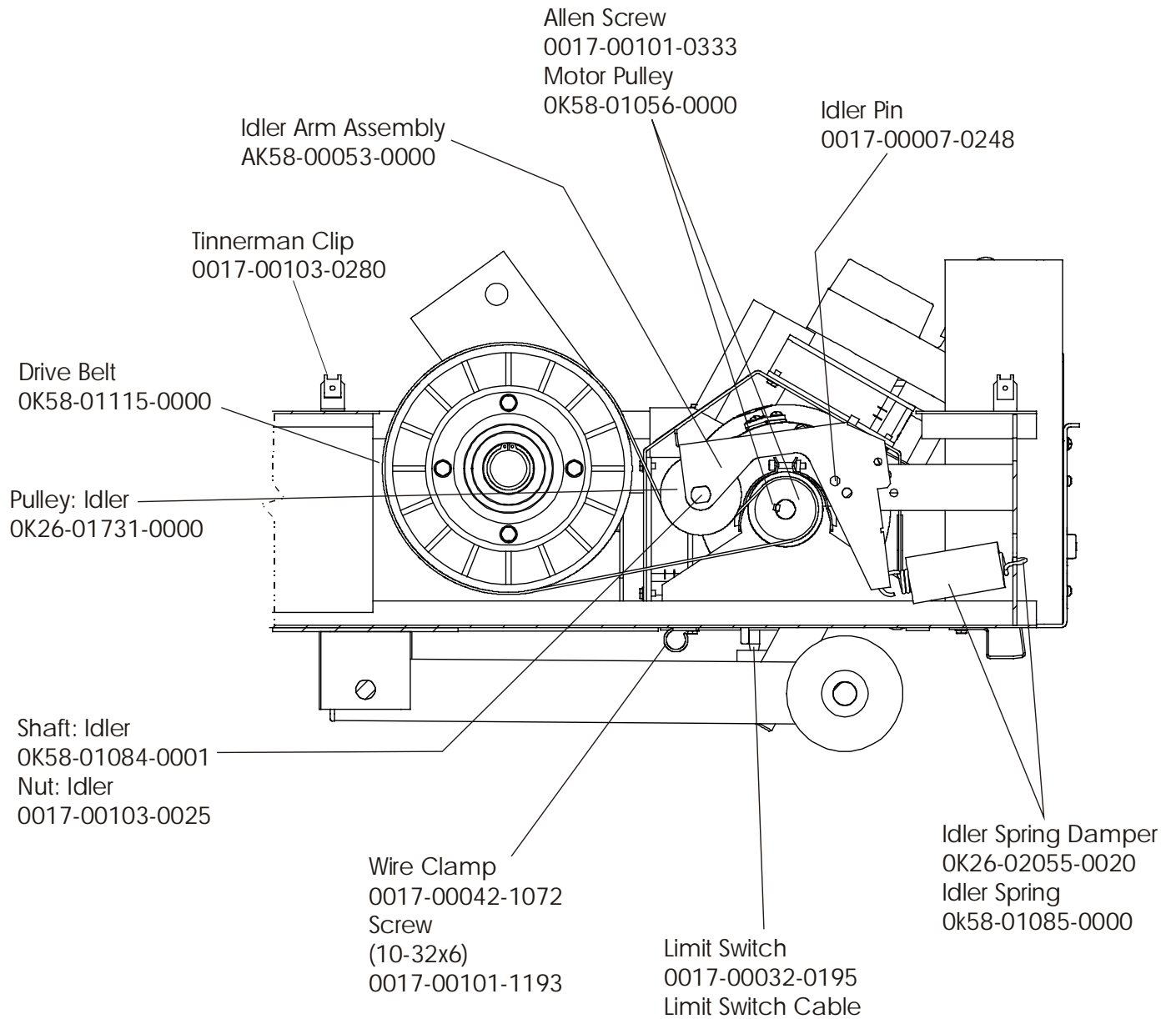






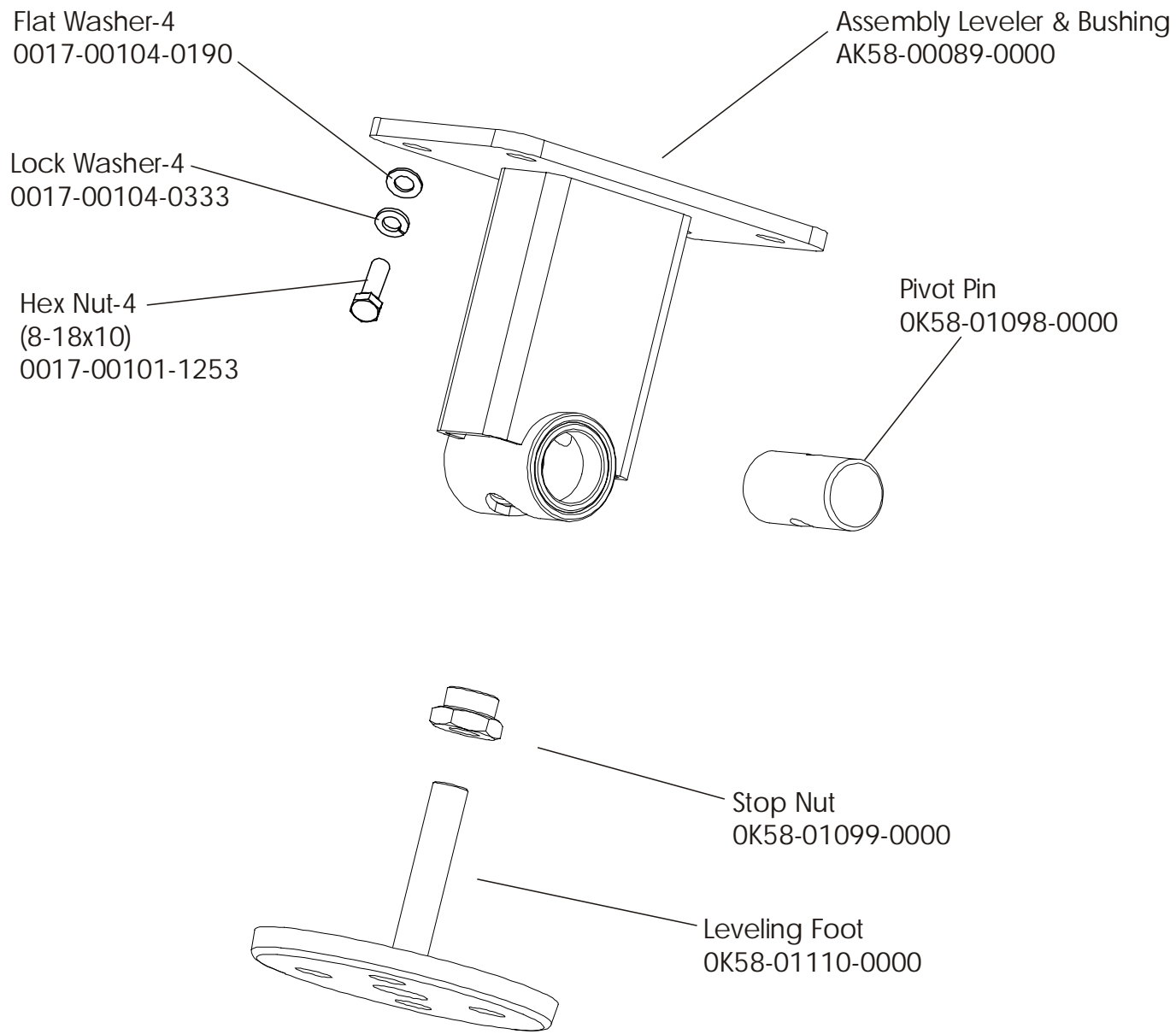
TR97 Treadmill w/Decline
Idler Arm Assembly

TR97-01XX-02



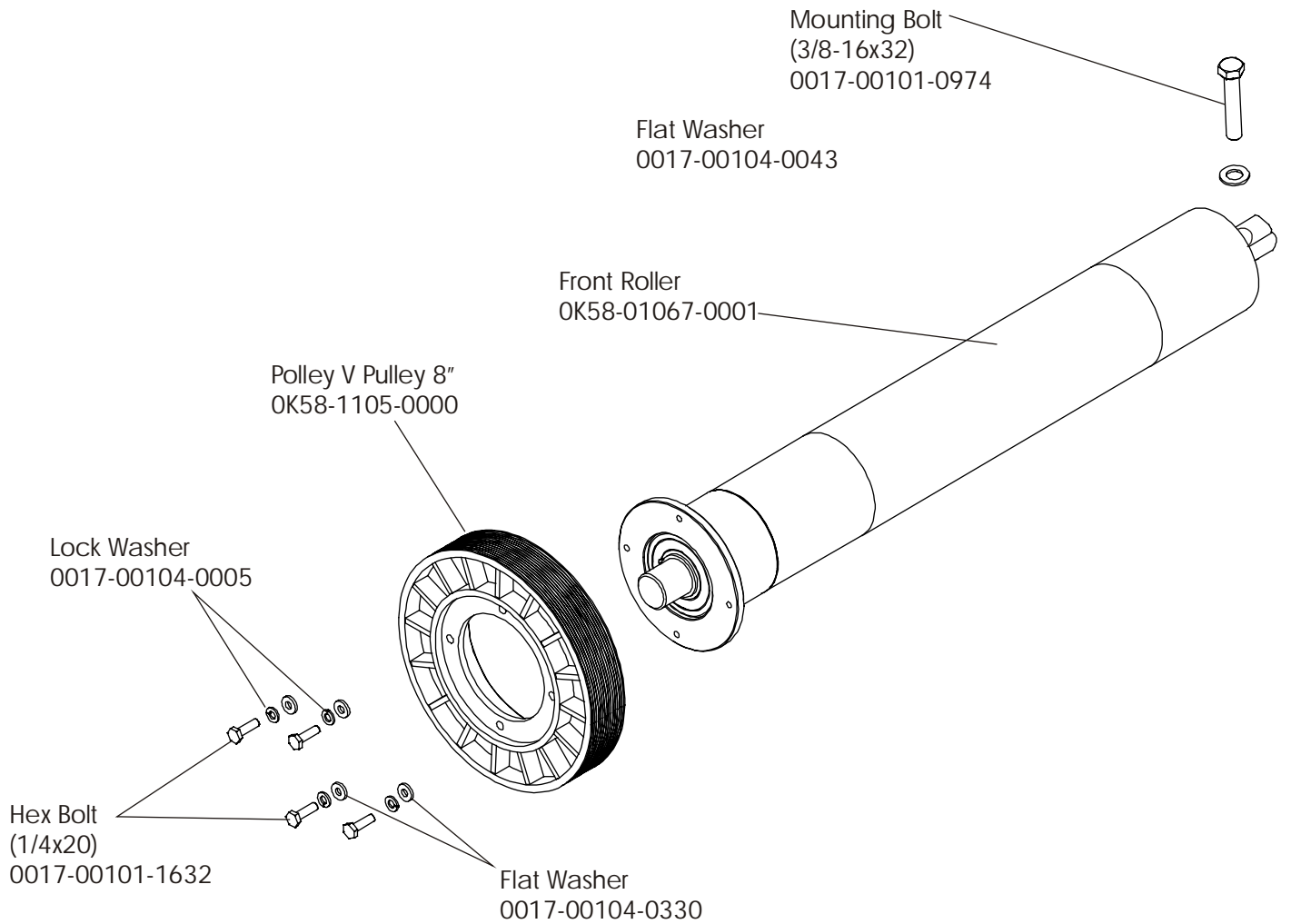
TR97 Treadmill w/Decline
Decline Lever Assy AK58-00076-0000

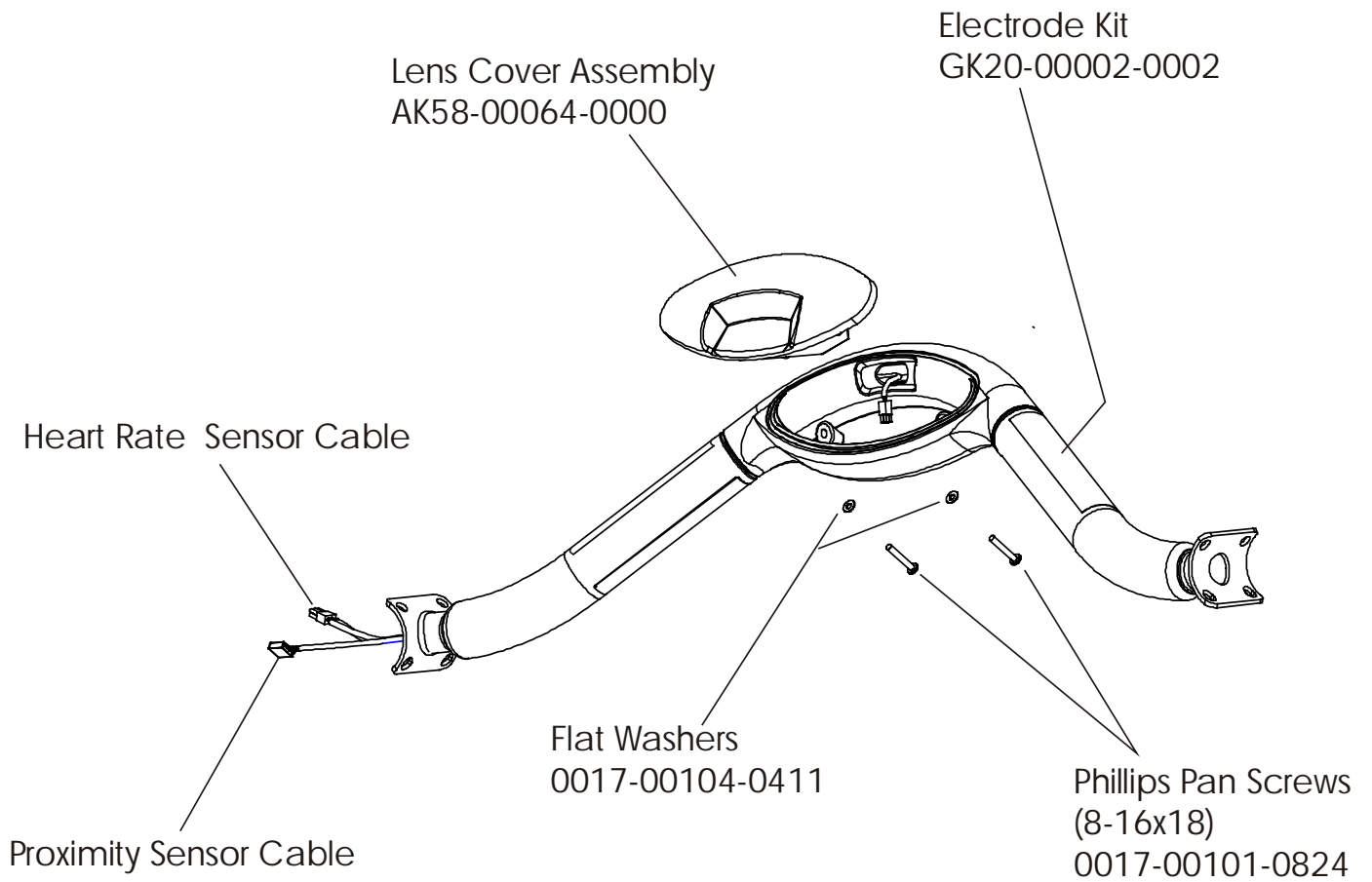
TR97-01XX-02



**TR97 Treadmill w/Decline
Front Roller Assembly**

TR97-01XX-02





TR97 Treadmill w/Decline Cables

TR97-01XX-02

