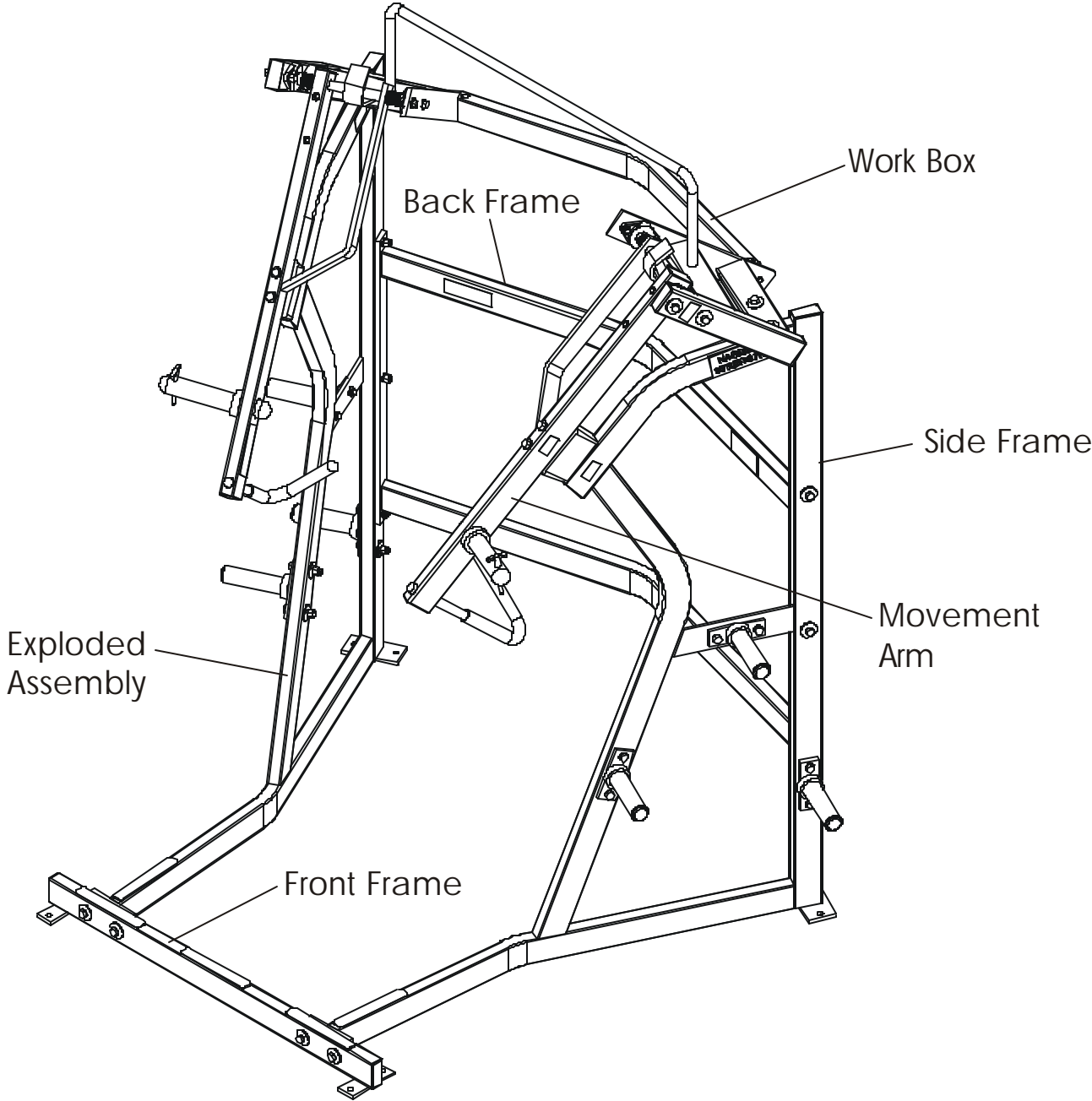
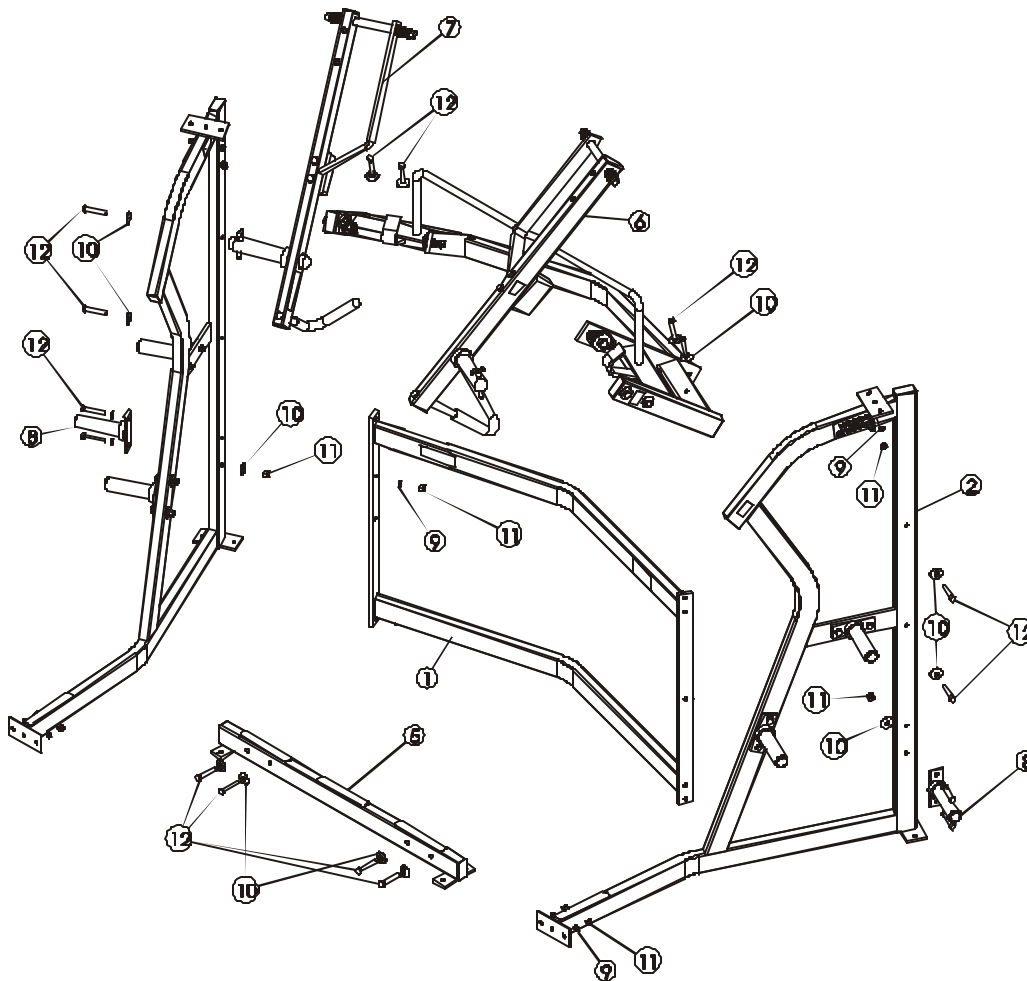


HAMMER STRENGTH EQUIPMENT
GBJ - Ground Base Jammer Assembly Rev. E



HAMMER STRENGTH EQUIPMENT

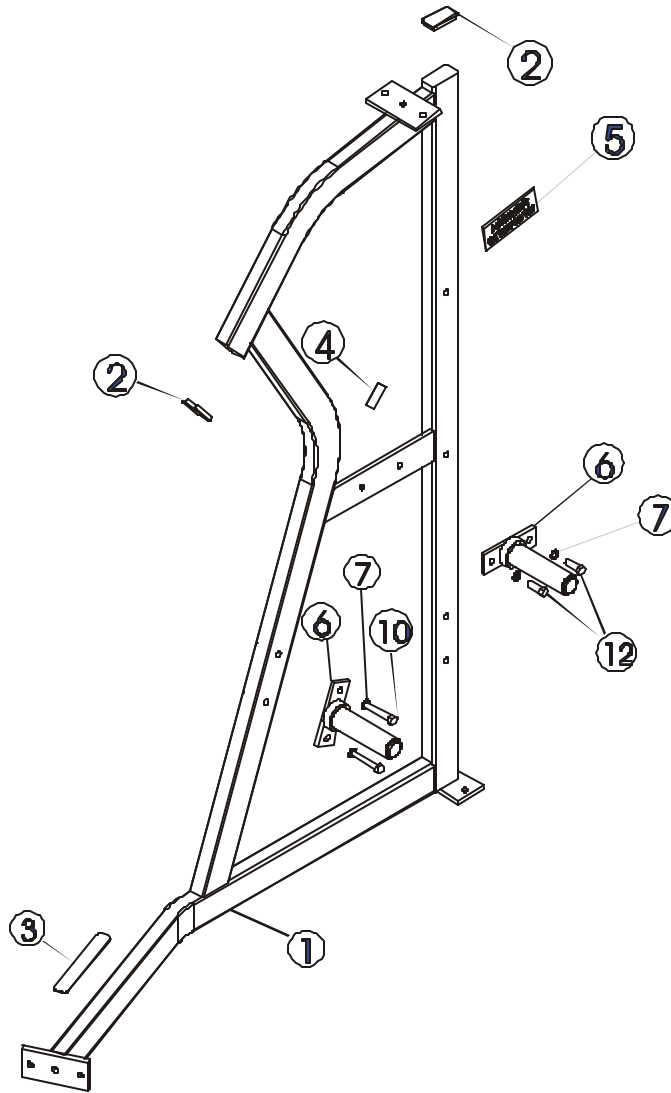
GBJ - Exploded Assembly



ITEM NO.	QTY.	PART NO.	DESCRIPTION
1	1	GBJ-CBX-0	BX Asm
2	1	GBJ-CSFL-0	Left Side Frame Assembly
3	1	GBJ-CSFR-0	RSF Assembly
4	1	GBJ-CTX-0	Workbox Assembly
5	1	GBJ-CFX-0	Front Frame Assembly
6	1	GBJ-CMAL-0	Left Marm Assembly
7	1	GBJ-CMAR-0	Right Marm Assembly
8	2	WT Horn	Weight Horn
9	18	WASH.5STAR	1/2" Internal Lock Washer
10	14	H-BACK-WASH	Backing Washer
11	14	NUT.5LOCK	1/2" Thick Lock Nut
12	16	HHB.5X3	1/2 X 3 Bolt
13	2	NUT.5JAMLOCK	1/2" Thin Lock Nut

HAMMER STRENGTH EQUIPMENT

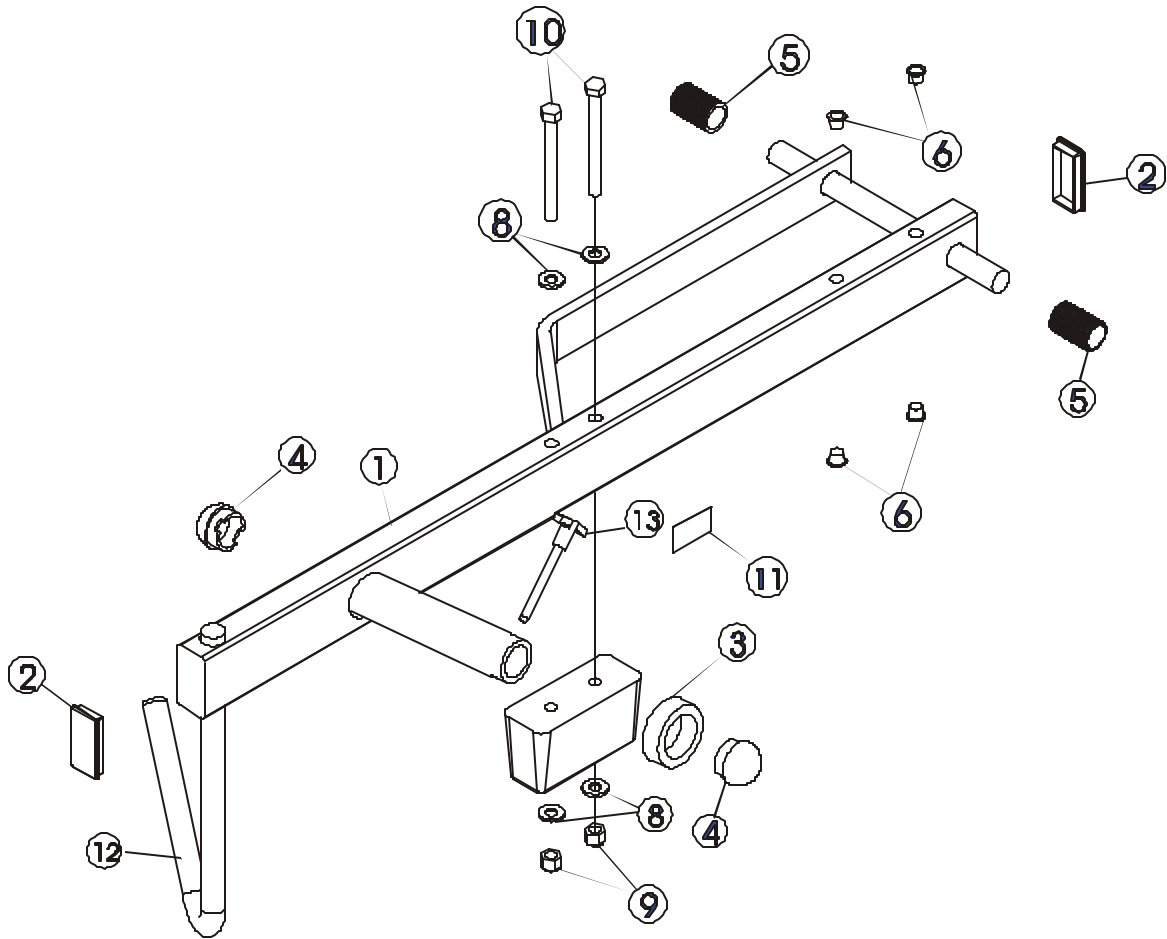
GBJ - Side Frame



ITEM NO.	QTY.	PART NO.	DESCRIPTION
1	1	GBJ-SFR-0	Right Side Frame
1	1	GBJ-SFL-0	Left Side Frame
2	2	H-PEND3	1 1/2 X 3 End Cap
3	1	H-NONSKID1	1 1/4 X 9 Nonskid
4	1	STAY CLEAR	Stay Clear Decal
5	1	H-NAMEPLATE	Name Plate
6	2	WT Horn	Weight Horn
7	6	WASH.5STAR	1/2" Internal Lock Washer
8	2	H-BACK-WASH	Backing Washer
9	2	NUT.5LOCK	1/2" Thick Lock Nut
10	2	HHB.5X3	1/2 X 3 Bolt
11	2	NUT.5JAMLOCK	1/2" Thin Lock Nut
12	2	HHB.5X1.5	1/2 X 1 1/2 Bolt

HAMMER STRENGTH EQUIPMENT

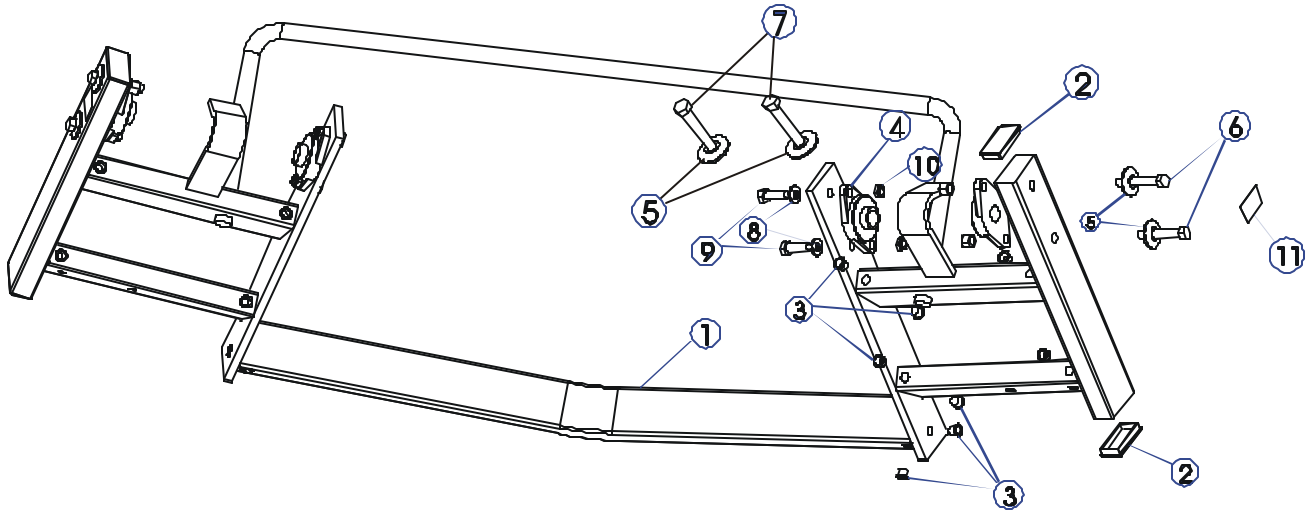
GBJ - Movement Arm



ITEM NO.	QTY.	PART NO.	DESCRIPTION
1	1	GBJ-MAR-0	Right Movement Arm
1	1	GBJ-MAL-0	Left Movement Arm
2	2	H-PEND3	1 1/2 X 3 End Cap
3	1	H-RUBRNG	MM5 Ring
4	2	H-BENDCAP	Bullet Cap
5	2	ACCORDIAN	Shaft Cover
6	4	H-HPLUG	9/16" Hole Plug
7	1	H-BUMP-LGE	MM1 Large
8	4	WASH.5SAE	1/2" SAE Flat Washer
9	2	NUT.5LOCK	1/2" Thick Lock Nut
10	2	HHB.5X5	1/2 X 5 Bolt
11	1	STAY CLEAR	Stay Clear Decal
12	1	H-GRIP(GBJ-E-1)	HandGrip
13	1	SELECTORPIN-4	Selector Pin

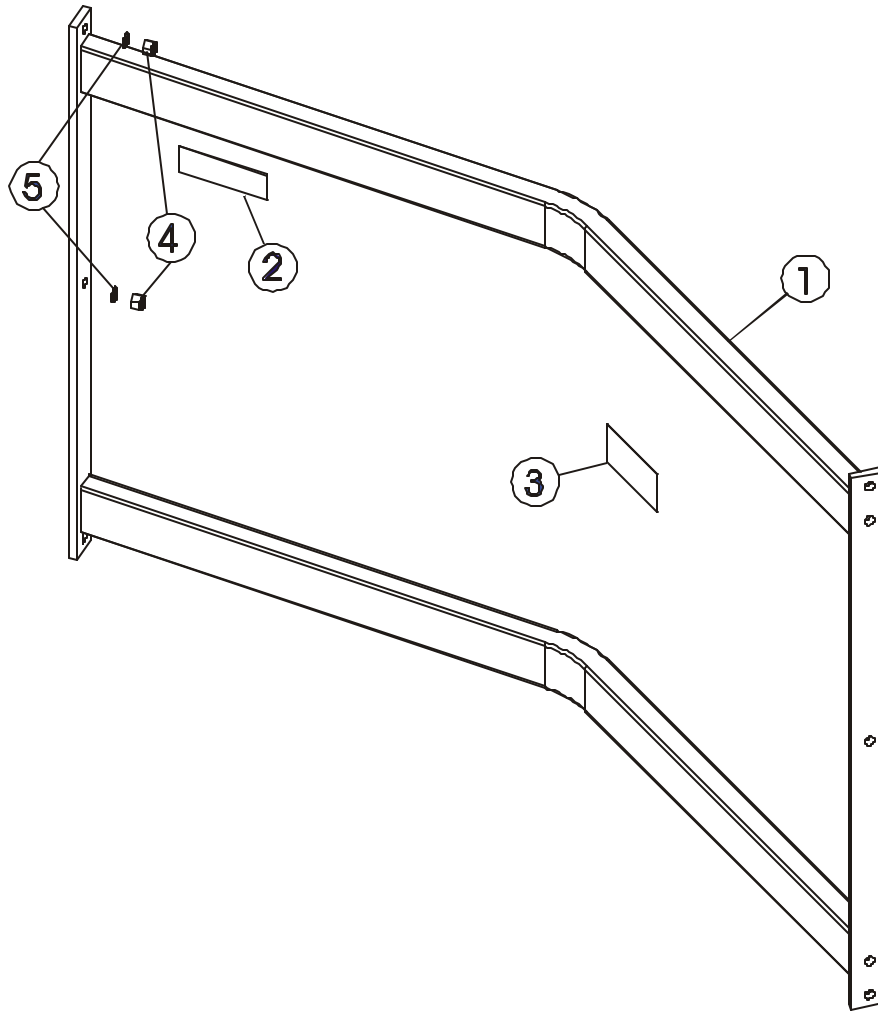
HAMMER STRENGTH EQUIPMENT

GBJ - Work Box



ITEM NO.	QTY.	PART NO.	DESCRIPTION
1	1	GBJ-TX-0	Workbox
2	4	H-PEND3	1 1/2 X 3 End Cap
3	22	H-HPLUG	9/16" Hole Plug
4	4	H-BEAR-SML	Small Bearing
5	4	H-BACK-WASH	Backing Washer
6	4	HHB.5X3	1/2 X 3 Bolt
7	4	NUT.5LOCK	1/2" Thick Lock Nut
8	4	WASH.5SAE	1/2" SAE Flat Washer
9	4	HHB.5X1.5	1/2 X 1 1/2 Bolt
10	4	NUT.5JAMLOCK	1/2" Thin Lock Nut
11	2	STAY CLEAR	Stay Clear Decal

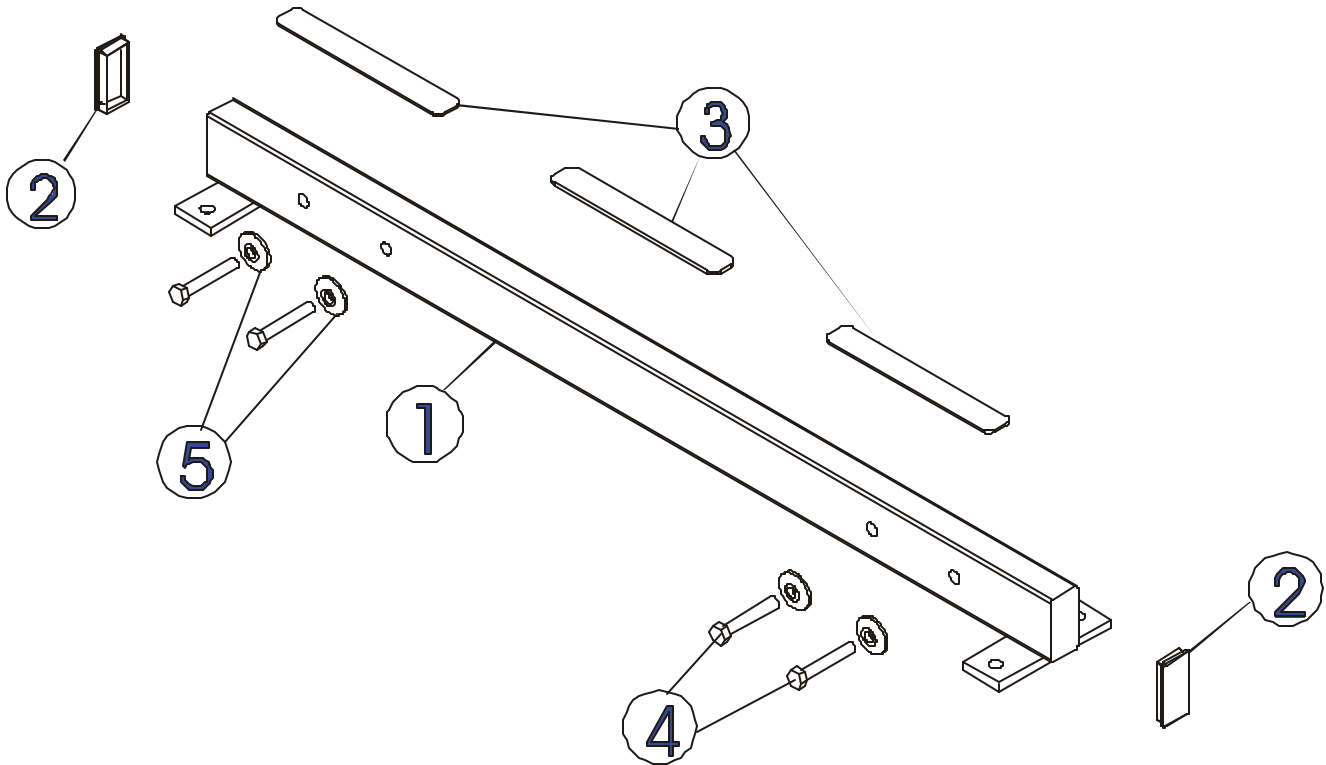
HAMMER STRENGTH EQUIPMENT
GBJ - Back Frame



ITEM NO.	QTY.	PART NO.	DESCRIPTION
1	1	GBJ-BX-0	Back Frame
2	1	GROUND BASE JAMMER	Product Decal
3	1	WARNING LARGE-H	Large Warning
4	14	NUT.5LOCK	LOCK NUT
5	18	WASH.5STAR	LOCK WASHER

HAMMER STRENGTH EQUIPMENT

GBJ - Front Frame



ITEM NO.	QTY.	PART NO.	DESCRIPTION
1	1	GBJ-FX-0	Front Frame
2	2	H-PEND3	1 1/2 X 3 End Cap
3	3	H-NONSKID1	1 1/4 X 9 Nonskid
4	16	HHB.5X3	1/2 X 3 BOLT
5	14	H-BACK-WASH	BACKING WASHER