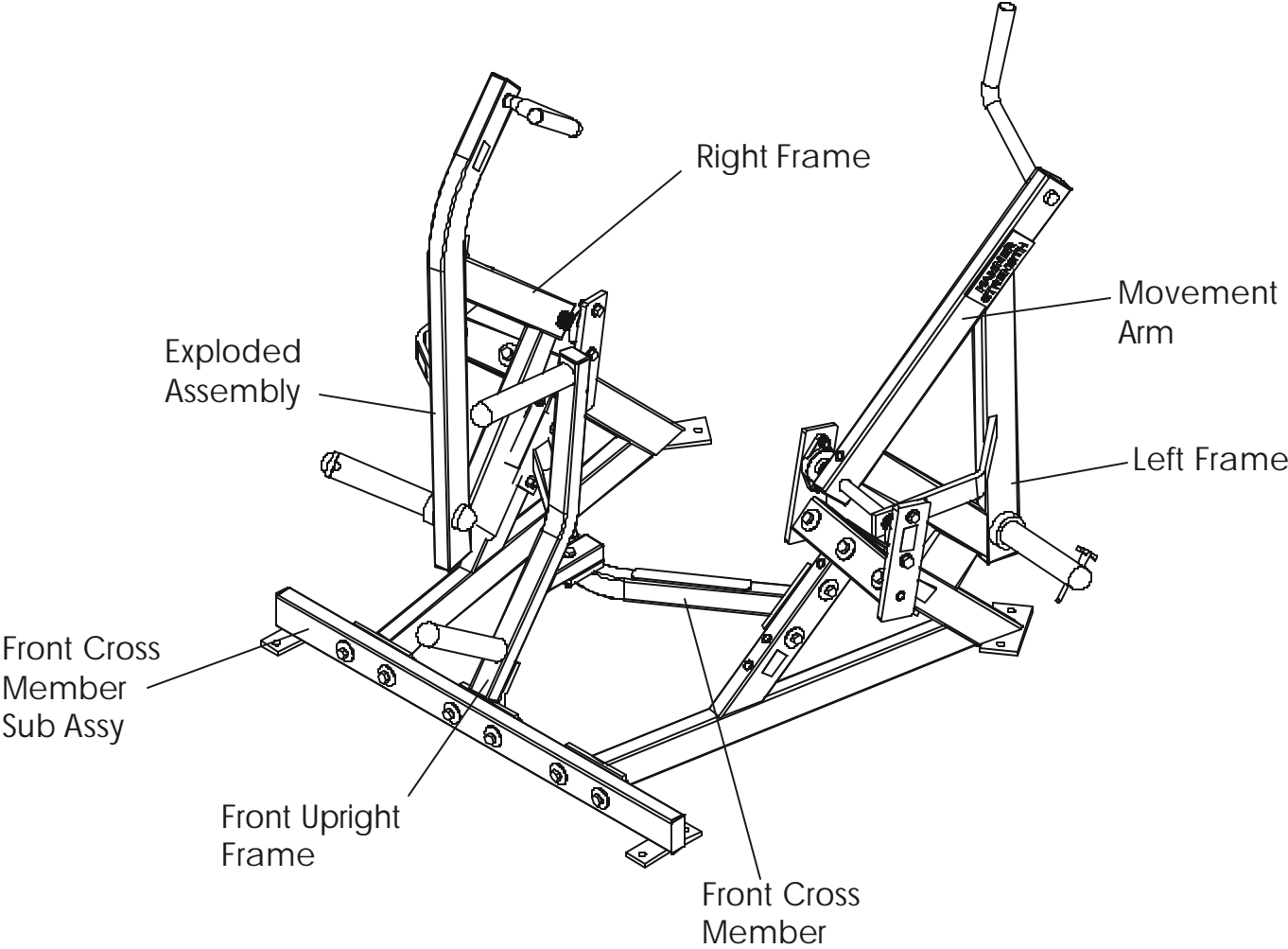


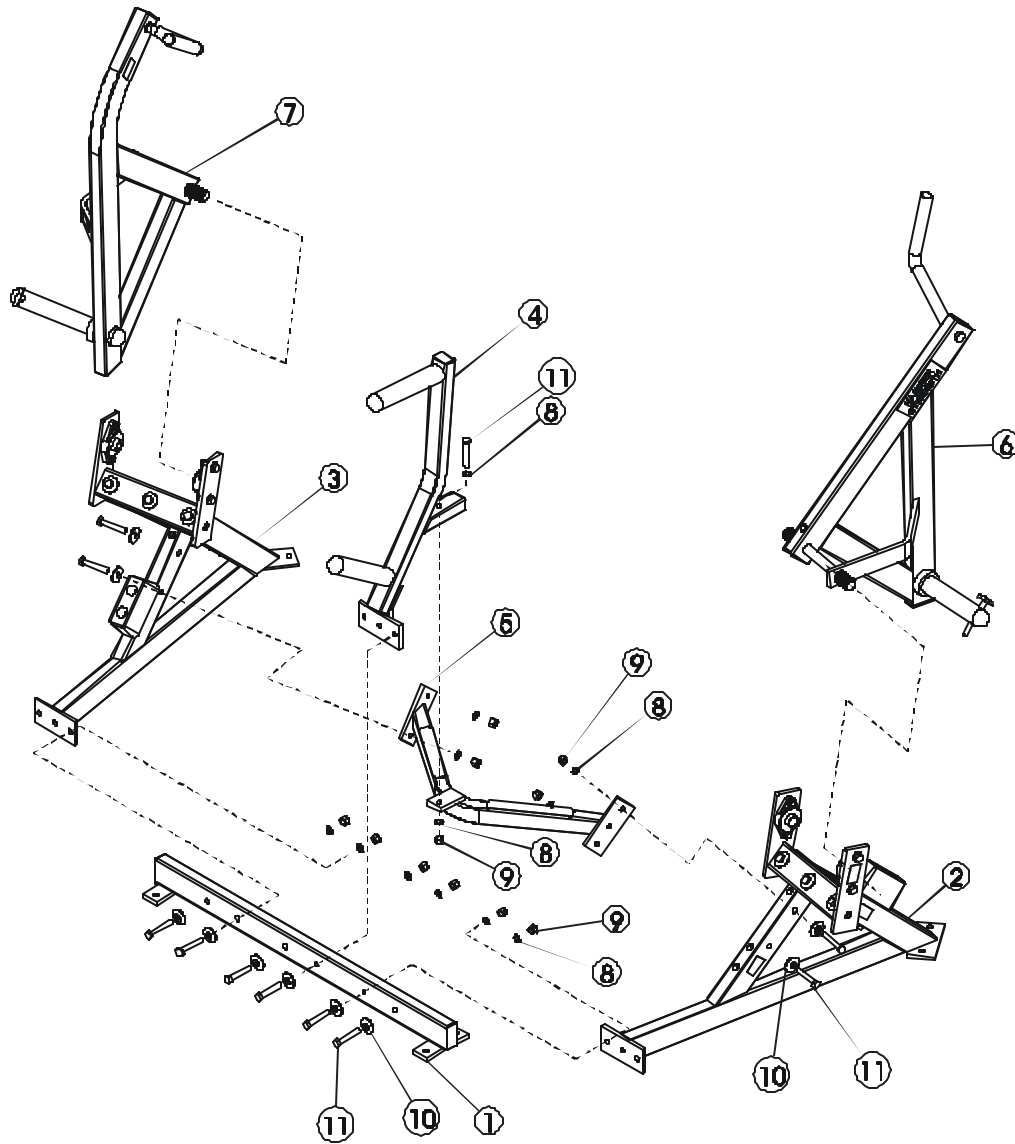
**HAMMER STRENGTH EQUIPMENT**  
**GBTL - Ground Base Twist Left**

---



# HAMMER STRENGTH EQUIPMENT

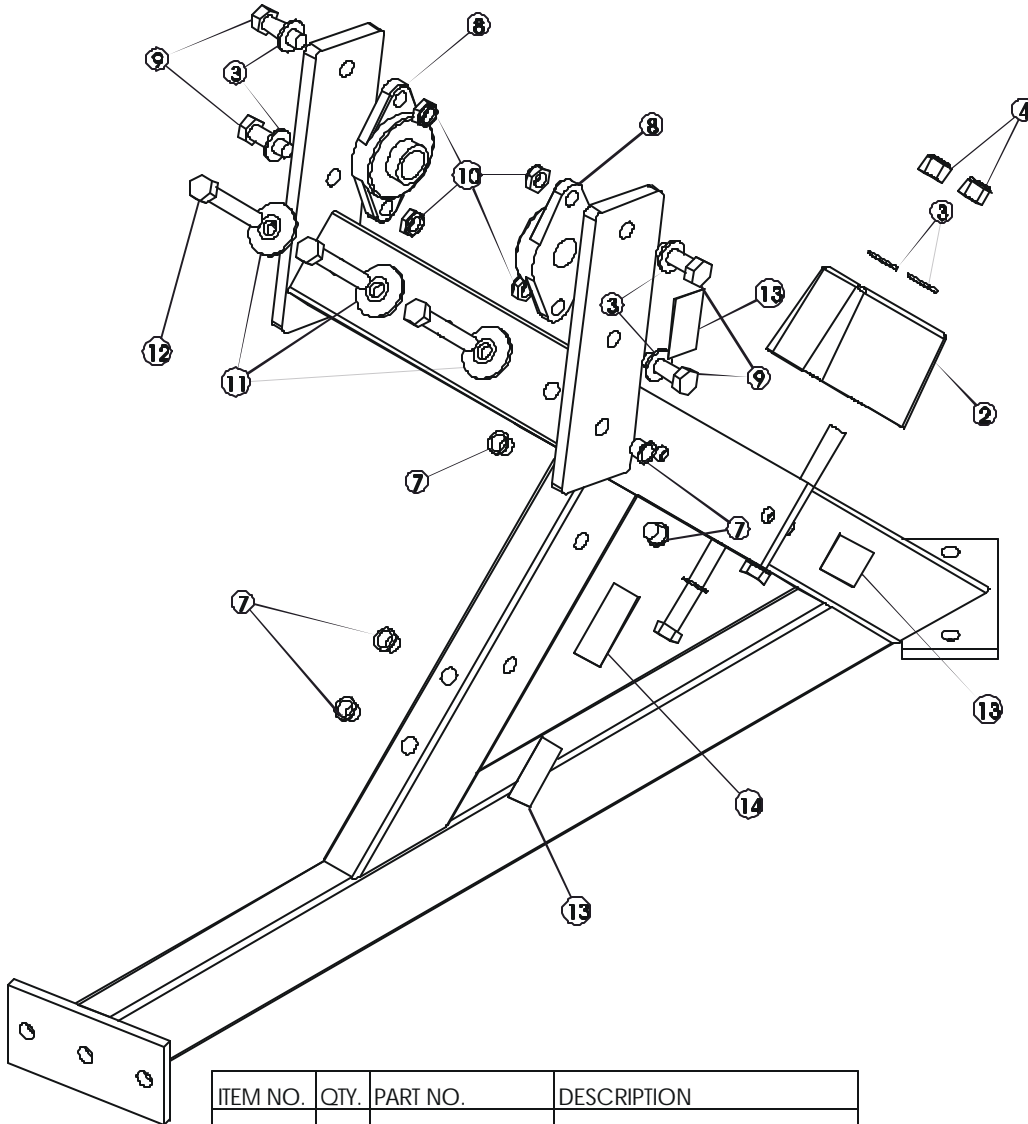
## GBTL - Exploded Assembly



ITEM NO.	QTY.	PART NO.	DESCRIPTION
1	1	GBTL-CFX-0	Front Frame Assembly
2	1	GBTL-CSFL-0	Left Side Frame Assembly
3	1	GBTL-CSFR-0	Right Side Frame Assembly
4	1	GBTL-CHX-0	Front Upright Assembly
5	1	GBTL-CTX-0	Front C-Mem Assembly
6	1	GBTL-CMAL-0	Left Movement Arm Assembly
7	1	GBTL-CMALP-0	Left Pull Movement Arm Assembly
8	12	WASH.5STAR	1/2" Internal Lock Washer
9	11	NUT.5LOCK	1/2" Thick Lock Nut
10	10	H-BACK-WASH	Backing Washer
11	11	HHB.5X3	1/2 X 3 Bolt

# HAMMER STRENGTH EQUIPMENT

## GBTL - Left Side Frame

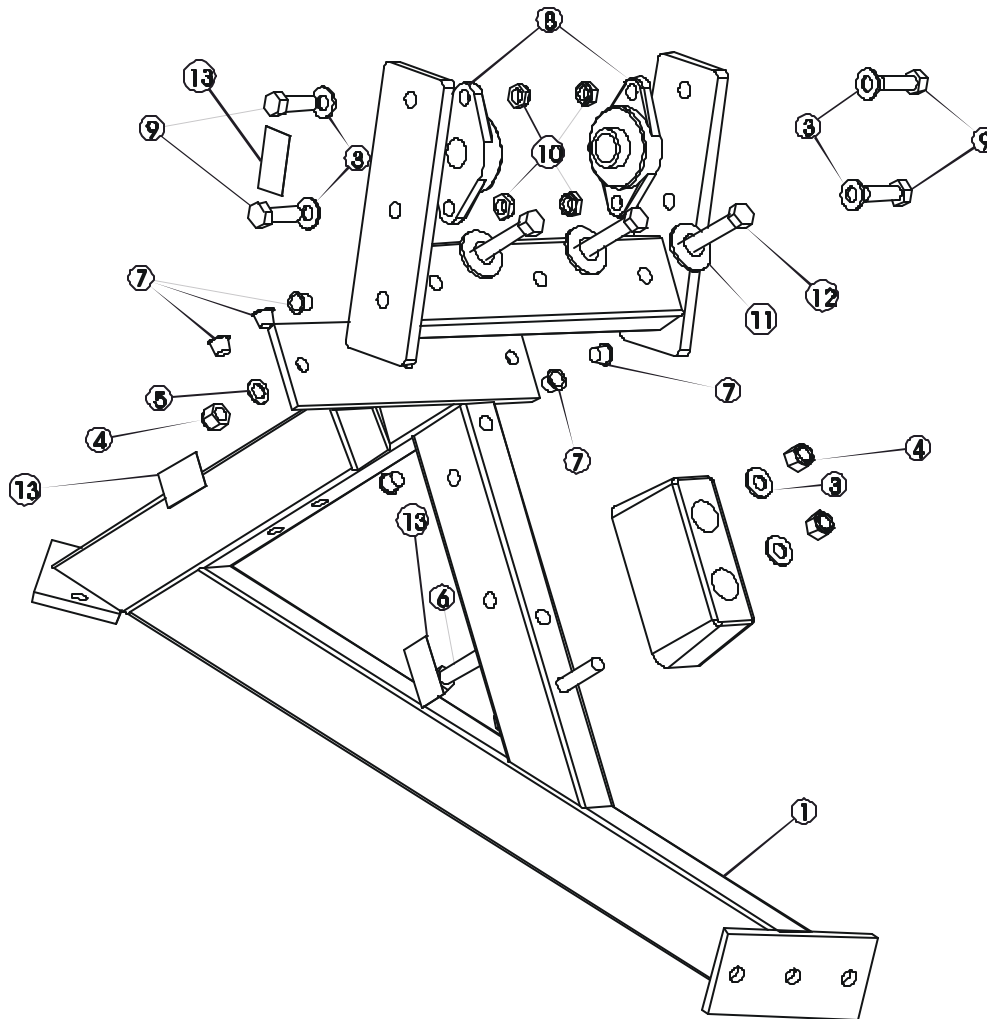


ITEM NO.	QTY.	PART NO.	DESCRIPTION
1	1	GBT-SFL-0	Left Side Frame
2	1	H-BUMP-LGE	MM1 Large
3	6	WASH.5SAE	1/2" SAE Flat Washer
4	5	NUT.5LOCK	1/2" Thick Lock Nut
5	5	WASH.5STAR	1/2" Internal Lock Washer
6	2	HHB.5X5	1/2 X 5 Bolt
7	8	H-HPLUG	9/16" Hole Plug
8	2	H-BEAR-SML	Small Bearing
9	4	HHB.5X1.5	1/2 X 1 1/2 Bolt
10	4	NUT.5JAMLOCK	1/2" Thin Lock Nut
11	3	H-BACK-WASH	Backing Washer
12	3	HHB.5X3	1/2 X 3 Bolt
13	3	STAY CLEAR	Stay Clear Decal
14	1	SERIAL NUMBER	Serial Number
15	1	GBT-WB-0	Workbox

# HAMMER STRENGTH EQUIPMENT

## GBTL - Right Side Frame

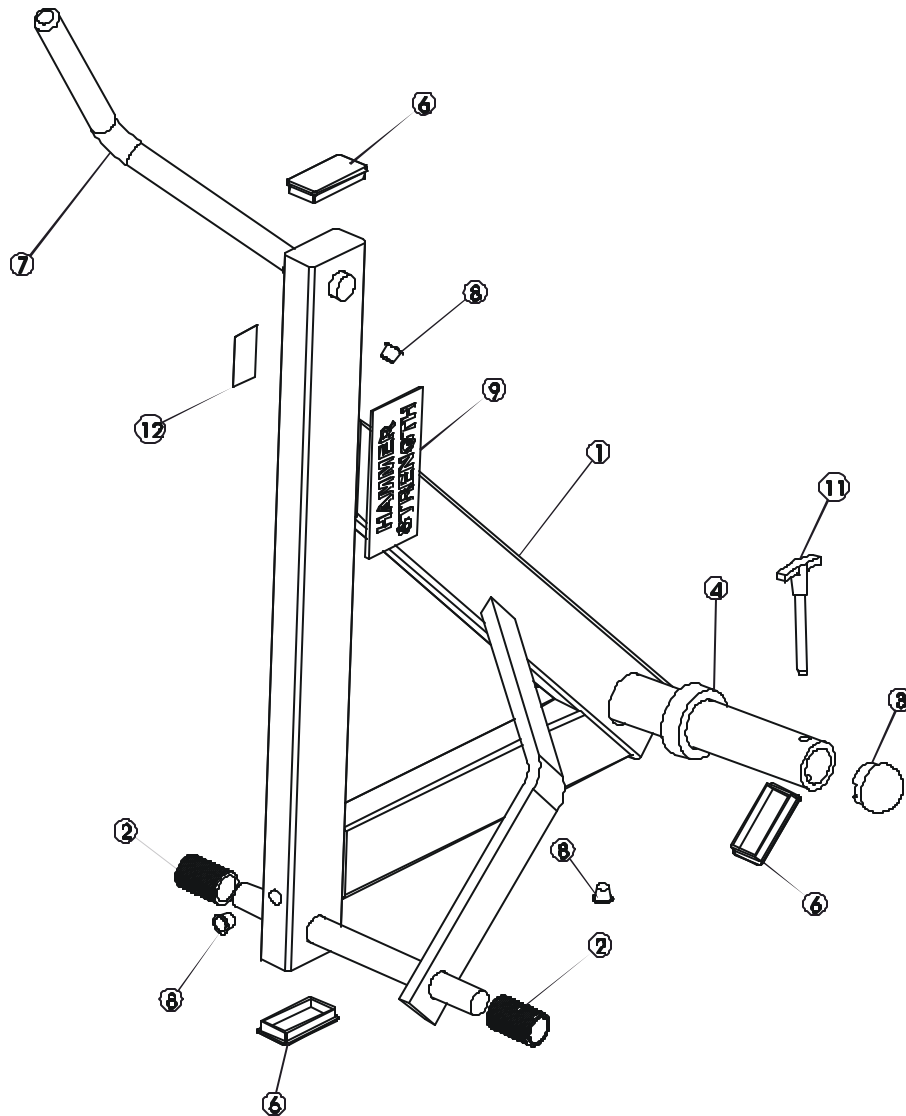
---



ITEM NO.	QTY.	PART NO.	DESCRIPTION
1	1	GBT-SFR-0	Right Side Frame
2	1	H-BUMP-LGE	MM1 Large
3	6	WASH.5SAE	1/2" SAE Flat Washer
4	5	NUT.5LOCK	1/2" Thick Lock Nut
5	5	WASH.5STAR	1/2" Internal Lock Washer
6	2	HHB.5X5	1/2 X 5 Bolt
7	8	H-HPLUG	9/16" Hole Plug
8	2	H-BEAR-SML	Small Bearing
9	4	HHB.5X1.5	1/2 X 1 1/2 Bolt
10	4	NUT.5JAMLOCK	1/2" Thin Lock Nut
11	3	H-BACK-WASH	Backing Washer
12	3	HHB.5X3	1/2 X 3 Bolt
13	3	STAY CLEAR	Stay Clear Decal
14	1	GBT-WB-0	Workbox

# HAMMER STRENGTH EQUIPMENT

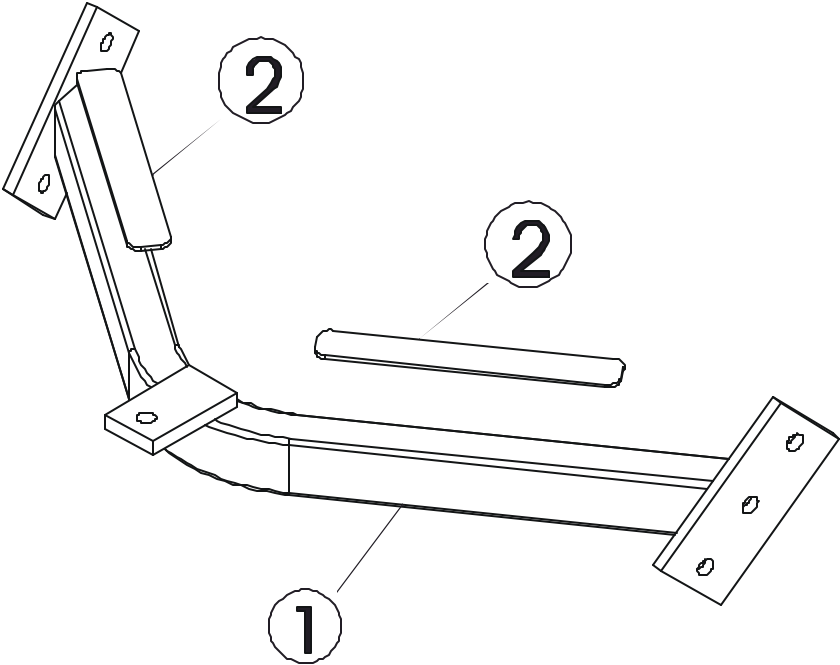
## GBTL - Movement Arm



ITEM NO.	QTY.	PART NO.	DESCRIPTION
1	1	GBT-MAR-0	Left Movement Arm
1	1	GBT-MAL-0	Left Movement Arm
2	2	ACCORDIAN	Shaft Guard
3	2	H-BENDCAP	Bullet Cap
4	1	H-RUBRNG	MM5 Ring
6	3	H-PEND3	1 1/2 X 3 End Cap
7	1	H-GRIP(GBTLR-A00)	HandGrip
8	3	H-HPLUG	9/16" Hole Plug
9	1	H-NAMEPLATE	Name Plate
11	1	SELECTOR PIN-4	SELECTOR PIN 4 INCH
12	1	STAY CLEAR	Stay Clear Decal

**HAMMER STRENGTH EQUIPMENT**  
**GBTL - Front Cross Member**

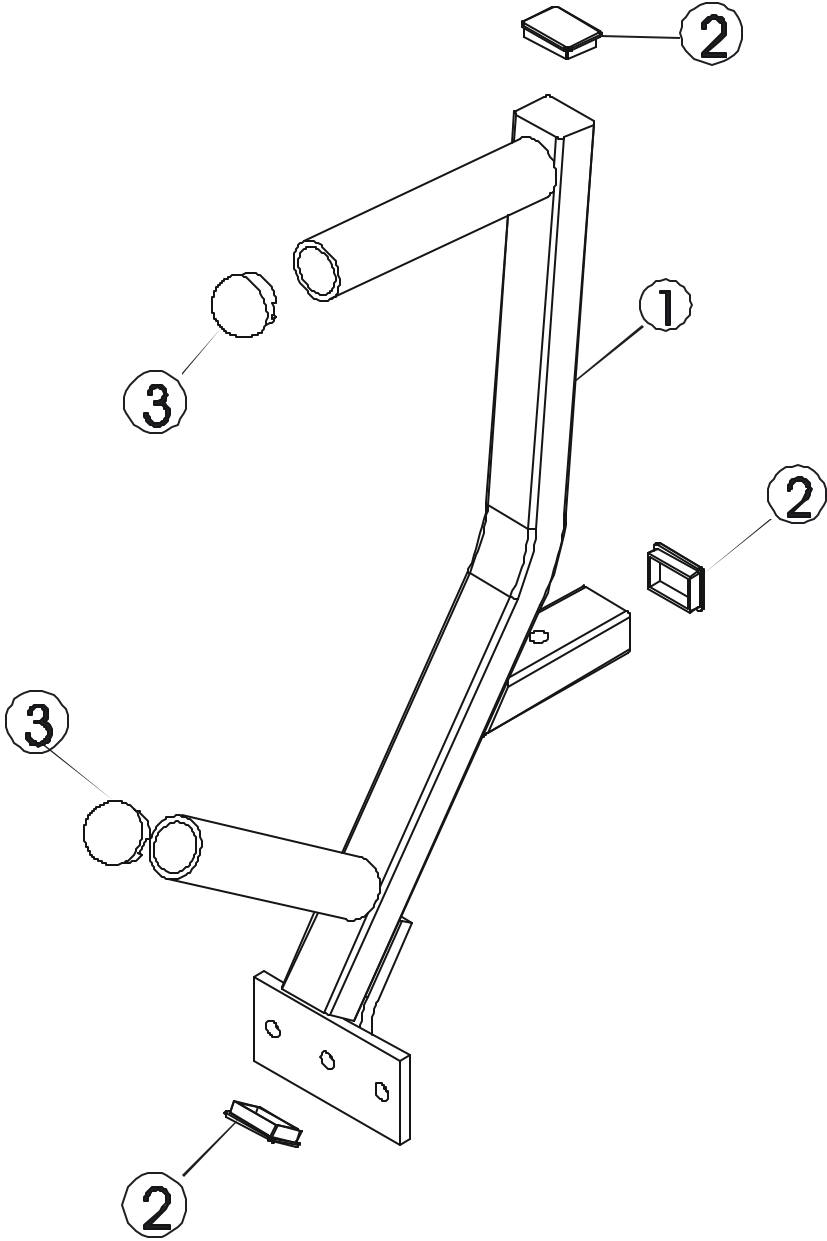
---



ITEM NO.	QTY.	PART NO.	DESCRIPTION
1	1	GBT-TX-0	Front C-member
2	2	H-NONSKID1	1 1/4 X 9 Nonskid

**HAMMER STRENGTH EQUIPMENT**  
**GBTL - Front Upright Frame**

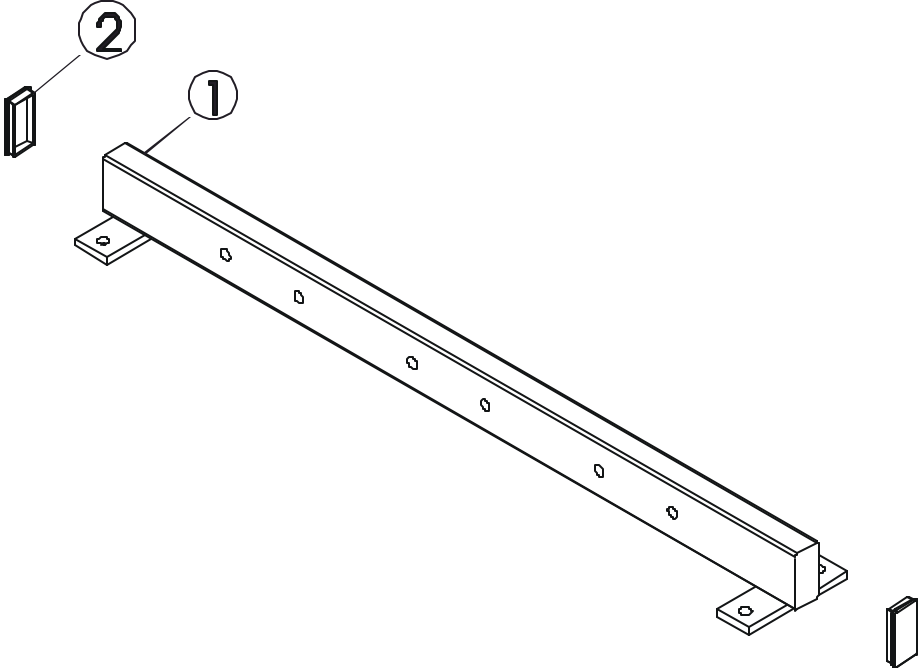
---



ITEM NO.	QTY.	PART NO.	DESCRIPTION
1	1	GBT-HX-0	Front Upright Frame
2	3	H-PEND2	1 1/2 X 2 Endcap
3	2	H-BENDCAP	Bullet Cap

**HAMMER STRENGTH EQUIPMENT**  
**GBTL - Front Cross Member Sub Assembly**

---



ITEM NO.	QTY.	PART NO.	DESCRIPTION
1	1	GBT-FX-0	Front C-mem SubAssembly
2	2	H-PEND3	1 1/2 X 3 End Cap