

# INTEGRITY CLSXH CROSS-TRAINER

CLSXH-xxxxx-xx

CSXH-xxxxx-xx

## Parts Manual

April 2017



# Table of Contents

---

Miscellaneous	2
Console Assembly (CN)	3
Base Electronics (BE)	5
Drive System (DS)	6
Rocker Arm and Pedal Levers	6
Pedal Lever Assembly Components	7
Bearing-Insert Assembly	8
Drive Module	9
Crank Arm Pulley Assembly	10
Upper Frame System (UF)	11
Console Support and Deadshaft Covers	11
Handlebars and Bullhorns	12
Upper Frame Hardware	13
Lower Frame System (LF)	14
Crank Cover and Lower Caps	14
Rocker Cover Assembly	15
Lower Frame Shrouds and Hardware	16
Wiring	17
Cable Chart	17
Wiring Diagram	18

# Miscellaneous

---

## Serial Number Table

Description	Part No.
Operation Manual	0KCD-02008-0000
Touch-up Paint:	
Spray Can	0017-00008-0204
.5 oz Bottle with Applicator	0017-00008-0205
.33 oz Pen	0017-00008-0206
Hardware Bag	AK62-000152-0001
Access Panel Assembly	AK62-00210-0000
Panel Assembly consists of:	
120" Coax Cable	AK32-00020-0002
120" Power Extension Cable	AK32-00078-0001
Bracket	0K62-01179-0001
F-Type Panel Connector	0017-00021-2846
8 Plastic Grommet	0017-00042-0754
Plug Option 120/60 US	GK86-00002-0010
Plug Option 240/50 UK	GK86-00002-0007
Plug Option 240V Aus	GK86-00002-0008
Plug Option 230/50 Cont	GK86-00002-0009

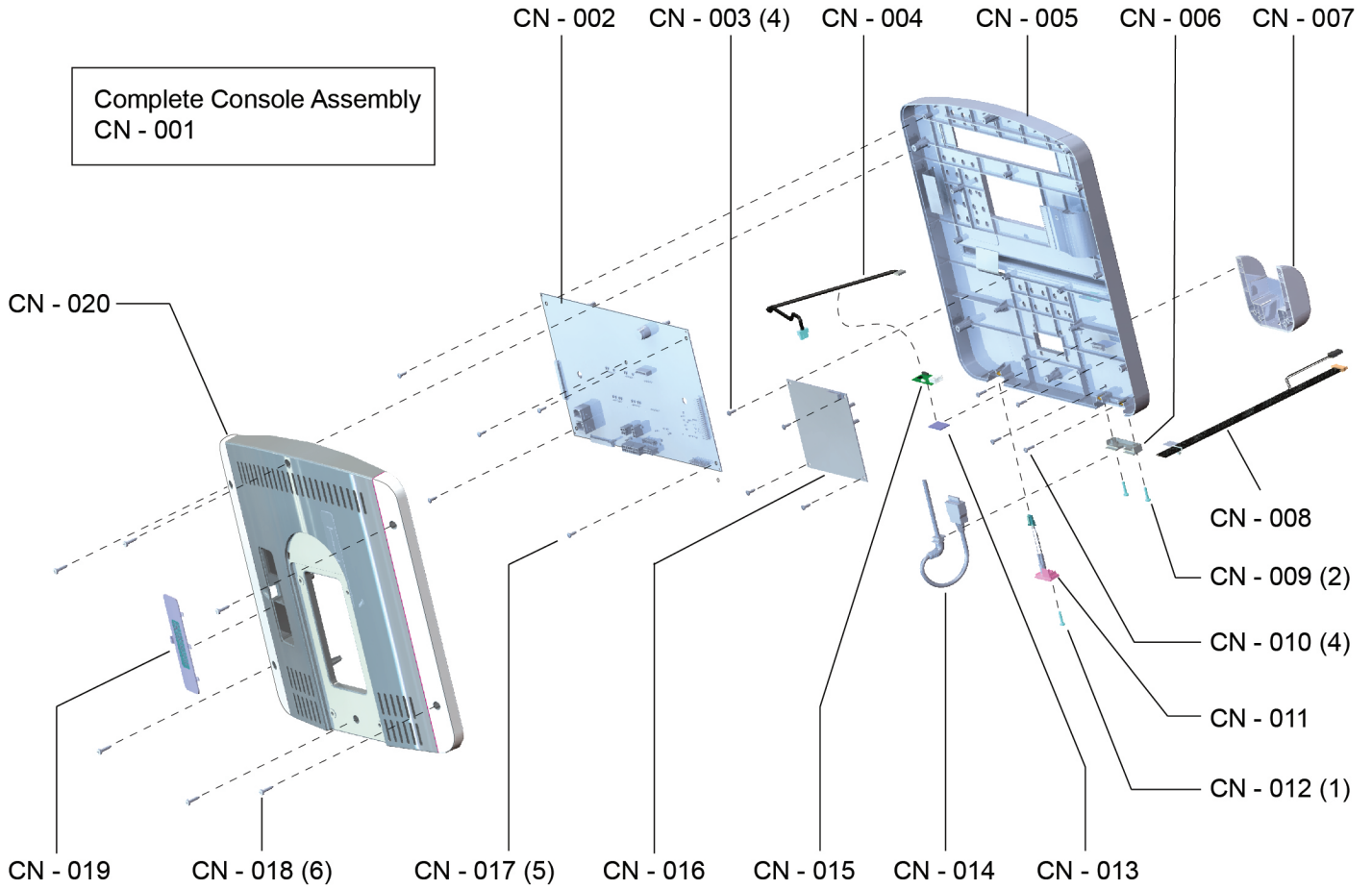
This treadmill has both Lifepulse sensors and telemetry for reading heart rate.

## Serial Number Table

Item Number	Alpha Code (Prefix)	Starting Serial Number	Ending Serial Number
CLSXH-ALLXX-01	XHC	100001	
CLSXH-ALLCX-01	RCX	100001	
CLSXH-ALLXX-0KS	CLS	100001	
CLSXH-ALLCX-0KS	RHX	100001	

# Console Assembly (CN)

## Exploded View

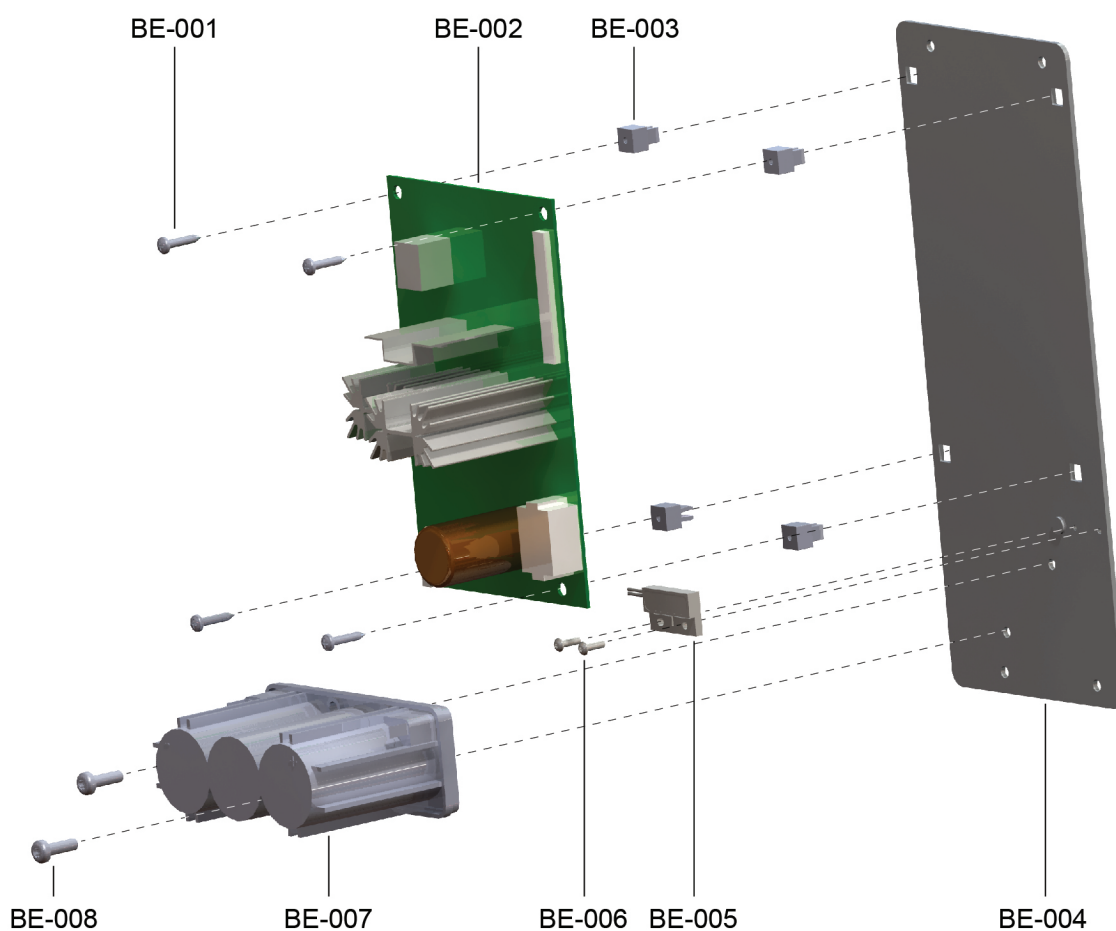


Item	Alpha Code	Part Number	Description
CN-001	XHC, RCX, CLS, RHX	Complete Console Assembly P/N	Language/Unit of Measurement
"	XHC, RCX, CLS, RHX	CLEDXH-ENGMX-01N	English/Metric
"	XHC, RCX, CLS, RHX	CLEDXH-GERMX-01N	German/Metric
"	XHC, RCX, CLS, RHX	CLEDXH-FRNMX-01N	French/Metric
"	XHC, RCX, CLS, RHX	CLEDXH-SPNMX-01N	Spanish/Metric
"	XHC, RCX, CLS, RHX	CLEDXH-ITLMX-01N	Italian/Metric
"	XHC, RCX, CLS, RHX	CLEDXH-DUTMX-01N	Dutch/Metric
"	XHC, RCX, CLS, RHX	CLEDXH-RUSMX-01N	Russian/Metric
"	XHS	CLEDXH-ENGMX-01N	English/Metric
"	XHS	CLEDXH-GERMX-01N	German/Metric
CN-002	XHC, RCX, CLS, RHX	A084-92367-0000	Programmed Console Board
CN-003	XHC, RCX, CLS, RHX	0017-00101-1650	PCB Mounting Screws
CN-004	XHC, RCX, CLS, RHX	AK69-00157-0000	Polar Cable
CN-005	XHC, RCX, CLS, RHX	Overlay/Bezel/Switch/iPodHolder Assembly P/N	Language/Unit of Measurement
"	XHC, XHS	AK86-00049-0000	English/Metric
"	XHC, XHS	AK86-00050-0000	German/Metric
"	XHC, RCX, CLS, RHX	AK86-00051-0000	French/Metric
"	XHC, RCX, CLS, RHX	AK86-00052-0000	Spanish/Metric



Item	Alpha Code	Part Number	Description
"	XHC, RCX, CLS, RHX	AK86-00053-0000	Italian/Metric
"	XHC, RCX, CLS, RHX	AK86-00054-0000	Dutch/Metric
"	XHC, RCX, CLS, RHX	AK86-00055-0000	Russian/Metric
CN-006	XHC, RCX, CLS, RHX	0K86-01004-0200	Panel Access iPod
CN-007	XHC, RCX, CLS, RHX	0K86-01003-0200	iPod Holder
CN-008	XHC, RCX, CLS, RHX	AK86-00003-0000	iPod Cable to PCB
CN-009	XHC, RCX, CLS, RHX	0017-00101-1811	6-32 x 10 PHL PAN Mounting Screw (2)
CN-010	XHC, RCX, CLS, RHX	3223501	iPod Holder Screws (4)
CN-011	XHC, RCX, CLS, RHX	AK86-00025-0201	Headphone Jack
CN-012	XHC, RCX, CLS, RHX	0017-00101-1811	6-32 x 10 PHL PAN Mounting Screw (1)
CN-013	XHC, RCX, CLS, RHX	0K39-01044-0001	Double-sided Tape
CN-014	XHC, RCX, CLS, RHX	AK86-00087-0200	iPod Cable
CN-015	XHC, RCX, CLS, RHX	118E-00001-0244	PCB: Polar Coded Receiver
CN-016	XHC, RCX, CLS, RHX	B084-92368-0000	Lower Display
CN-017	XHC, RCX, CLS, RHX	0017-00101-1650	PCB Mounting Screws (5)
CN-018	XHC, RCX, CLS, RHX	0017-00101-1242	Console Case Screws (6)
CN-019	XHC, RCX, CLS, RHX	0K62-01026-0202	Battery Door
CN-020	XHC, RCX, CLS, RHX	AK86-0024-0201	Console Case Assembly
	XHC, RCX, CLS, RHX	118E-00001-0266	Cable
	XHC, RCX, CLS, RHX	0K62-01175-0001	Decal
	XHC, RCX, CLS, RHX	0K62-01024-0203	Case

# Base Electronics (BE)



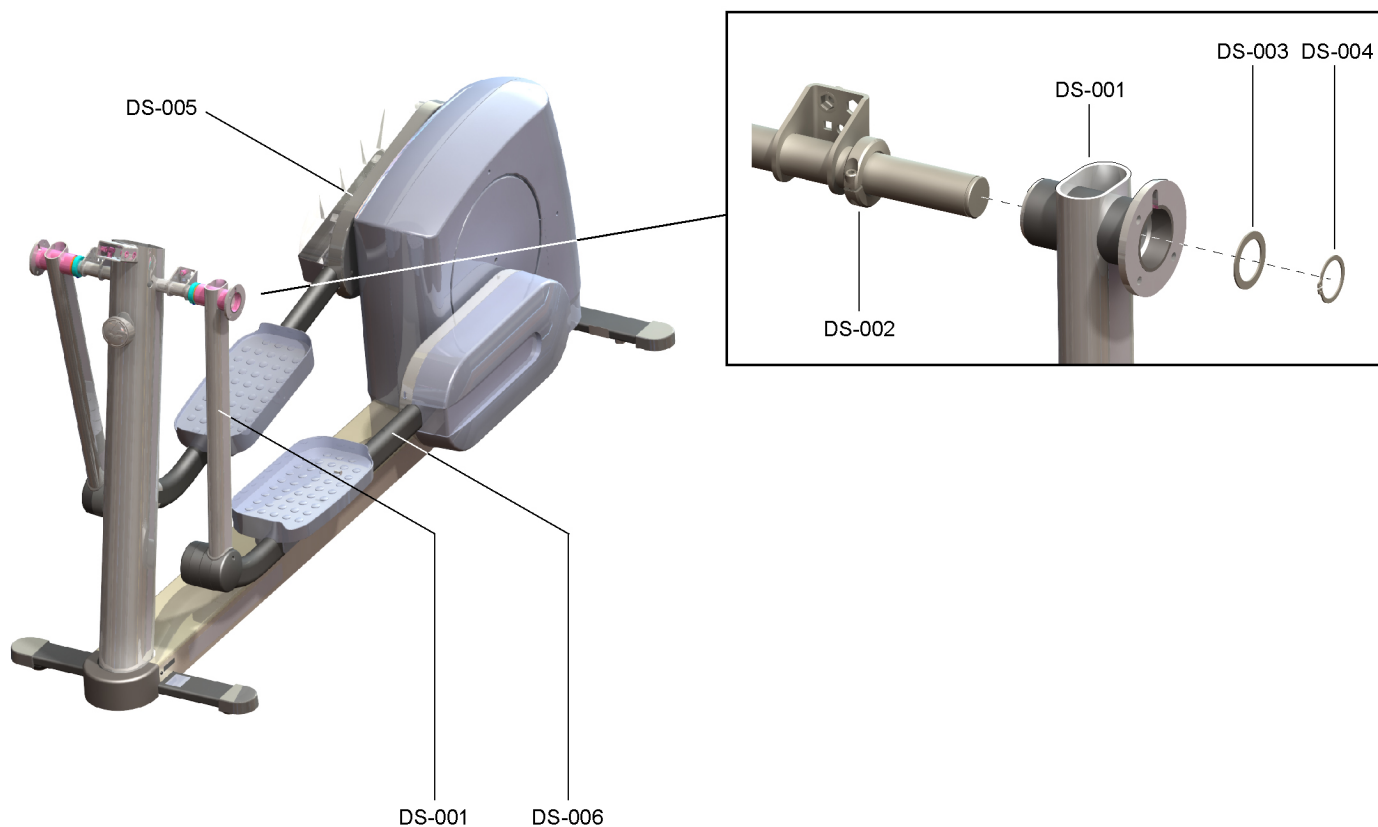
## Parts List

Item	Alpha Code	Part Number	Description
BE-001	XHC, RCX, CLS, RHX	0017-00101-1838	PCB Mounting Screws
BE-002	XHC, RCX, CLS, RHX	B084-92218-0000	Power Control Board
BE-003	XHC, RCX, CLS, RHX	0017-00042-0821	Grommet (4)
BE-004	XHC, RCX, CLS, RHX	0K62-01233-0000	Bracket for PCB, Reed Switch, Battery
BE-005	XHC, RCX, CLS, RHX	118E-00001-0140	Reed Switch
BE-006	XHC, RCX, CLS, RHX	0017-00101-1794	Reed Switch Mounting Screws (2)
BE-007	XHC, RCX, CLS, RHX	0017-00003-0685	6V Battery
BE-008	XHC, RCX, CLS, RHX	0017-00101-1797	Battery Mounting Screws

# Drive System (DS)

## Rocker Arm and Pedal Levers

Exploded View

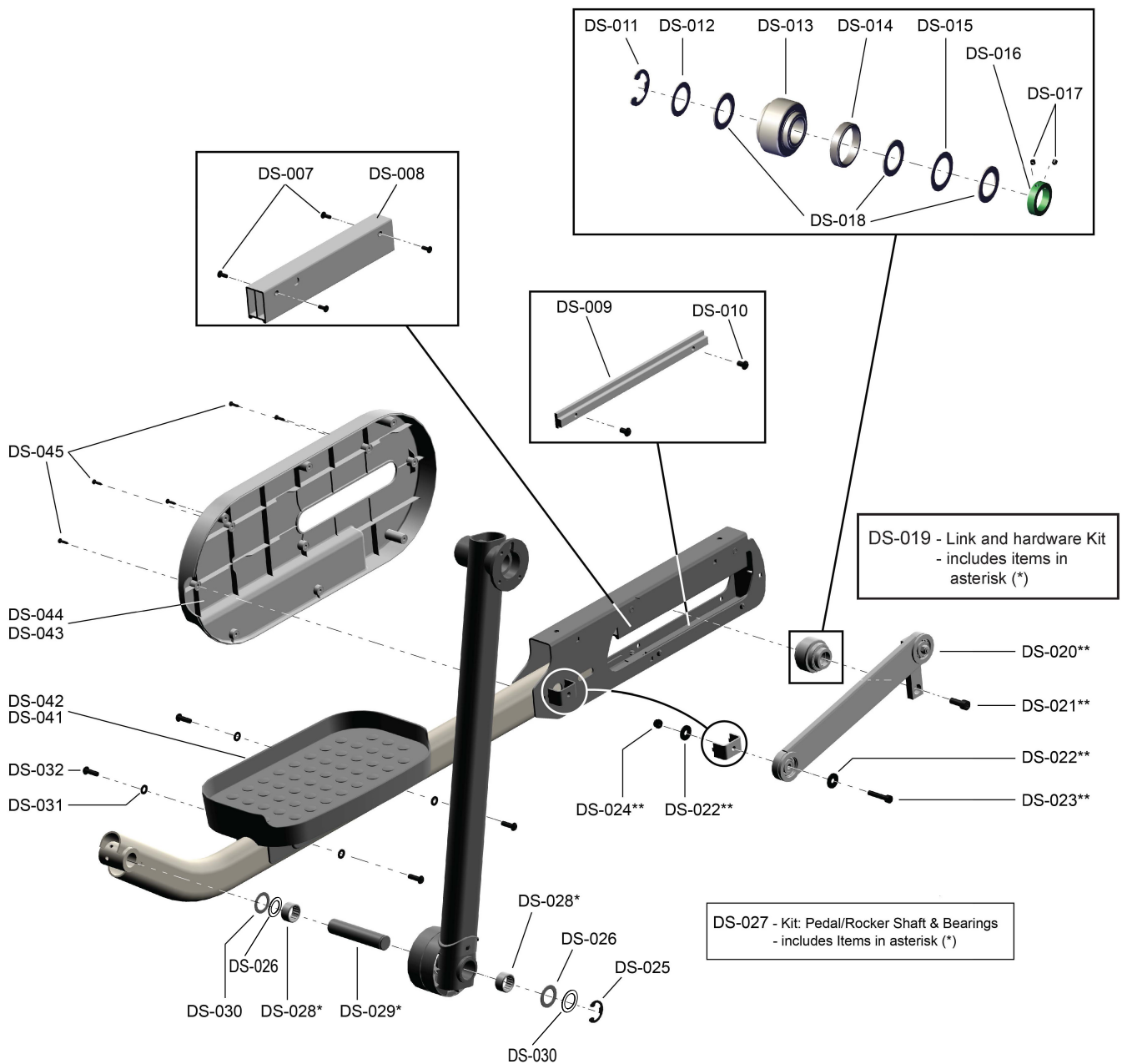


### Parts List

Item	Alpha Code	Part Number	Description
DS-001	XHC, RCX, CLS, RHX	MAK62-00064-5203	Rocker Arm
DS-002	XHC, RCX, CLS, RHX	MOK61-01259-0000	Shaft Collar with Screws
DS-003	XHC, RCX, CLS, RHX	0017-00104-0418	Washer
DS-004	XHC, RCX, CLS, RHX	0017-00100-0178	Retaining Ring
DS-005	XHC, RCX, CLS, RHX	MAK62-00023-0003	Right Pedal Lever Assembly
DS-006	XHC, RCX, CLS, RHX	MAK62-00022-0003	Left Pedal Lever Assembly

# Pedal Lever Assembly Components

Exploded View



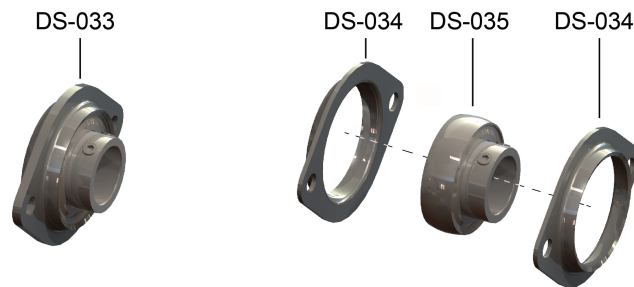
## Parts List

Item	Alpha Code	Part Number	Description
DS-007	XHC, RCX, CLS, RHX	M0017-00101-1789	M6x1.00-6g6gx19 DIN TRX FLT (4)
DS-008	XHC, RCX, CLS, RHX	AK62-00197-0000	EXTRUSION W/INSERTS ASSY:MFG.C
DS-009	XHC, RCX, CLS, RHX	0K62-01208-0000	TRACK: EXTRUDED; ANTI-LIFT B
DS-010	XHC, RCX, CLS, RHX	0017-00101-1836	VMI M 6X1.00-6g6gX 10 DIN TRX BUT L CS ST ZB B (2)
DS-011	XHC, RCX, CLS, RHX	0017-00100-0107	VMI RNG: E 1.000 5133-98 ST PP B
DS-012	XHC, RCX, CLS, RHX	0K47-01105-0000	VMI WASHER: THRUST; HARDENED B
DS-013	XHC, RCX, CLS, RHX	AK62-00196-0001	ROLLER W/INSERTS ASSY: MFG B
DS-014	XHC, RCX, CLS, RHX	M0K62-01191-0000	ROLLER: ANT-LIFT
DS-015	XHC, RCX, CLS, RHX	0017-00104-0474	WSH 1.1-1.62-031 FL-D SS NO B
DS-016	XHC, RCX, CLS, RHX	M0K62-01065-0000	COLLAR: SHAFT; LINK-CRANK B

Item	Alpha Code	Part Number	Description
DS-017	XHC, RCX, CLS, RHX	0017-00101-1803	M 5X0.80-6g6gX 5 DIN TRX NO L CUP ST ZB B (2)
DS-018	XHC, RCX, CLS, RHX	0K47-01104-0000	WASHER: SPECIAL; THRUST B (3)
DS-019	XHC, RCX, CLS, RHX	GK62-00002-0071	Link and Hardware Kit - includes parts in asterisk (*)
DS-020*	XHC, RCX, CLS, RHX	AK62-00384-0000	USE/ GK62-00002-0071: ASSY: CNTRL LINK/EXTENSION; MFG See Note
DS-021*	XHC, RCX, CLS, RHX	0017-00101-1806	VMI M 10X1.50-6g6gX 25 DIN TRX SOC L CS ST ZB B - see Note
DS-022*	XHC, RCX, CLS, RHX	0017-00104-0479	WSH:M8 9.12X 25.40X 2.30 DIN D FLAT ST ZB B - see Note
DS-023*	XHC, RCX, CLS, RHX	0017-00101-1907	M8 X1.25-6G6G X 40 DIN HEX SOC CS ST ZB - see Note
DS-024*	XHC, RCX, CLS, RHX	0017-00103-0333	VMI NUT M 8X1.25-6H6H DIN L LOCKNUT ST ZN B - see Note
DS-025	XHC, RCX, CLS, RHX	0017-00100-0107	VMI RNG: E 1.000 5133-98 ST PP B
DS-026	XHC, RCX, CLS, RHX	0K47-01104-0000	WASHER: SPECIAL; THRUST B
DS-027	XHC, RCX, CLS, RHX	GK62-00002-0001	Kit - Pedal/Rocker Shaft & Bearings - includes parts in asterisk (**)
DS-028**	XHC, RCX, CLS, RHX	0017-00006-0164	BRG: NDL 0.984XSP HK2516 - see Note
DS-029**	XHC, RCX, CLS, RHX	MOK62-01060-0000	SHAFT: PEDAL-ROCKER - see Note
DS-030	XHC, RCX, CLS, RHX	0K47-01105-0000	VMI WASHER: THRUST; HARDENED B
DS-031	XHC, RCX, CLS, RHX	0017-00104-0469	VMI WSH:M 8.40X 16.00X 1.60 DIN D FLAT ST ZB B (4)
DS-032	XHC, RCX, CLS, RHX	0017-00101-1806	VMI M 8x1.25-6G6G X 25 DIN TRX BUT L CS ST ZB B
DS-041	XHC, RCX, CLS, RHX	MOK62-01005-0201	PEDAL: LT; -02XX SHDW
DS-042	XHC, RCX, CLS, RHX	MOK62-01006-0201	PEDAL: RT -02XX SHDW
DS-043	XHC, RCX, CLS, RHX	0K62-01015-0201	COVER: PEDAL; INSIDE;RT -02XX SHDW
DS-044	XHC, RCX, CLS, RHX	0K62-01016-0201	COVER: PEDAL; INSIDE;LT;-02XX SHDW
DS-045	XHC, RCX, CLS, RHX	0017-00101-1796	VMI M4.2X0.7-6g6gX 19 DIN PHL PAN AB ST ZB B (5)

**Note:** Parts not available separately. Must order kit.

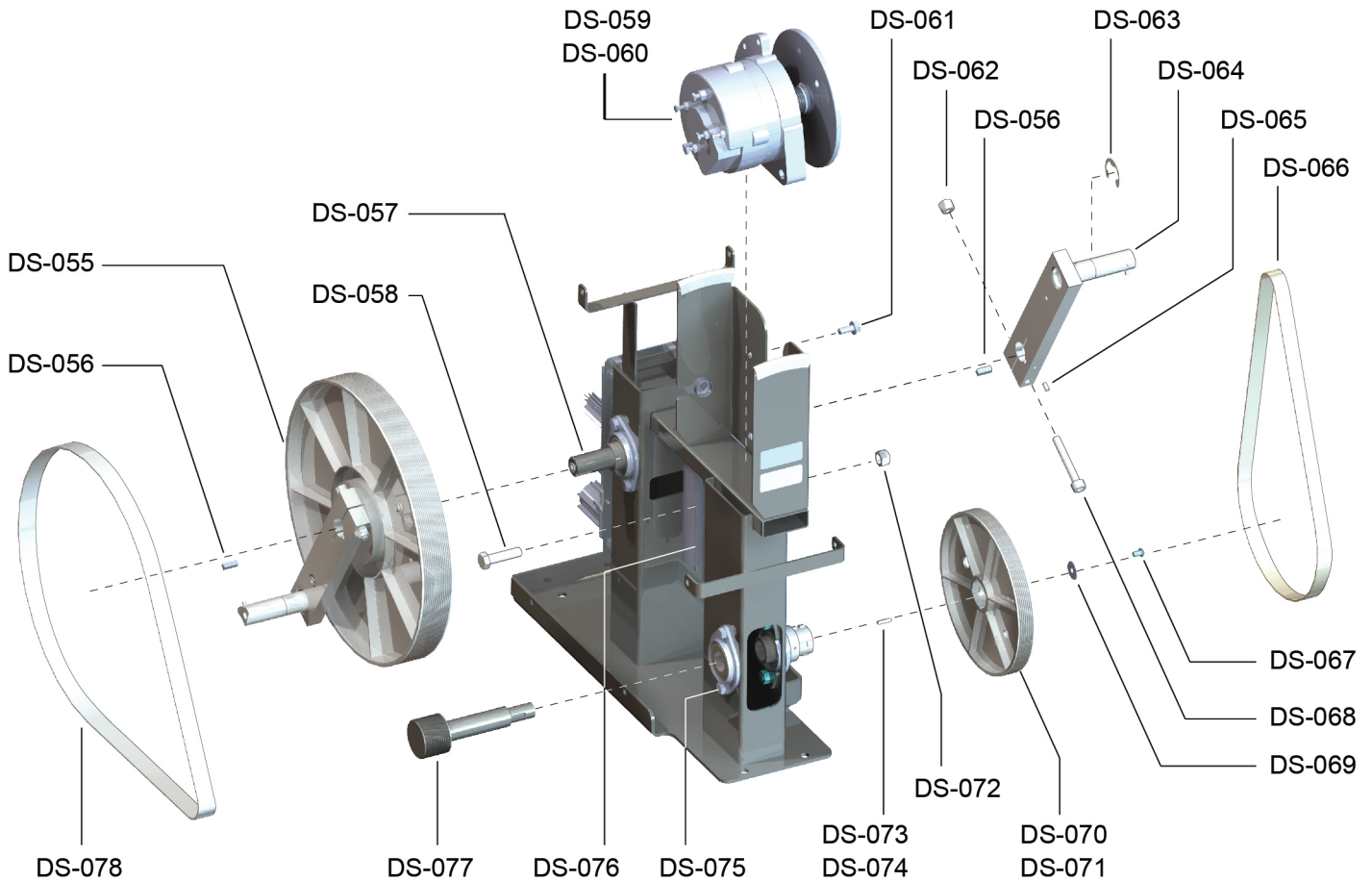
## Bearing-Insert Assembly



### Parts List

Item	Alpha Code	Part Number	Description
DS-033	XHC, RCX, CLS, RHX	AK62-00299-0000	Bearing Insert Assembly
DS-034	XHC, RCX, CLS, RHX	0K62-01220-0000	Bearing Flange
DS-035	XHC, RCX, CLS, RHX	0K62-01221-0000	1" Bearing
DS-036	XHC, RCX, CLS, RHX	GK62-00002-0044	Service Kit - includes parts in asterisk (*)
DS-036*	XHC, RCX, CLS, RHX		Crankshaft (1)
DS-036*	XHC, RCX, CLS, RHX		Bearing (2)
DS-036*	XHC, RCX, CLS, RHX		Bearing Flanges (2 sets)
DS-036*	XHC, RCX, CLS, RHX		Nut (4)
DS-036*	XHC, RCX, CLS, RHX		Washer (4)
DS-037	XHC, RCX, CLS, RHX	GK62-00002-0045	Service Kit - includes parts in asterisk (**)
DS-037**	XHC, RCX, CLS, RHX		Intermediate Shaft (1)
DS-037**	XHC, RCX, CLS, RHX		Bearing (2)
DS-037**	XHC, RCX, CLS, RHX		Bearing Flanges (2 sets)
DS-037**	XHC, RCX, CLS, RHX		Nut (4)
DS-037**	XHC, RCX, CLS, RHX		Washer (4)

# Drive Module

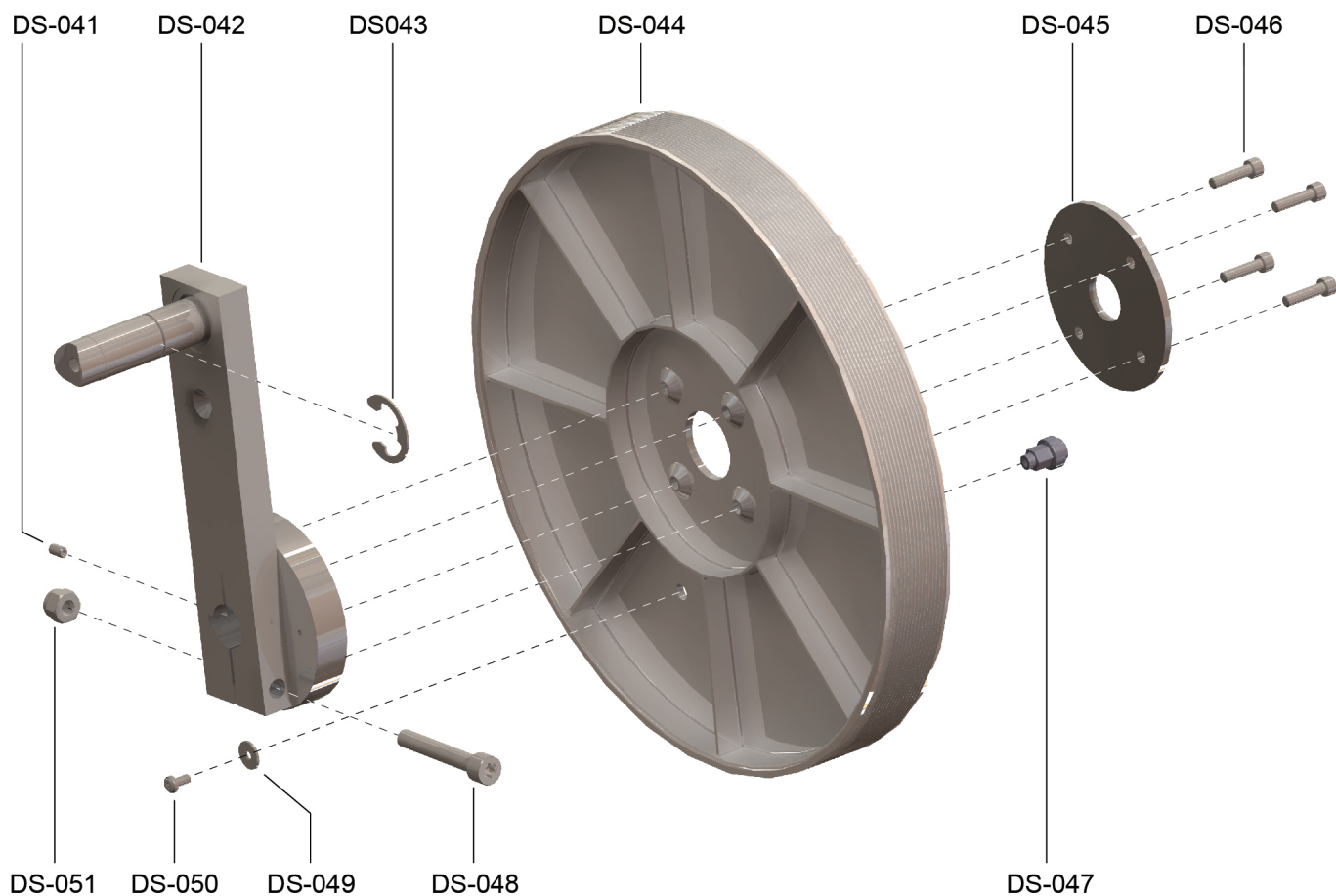


## Parts List

Item	Alpha Code	Part Number	Description
DS-055		see <i>Crank Arm-Pulley</i> section for breakdown and parts	Crank Arm-Pulley Assembly
DS-056	XHC, RCX, CLS, RHX	M0K53-01122-0000	Square Machine Key
DS-057	XHC, RCX, CLS, RHX	M0K62-01222-0001	Crankshaft
DS-058	XHC, RCX, CLS, RHX	0017-00101-1867	Alternator-Flywheel Mounting Bolt
DS-059	XHC, RCX, CLS, RHX	AK-61-00250-0001	Alternator-Flywheel Assembly
DS-060	XHC, RCX, CLS, RHX	0017-00009-0895	Mando Alternator Brushes
DS-061	XHC, RCX, CLS, RHX	0017-00101-0986	Alternator-Flywheel Assembly Mounting Bolt
DS-062	XHC, RCX, CLS, RHX	0017-00103-0334	Nut
DS-063	XHC, RCX, CLS, RHX	0017-00100-0107	Retaining Ring
DS-064	XHC, RCX, CLS, RHX	MAK62-00204-0000	Right Crank Arm Weld Assembly
DS-065	XHC, RCX, CLS, RHX	0017-00101-1823	Set Screw
DS-066	XHC, RCX, CLS, RHX	0K62-01134-0000	J8 Flexonic Belt
DS-067	XHC, RCX, CLS, RHX	0017-00101-1836	Poly-V Pulley Mounting Screw
DS-068	XHC, RCX, CLS, RHX	0017-00101-1860	Crank Arm Mounting Bolt
DS-069	XHC, RCX, CLS, RHX	0017-00104-0465	Nut
DS-070	XHC, RCX, CLS, RHX	0K35-01186-0007	Poly-V Metric Pulley
DS-071	XHC, RCX, CLS, RHX	0017-00101-2015	Pulley Set Screws
DS-072	XHC, RCX, CLS, RHX	0017-00103-0332	Nut
DS-073	XHC, RCX, CLS, RHX	0K53-01183-0000	Machine Key
DS-074	XHC, RCX, CLS, RHX	0017-00101-1866	Bearing-Insert Mounting Screw
DS-075	XHC, RCX, CLS, RHX	0017-00103-0341	Nut for Bearing-Insert Mounting Screw
DS-076	XHC, RCX, CLS, RHX	AK62-00260-0000	Resistor Assembly - includes Power Control Cable
DS-077	XHC, RCX, CLS, RHX	M0K62-01223-0000	Intermediate Shaft
DS-078	XHC, RCX, CLS, RHX	0K62-01135-0000	J10-Flexonic Belt



# Crank Arm Pulley Assembly

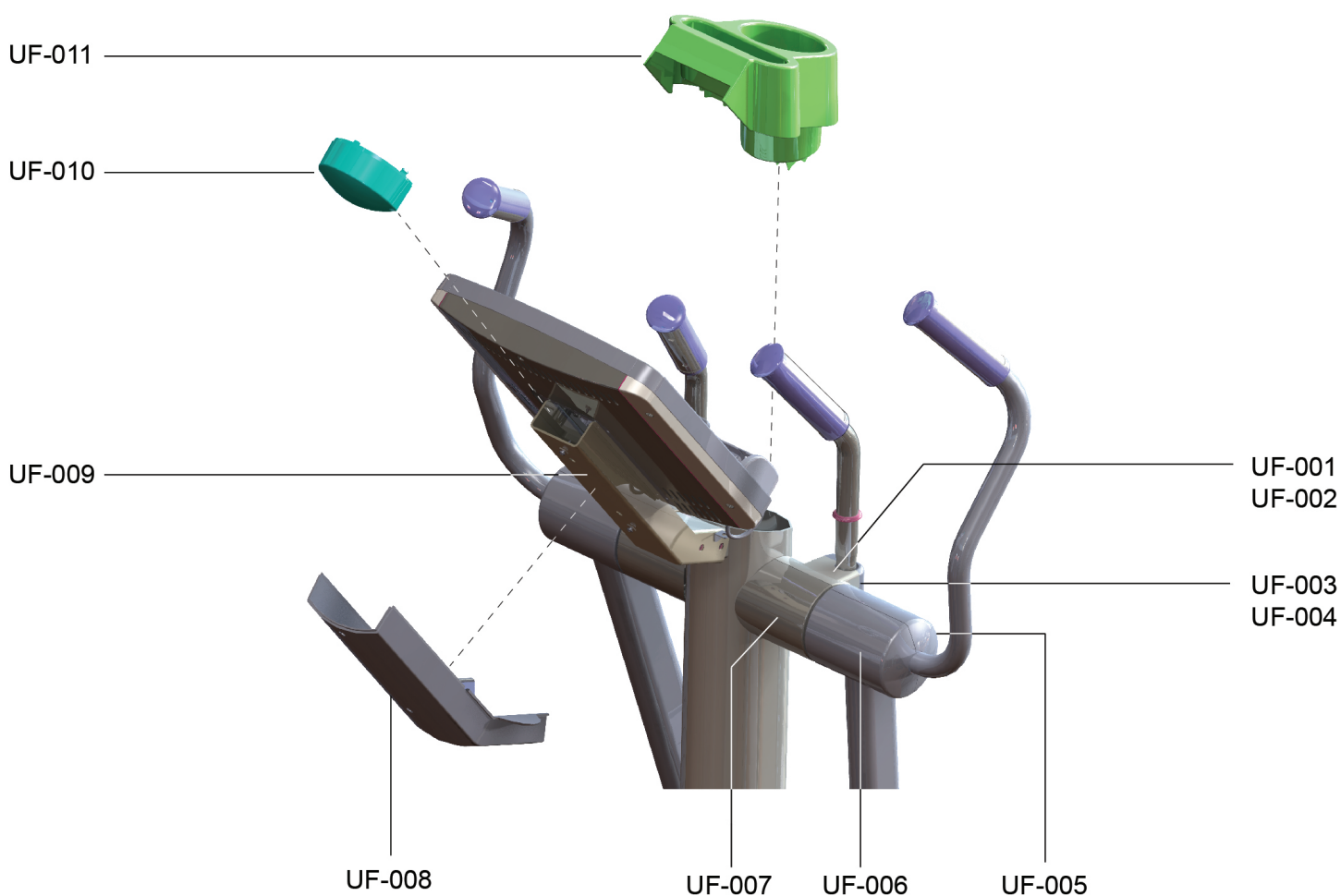


## Parts List

Item	Alpha Code	Part Number	Description
DS-041	XHC, RCX, CLS, RHX	0017-00101-1823	Set Screw
DS-042	XHC, RCX, CLS, RHX	MAK62-00205-0000	Crank Arm Weld Assembly
DS-043	XHC, RCX, CLS, RHX	0017-00100-0107	Retaining Ring
DS-044	XHC, RCX, CLS, RHX	0K61-02409-0000	Poly-V Crank Pulley
DS-045	XHC, RCX, CLS, RHX	MOK61-02302-0001	Crankshaft Plate
DS-046	XHC, RCX, CLS, RHX	0017-00101-1834	Crankshaft Plate Mounting Screw (4)
DS-047	XHC, RCX, CLS, RHX	AK62-00186-0000	Magnetic-Standoff Assembly
DS-048	XHC, RCX, CLS, RHX	0017-00101-1860	Crank Arm Mounting Bolt
DS-049	XHC, RCX, CLS, RHX	0017-00104-0144	Washer
DS-050	XHC, RCX, CLS, RHX	0017-00101-1835	Magnetic Mounting Screw
DS-051	XHC, RCX, CLS, RHX	0017-00103-0334	Nut

# Upper Frame System (UF)

## Console Support and Deadshaft Covers

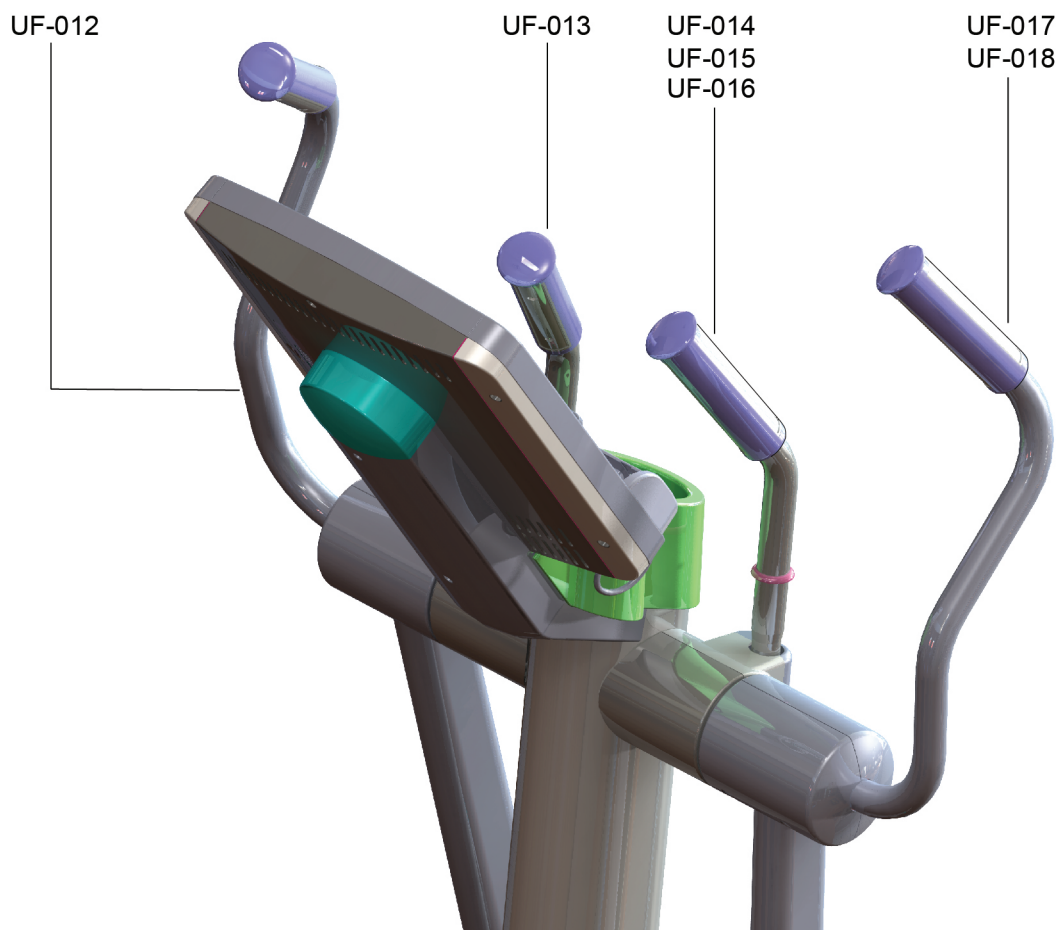


### Parts List

Item	Alpha Code	Part Number	Description
UF-001	XHC, RCX, CLS, RHX	M0K62-01011-0201	Left Inside-Back Deadshaft Cover
UF-002	XHC, RCX, CLS, RHX	M0K62-01010-0201	Right Inside-Back Deadshaft Cover
UF-003	XHC, RCX, CLS, RHX	M0K62-01008-0202	Left Bullhorn Cover
UF-004	XHC, RCX, CLS, RHX	M0K62-01007-0202	Right Bullhorn Cover
UF-005	XHC, RCX, CLS, RHX	M0K62-01013-0201	Outside Front Deadshaft Cover (2)
UF-006	XHC, RCX, CLS, RHX	M0K62-01012-0201	Outside Rear Deadshaft Cover (2)
UF-007	XHC, RCX, CLS, RHX	0K62-01009-0201	L&R Inside-Front Deadshaft Cover (2 total)
UF-008	XHC, RCX, CLS, RHX	0K62-01023-0402	Console Support Shroud
UF-009	XHC, RCX, CLS, RHX	MAK62-00123-0101	Console Support
UF-010	XHC, RCX, CLS, RHX	0K62-01030-0202	Console Support Cap
UF-011	XHC, RCX, CLS, RHX	0K62-01022-0202	Accessory Tray



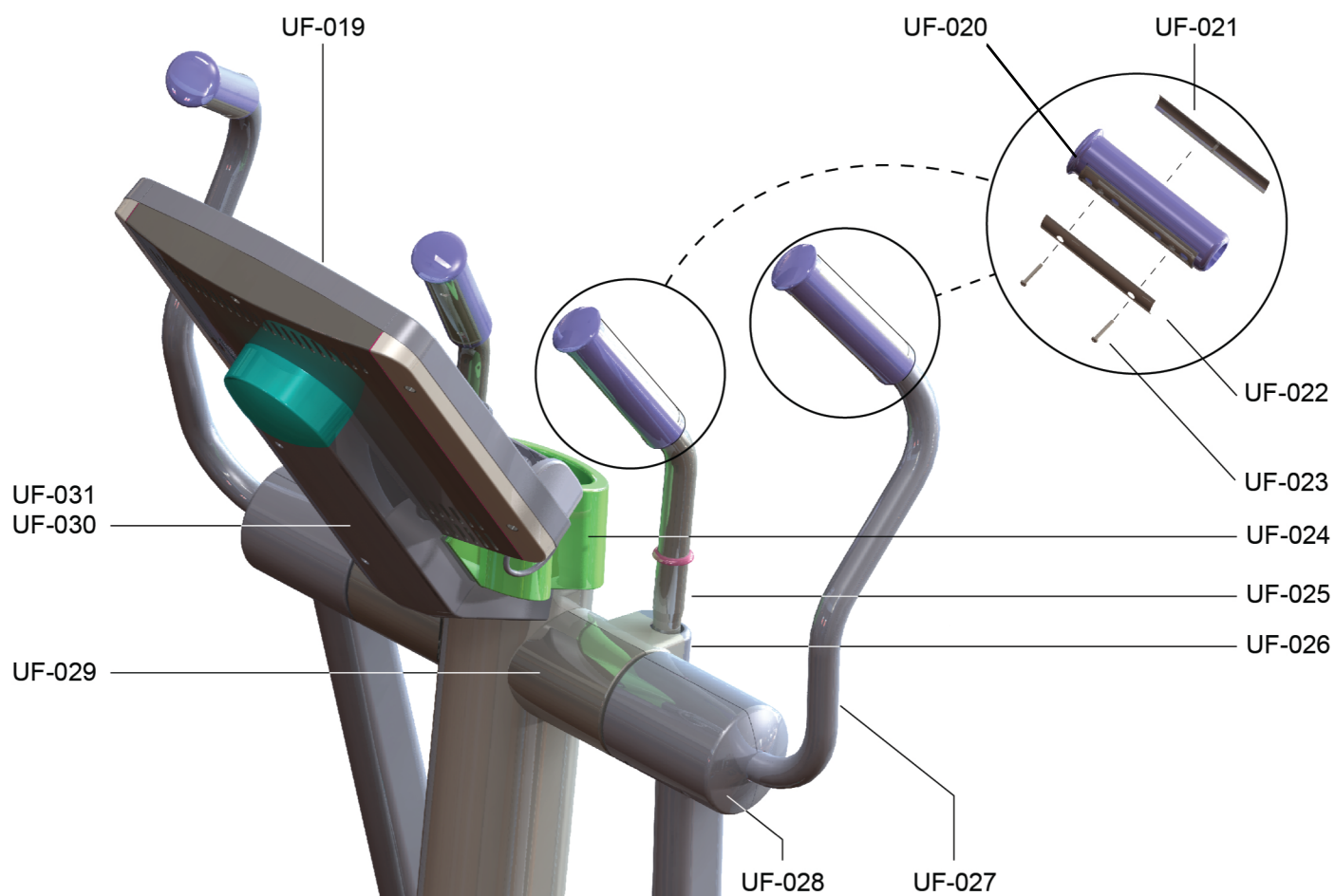
## Handlebars and Bullhorns



### Parts List

Item	Alpha Code	Part Number	Description
UF-012	XHC, RCX, CLS, RHX	MAK62-00128-5203	Right Handlebar
UF-013	XHC, RCX, CLS, RHX	MAK62-00362-5102	Right Bullhorn Assembly
UF-014	XHC, RCX, CLS, RHX	MAK62-00363-5102	Left Bullhorn Assembly
UF-015	XHC, RCX, CLS, RHX	AK47-0029-0000	Bullhorn Heart Rate Cable (one per Bullhorn)
UF-016	XHC, RCX, CLS, RHX	MOK62-01199-0203	Bullhorn Gasket
UF-017	XHC, RCX, CLS, RHX	MAK62-00129-5203	Left Handlebar
UF-018	XHC, RCX, CLS, RHX	AK61-00051-0001	Handlebar Heart Rate Cable (one per Handlebar)

## Upper Frame Hardware

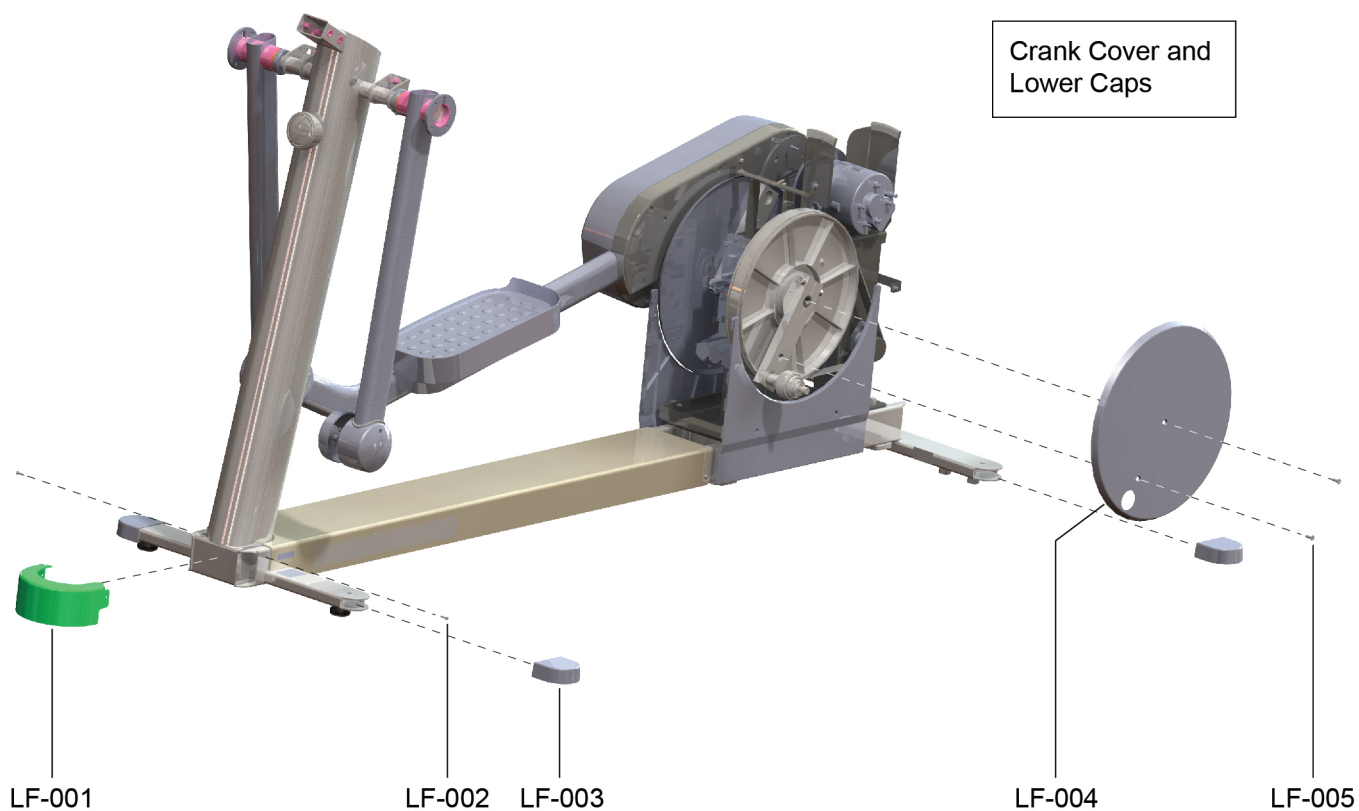


### Parts List

Item	Alpha Code	Part Number	Description
UF-019	XHC, RCX, CLS, RHX	0017-00101-1796	Console Mounting screws (4)
UF-020	XHC, RCX, CLS, RHX	M0K62-01137-0202	Grip; Handle; Molded
UF-021	XHC, RCX, CLS, RHX	AK60-00079-0203	Electrode - top
UF-022	XHC, RCX, CLS, RHX	AK60-00080-0203	Electrode - bottom
UF-023	XHC, RCX, CLS, RHX	0017-00101-1462	6-19x16 PHL PAN Screw
UF-024	XHC, RCX, CLS, RHX	0017-00101-1846	Accessory Tray Mounting screws (2)
UF-025	XHC, RCX, CLS, RHX	0017-00101-2041	Bullhorn Mounting Screws (2 per side)
UF-026	XHC, RCX, CLS, RHX	0017-00101-1854	Bullhorn Cover Screws
UF-027	XHC, RCX, CLS, RHX	0017-00101-2040	Handlebar Mounting Screws (3 per side)
UF-028	XHC, RCX, CLS, RHX	0017-00101-1796	Outside Deadshaft Cover Screws (2 per side)
UF-029	XHC, RCX, CLS, RHX	0017-00101-1796	Inside Deadshaft Cover Screws (2 per side)
UF-030	XHC, RCX, CLS, RHX	0017-00101-1796	Console Support Shroud Mounting Screws
UF-031	XHC, RCX, CLS, RHX	0017-00101-1791	Console Support Mounting Screws (6)

# Lower Frame System (LF)

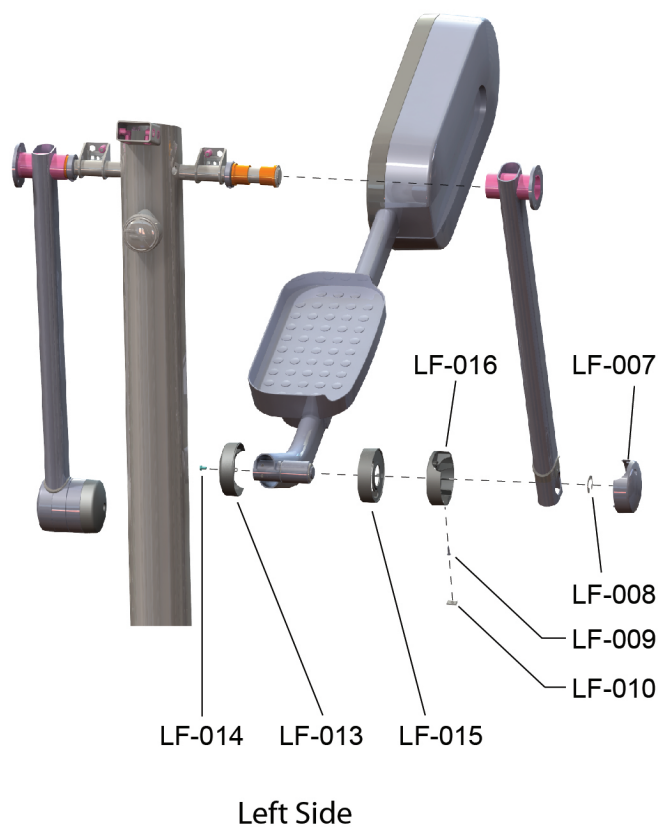
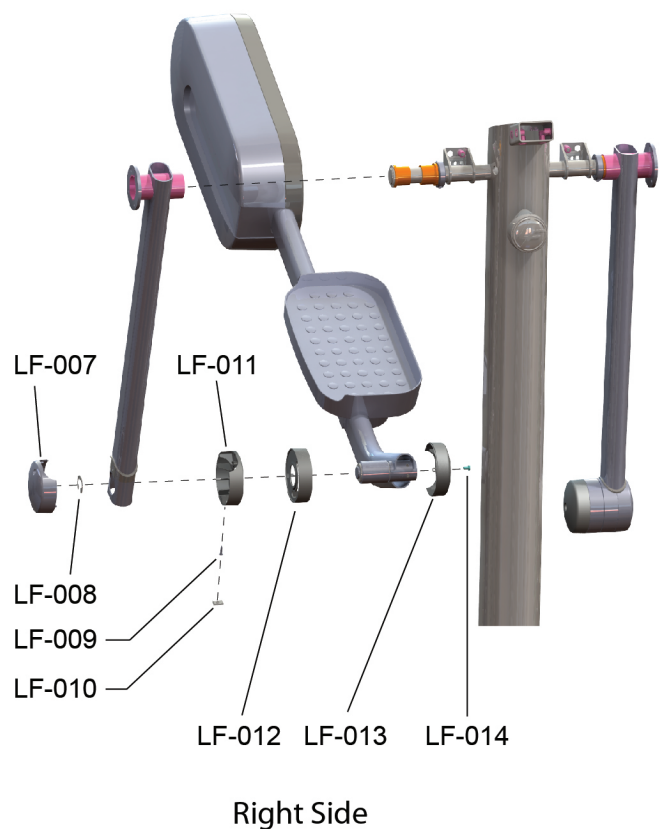
## Crank Cover and Lower Caps



### Parts List

Item	Alpha Code	Part Number	Description
LF-001	XHC, RCX, CLS, RHX	0K62-01004-0203	Front Frame Cap (1)
LF-002	XHC, RCX, CLS, RHX	0017-00101-1795	Mounting Screws (2)
LF-003	XHC, RCX, CLS, RHX	0K68-01130-0200	Stabilizer Caps (4)
LF-004	XHC, RCX, CLS, RHX	0K61-03100-5104	Crank Cover (2)
LF-005	XHC, RCX, CLS, RHX	0017-00101-1837	Mounting Screws (4)

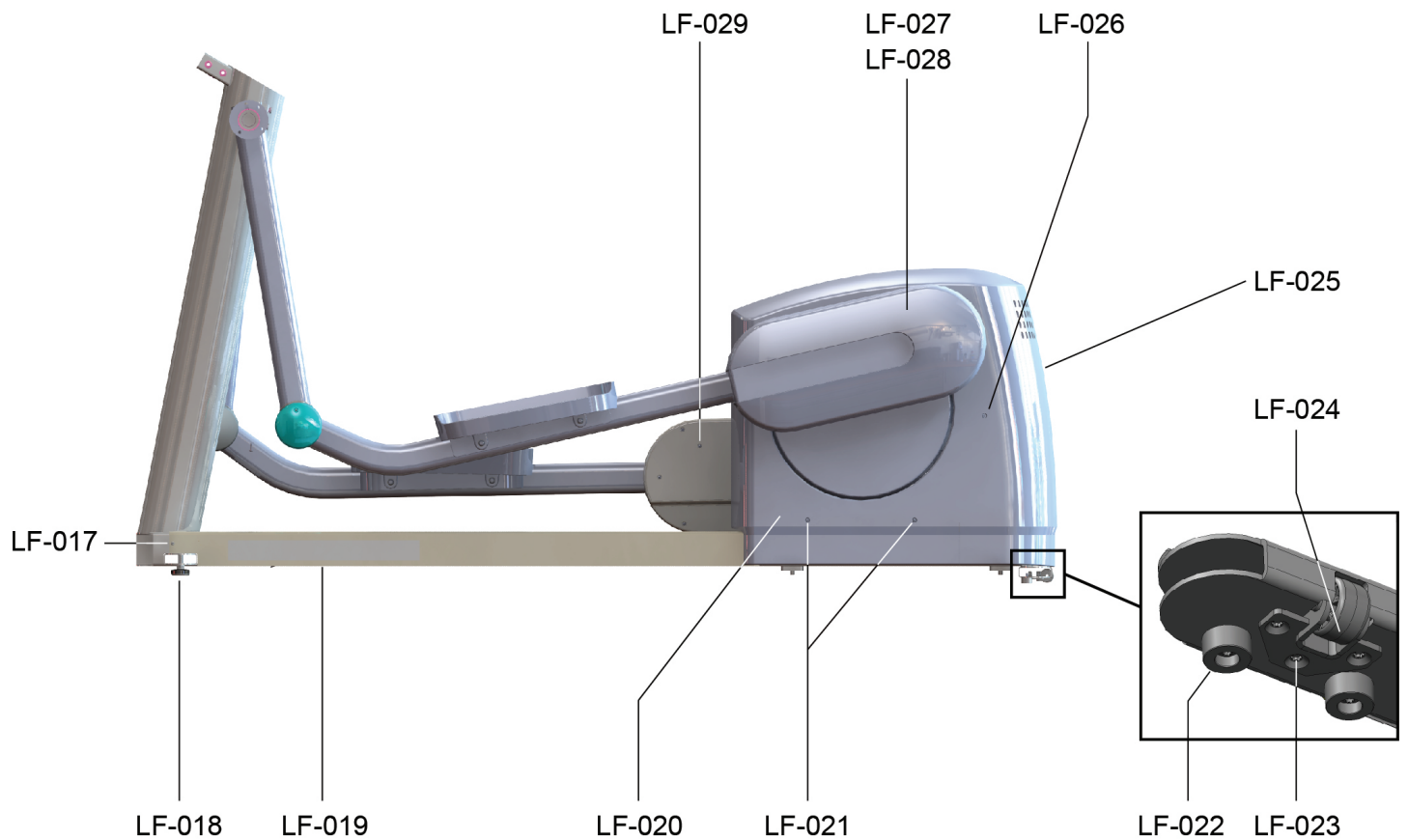
# Rocker Cover Assembly



## Parts List

Item	Alpha Code	Part Number	Description
LF-006	XHC, RCX, CLS, RHX	AK62-00188-0002	Rocker Cover Kit - includes items in asterisk (*)
LF-007*	XHC, RCX, CLS, RHX		End Cap
LF-008	XHC, RCX, CLS, RHX	0017-00100-0107	Snap Ring
LF-009*	XHC, RCX, CLS, RHX		Screw, Phillips Head
LF-010*	XHC, RCX, CLS, RHX		Clip
LF-011	XHC, RCX, CLS, RHX	0K62-01038-0201	Right Inside Rocker Cover
LF-012	XHC, RCX, CLS, RHX	0K62-01039-0201	Right Inside Lever Joint Cover
LF-013	XHC, RCX, CLS, RHX	0K62-01035-0201	Outside Pedal Joint Cover
LF-014	XHC, RCX, CLS, RHX	0017-00101-1836	Mounting Screw
LF-015	XHC, RCX, CLS, RHX	0K62-01037-0201	Left Inside Lever Joint Cover
LF-016	XHC, RCX, CLS, RHX	0K62-01040-0201	Left Inside Rocker Cover

## Lower Frame Shrouds and Hardware



### Parts List

Item	Alpha Code	Part Number	Description
LF-017	XHC, RCX, CLS, RHX	0017-00101-1795	Ladder Frame Mounting Screws
LF-018	XHC, RCX, CLS, RHX	AK62-00124-0000	Leg Levelers
LF-019	XHC, RCX, CLS, RHX	M0K62-01120-5104	Ladder Frame Cover w/Decal
LF-020	XHC, RCX, CLS, RHX	0K62-01002-0204	Shroud Panel
LF-021	XHC, RCX, CLS, RHX	0017-00101-1795	Shroud Panel Mounting Screws (2 per side)
LF-022	XHC, RCX, CLS, RHX	0K62-01121-0000	Foot Pad (4)
LF-023	XHC, RCX, CLS, RHX	M0017-00101-1789	Wheel/Bracket Assembly Mounting Screws (3 per assy)
LF-024	XHC, RCX, CLS, RHX	AK62-00102-0002	Wheel/Bracket Assembly
LF-025	XHC, RCX, CLS, RHX	AK62-00223-0201	Rear Shroud Assembly
LF-026	XHC, RCX, CLS, RHX	0017-00101-1796	Rear Shroud Assembly Mounting Screws (2 per side)
LF-027	XHC, RCX, CLS, RHX	AK62-00391-0001	Left Link Cover w/Decal
"	XHS	AK62-00391-0002	Left Link Cover w/Decal (INT CT)
LF-028	XHC, RCX, CLS, RHX	AK62-00390-0001	Right Link Cover w/Decal
"	XHS	AK62-00390-0002	Right Link Cover w/Decal (INT CT)
LF-029	XHC, RCX, CLS, RHX	0017-00101-1796	Link Cover Mounting Screws (6 per cover)

# Wiring

## Cable Chart

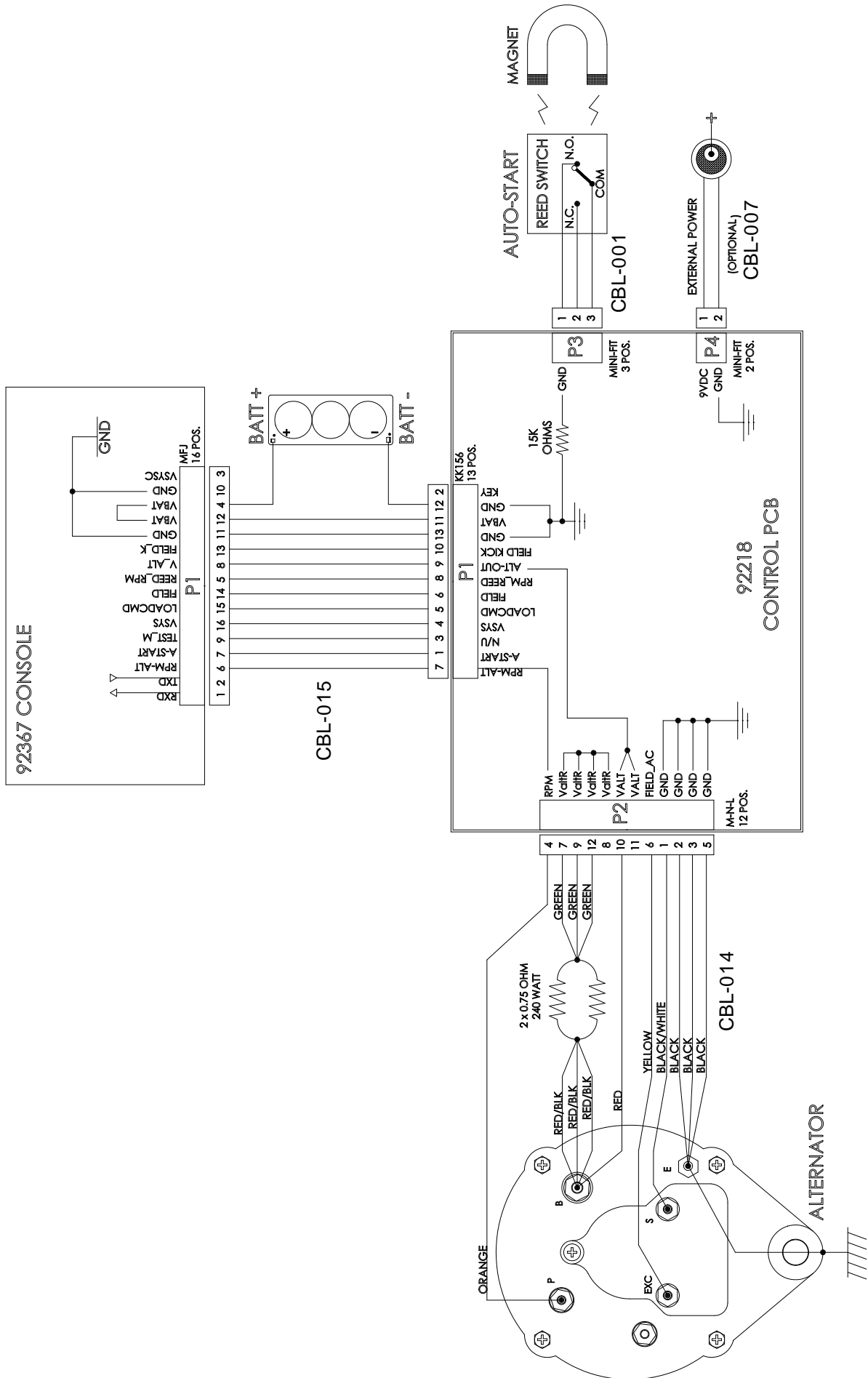
### Parts List

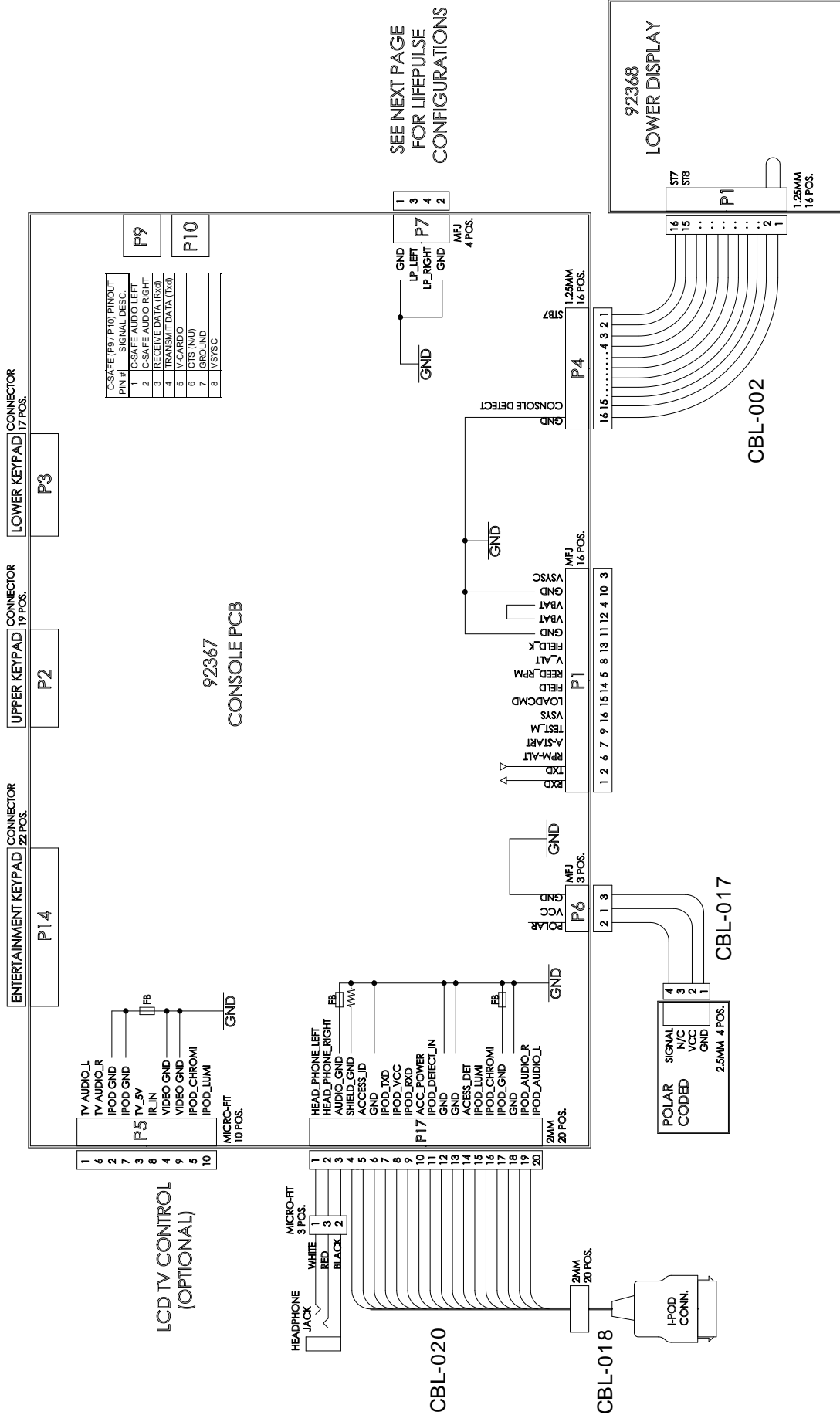
Item	Alpha Code	Part Number	Description
CBL-001	XHC, RCX, CLS, RHX	118E-00001-0140	Switch; Reed; SPST
CBL-002	XHC, RCX, CLS, RHX	118E-00001-0266	Lower Display Cable; FFC 16 Pin 1.25mm; 7in.
CBL-003	XHC, RCX, CLS, RHX	AK32-00020-0002	Coax Cbl Assy - 120 in.
CBL-004	XHC, RCX, CLS, RHX	AK32-00078-0001	Power Extension Cbl Assy - 120 in
CBL-005	XHC, RCX, CLS, RHX	AK32-00124-0002	Headphone Jack Cbl Assy - 3.5mm
CBL-006	XHC, RCX, CLS, RHX	AK47-00029-0000	Lifepulse - CLSXH
CBL-007	XHC, RCX, CLS, RHX	AK47-00063-0001	DC Power
CBL-008	XHC, RCX, CLS, RHX	AK61-00051-0001	Lifepulse - User-Arm
CBL-009	XHC, RCX, CLS, RHX	AK61-00052-0002	Lifepulse - Console
CBL-014	XHC, RCX, CLS, RHX	AK62-00092-0000	Power-Control - CLSXH
CBL-015	XHC, RCX, CLS, RHX	AK62-00093-0000	Console - CLSXH
CBL-016	XHC, RCX, CLS, RHX	AK62-00375-0000	Lifepulse - Y-Split - CLSXH
CBL-017	XHC, RCX, CLS, RHX	AK69-00157-0000	Polar
CBL-018	XHC, RCX, CLS, RHX	AK86-00087-0200	iPod Cbl Assy - non-tread
CBL-019	XHC, RCX, CLS, RHX	AK86-00002-0000	iPod Cbl Assy - non-tread
CBL-020	XHC, RCX, CLS, RHX	AK86-00003-0000	Console iPod - non-tread

To find the part number for a cable, identify the cable item number in the wiring diagrams on the following pages. Then locate that number in the table above and match it with the corresponding part number.

# Wiring Diagram

## Control PCB







# LCD TV, Heart Rate Handles

